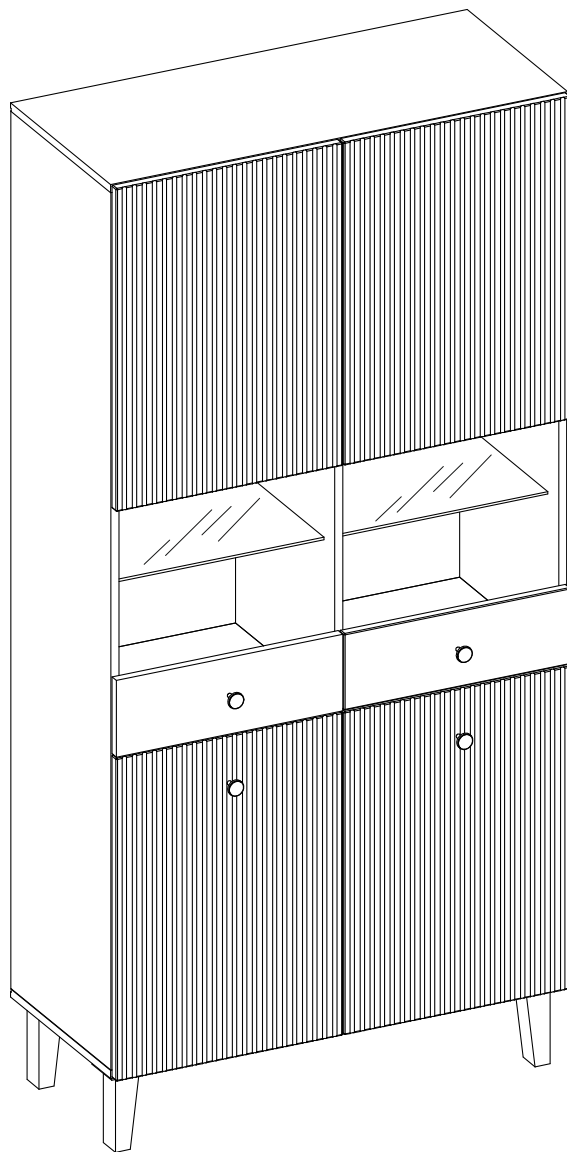
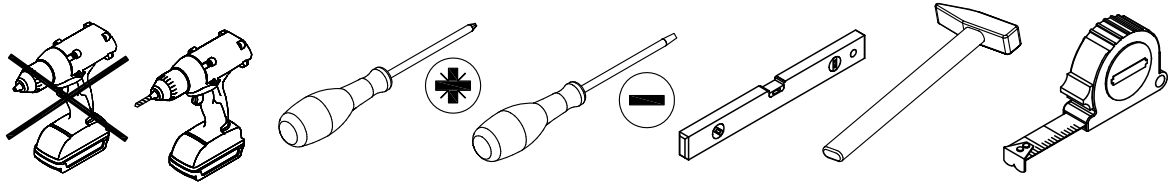


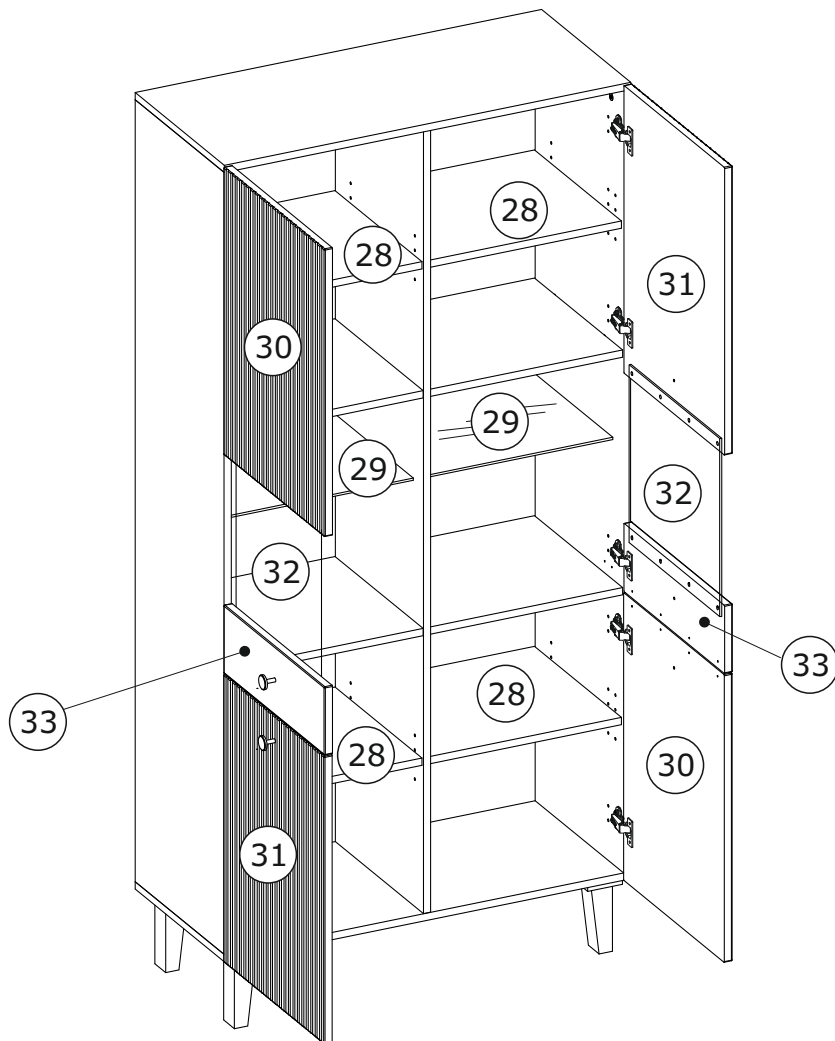
Berlin

Glass cabinet 4D



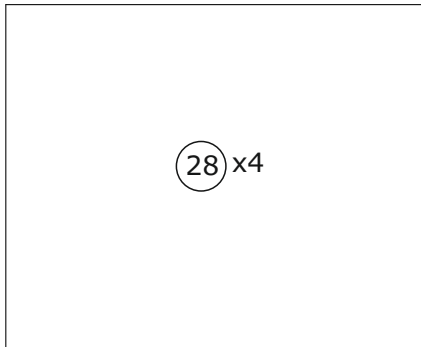


<p>H x 4</p>	<p>I x 1</p>	<p>J x 21</p> <p>3,5x16 mm</p>	<p>O x 16</p> <p>Ø5mm</p>	<p>P x 4</p>	<p>R x 10</p>
<p>S x 10</p>	<p>T x 16</p> <p>4x20 mm</p>	<p>Y x 8</p>	<p>Z x 16</p> <p>4x16 mm</p>	<p>AA x 16</p>	

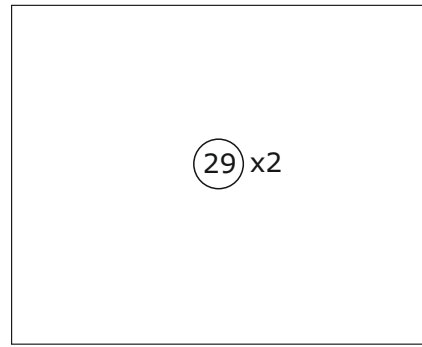




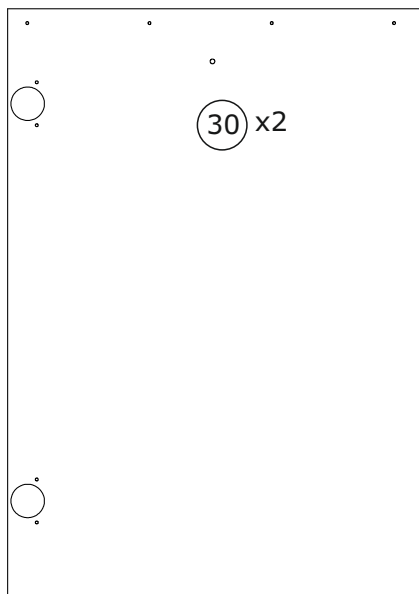
BOX 1/1:



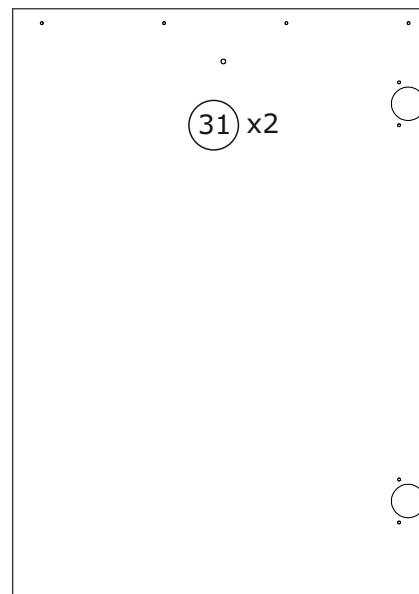
431x390x16 mm



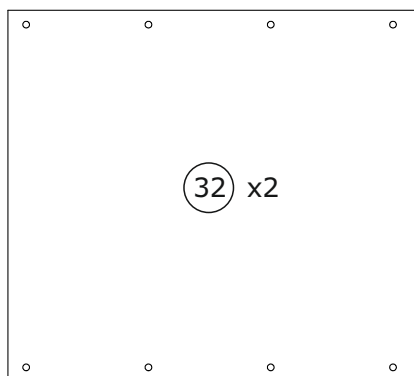
429x355x5 mm



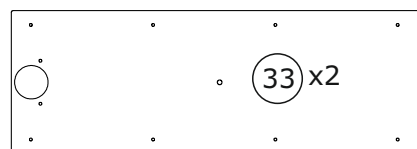
632x452x18 mm



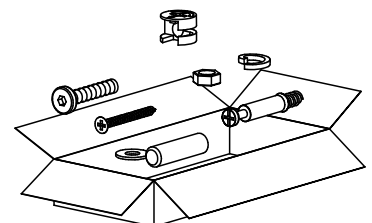
632x452x18 mm



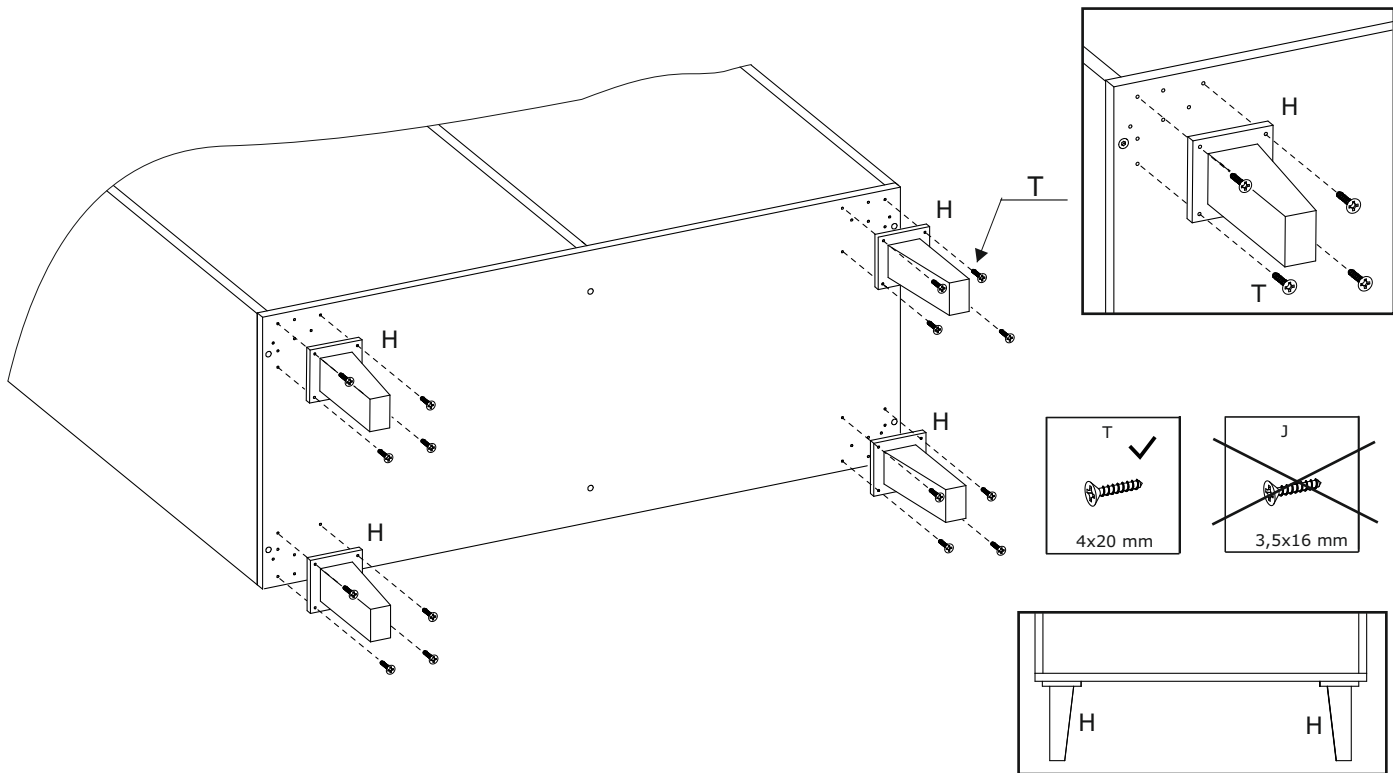
425x391x4 mm



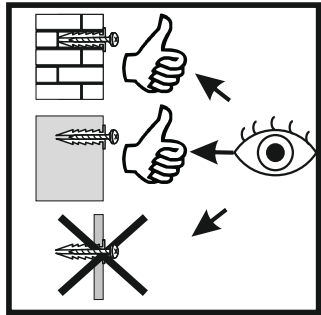
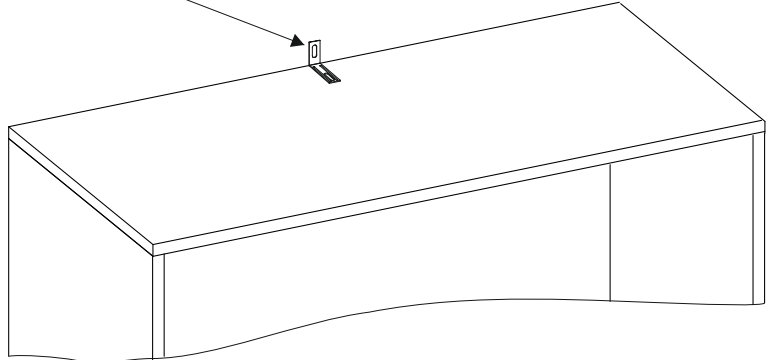
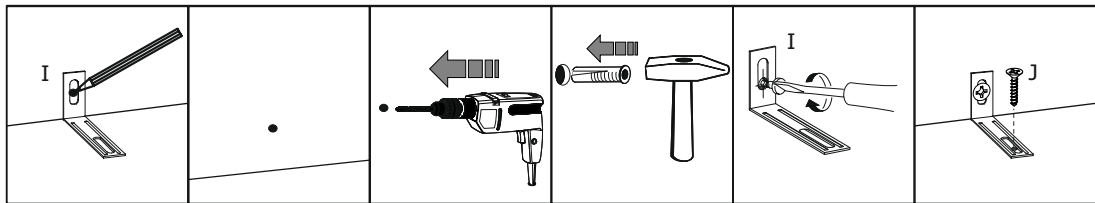
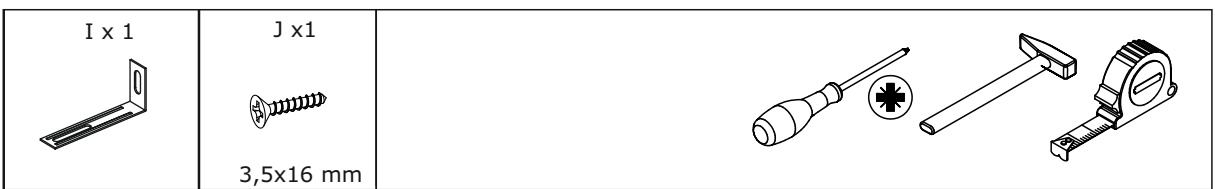
452x150x18 mm



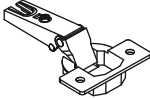
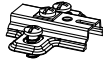

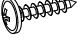

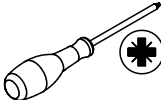
1

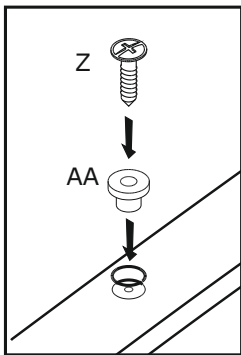
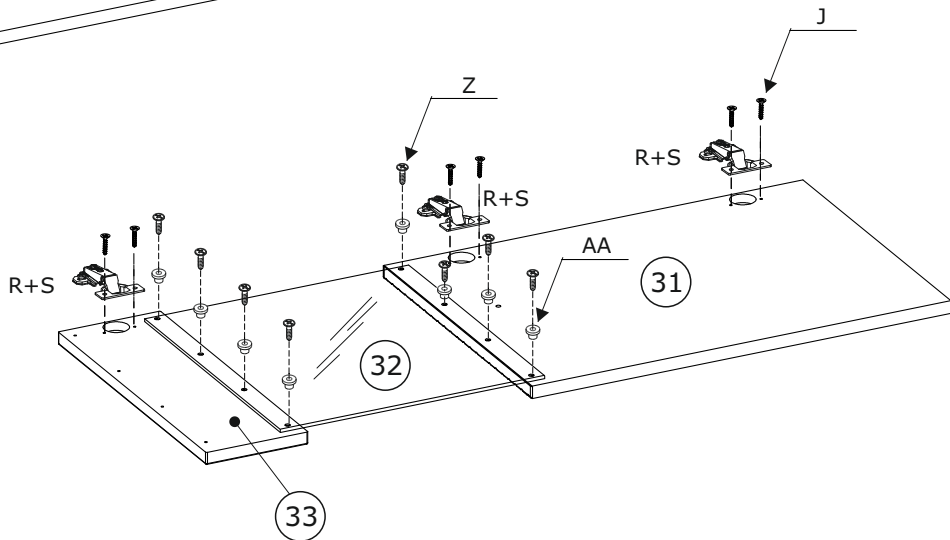
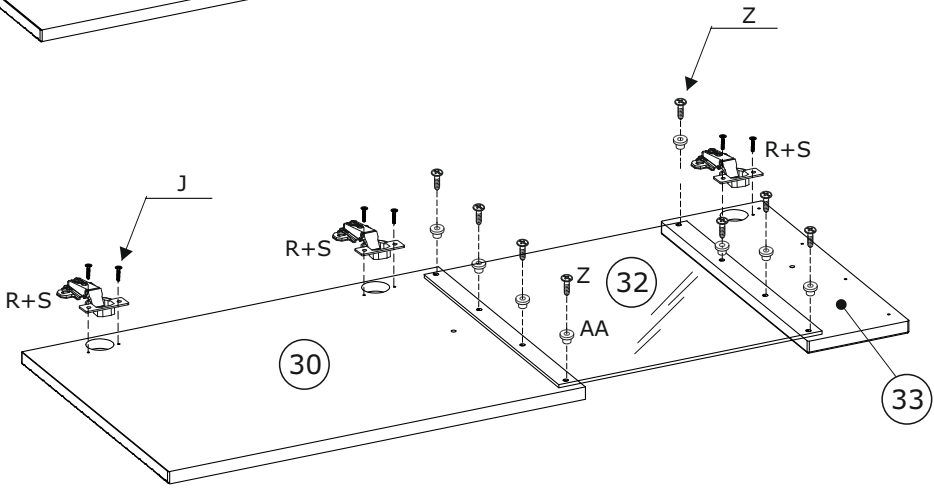
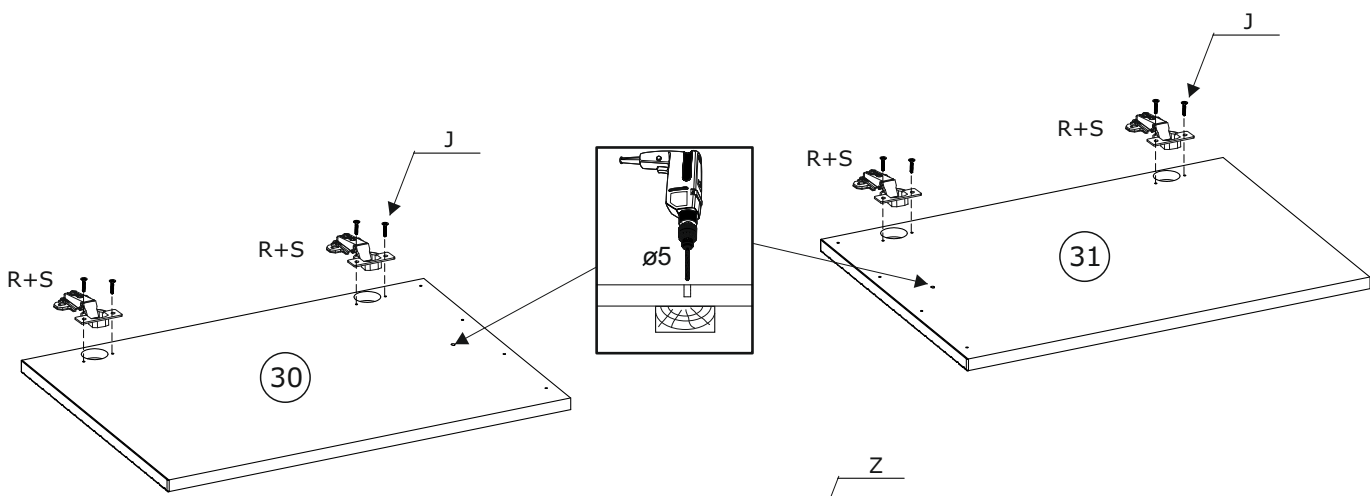
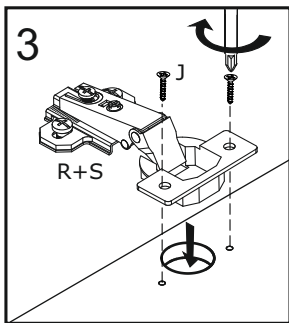
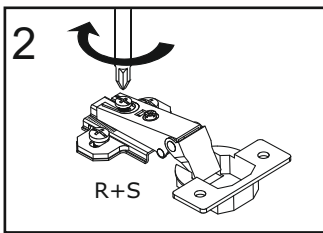
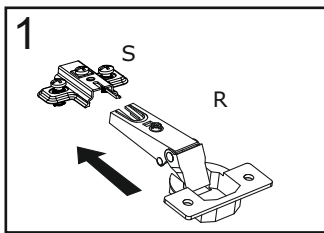


2

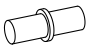
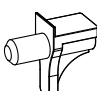
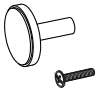
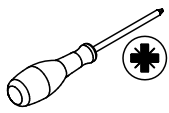


3

R x 10 	S x 10 	J x 20 3,5x16 mm 	Z x 16 4x16 mm 	AA x 16 	
---	---	--	--	--	---



4

O x 16  Ø6,3x13 mm	Y x 8 	P x 4 	
---	--	--	---

