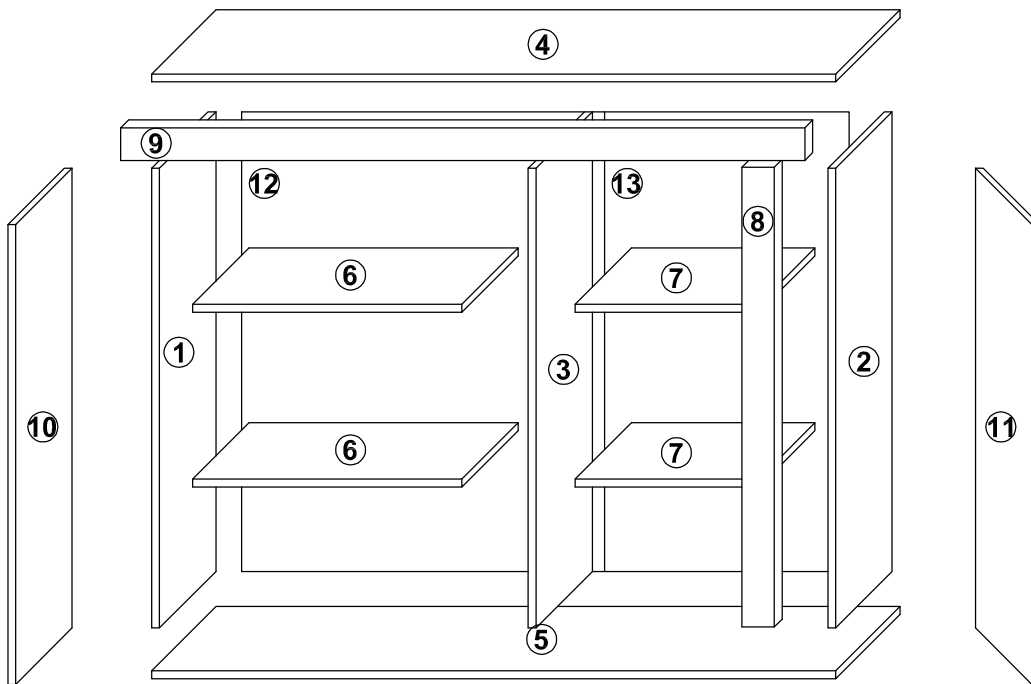
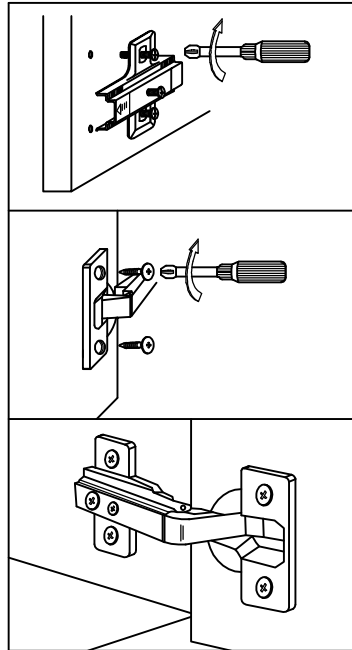
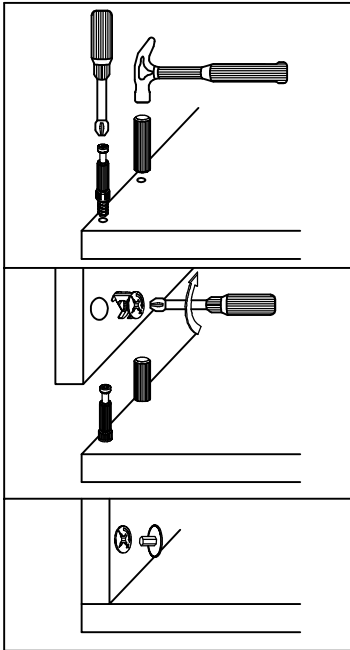
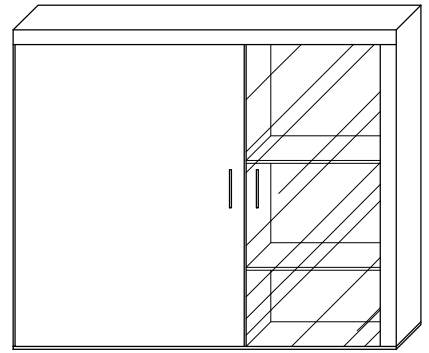
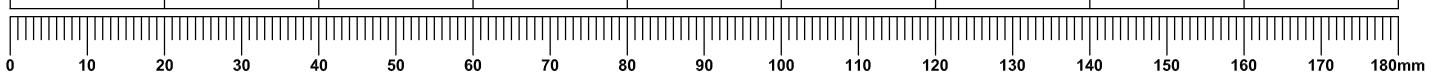


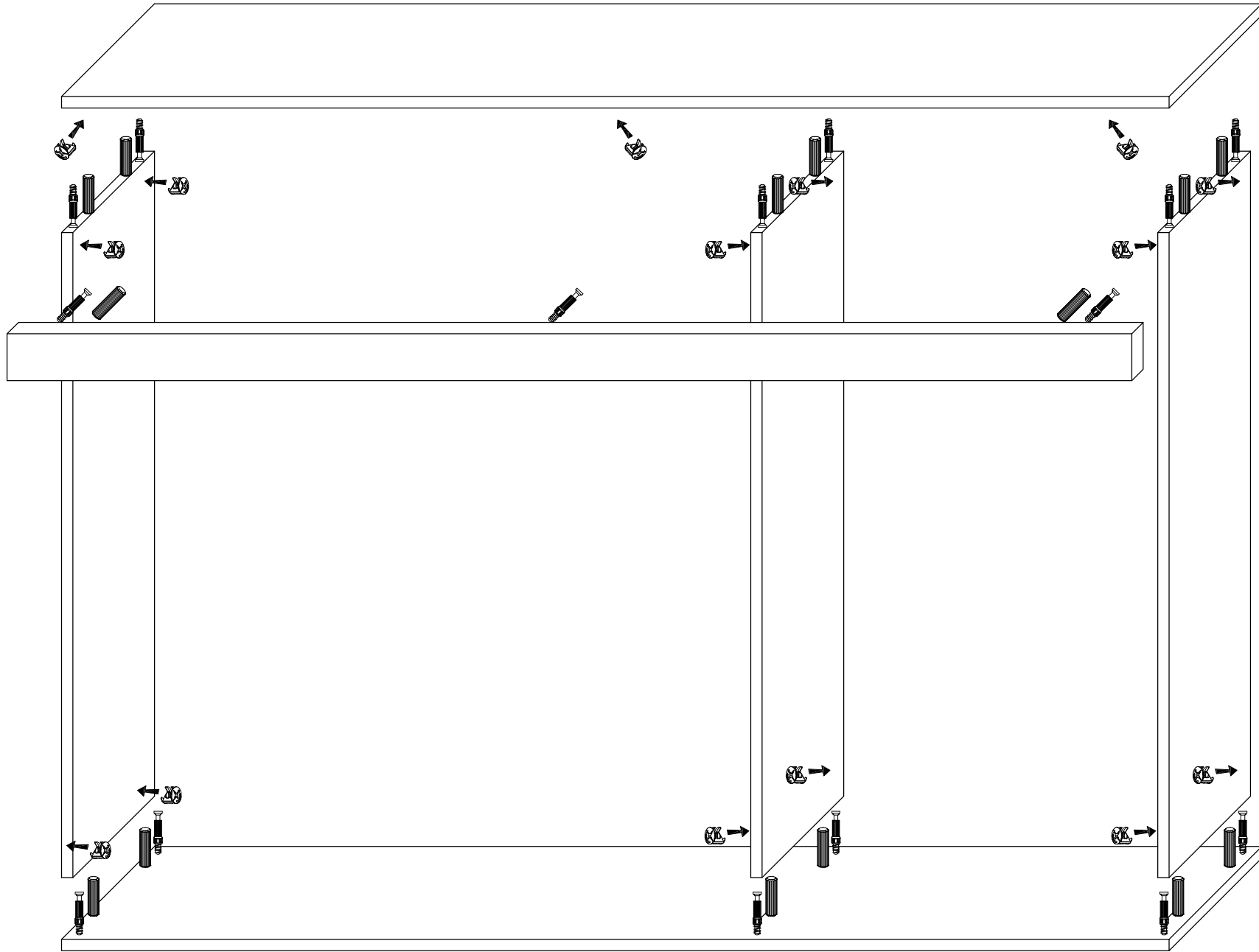
# SAMBA - NR 4



|     |    |       |     |     |       |        |    |       |
|-----|----|-------|-----|-----|-------|--------|----|-------|
|     |    |       |     |     |       |        |    |       |
| T1  | M1 | Z1    | K30 | U1  | W4x27 | K10x60 | ZA | W4x30 |
| 18  | 18 | 18    | 16  | 2   | 2     | 3      | 3  | 6     |
|     |    |       |     |     |       |        |    |       |
| ODB | PK | W4x16 | STB | ZRS | PZRS  | ZP     | PZ | PP    |
| 2   | 2  | 6     | 12  | 2   | 2     | 2      | 2  | 16    |



1



2

