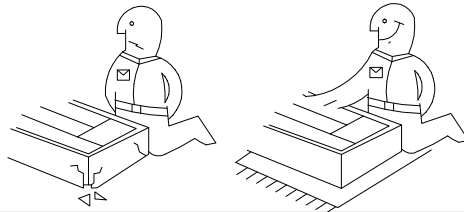
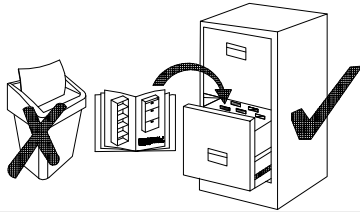
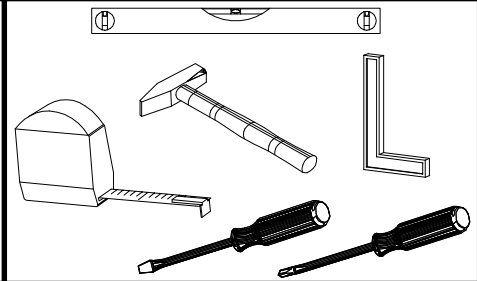
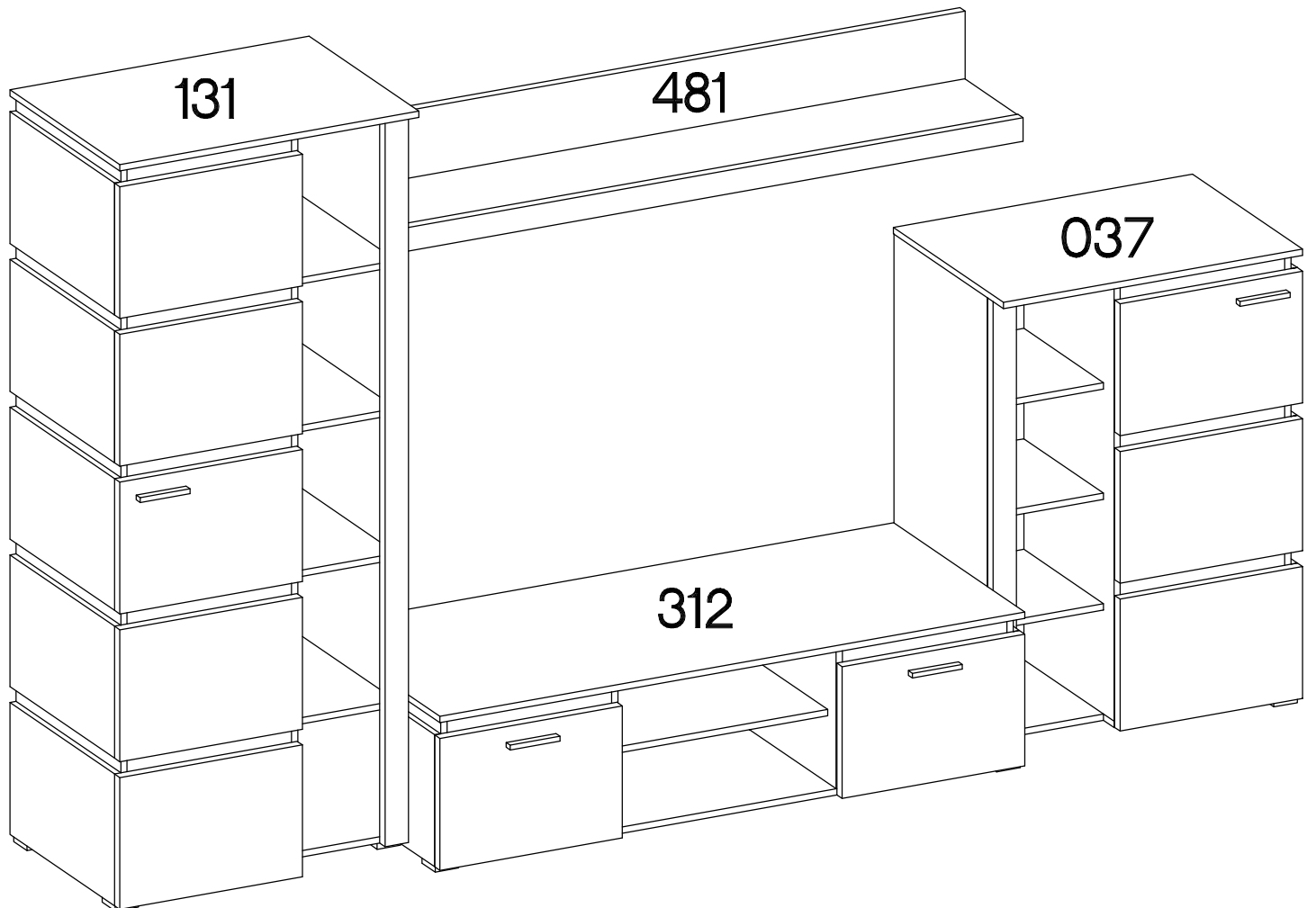


# FARO



Faro AR 01 



Coli	Ersatzteil Nummer	Dimension
1/6	FAO.201	767x336x16
	FAO.202	454x320x16
	FAO.203	296x288x16
	FAO.301 x3	279x249x16
	FAO.302 x3	421x281x16
	FAO.401	280x250x16
	FAO.402	422x282x16
	FAO.902 x5	468x333x16
	FAO.903 x5	320x333x16

Coli	Ersatzteil Nummer	Dimension
2/6	FAO.101	1849x288x16
	FAO.102	1849x320x16
	FAO.501	1849x298x16
	FAO.601	1858x292x2,5
	FAO.602	1858x434x2,5
	FAO.701	1843x418x16
	FAO.901	1865x60x16

Coli	Ersatzteil Nummer	Dimension
3/6	FAO.204	767x336x16
	FAO.205	454x320x16
	FAO.206	296x288x16
	FAO.301 x2	279x249x16
	FAO.302	421x281x16
	FAO.401	280x250x16
	FAO.402	422x282x16
	FAO.902 x3	468x333x16
	FAO.903 x3	320x333x16

Coli	Ersatzteil Nummer	Dimension
4/6	FAO.103	1103x320x16
	FAO.104	1103x288x16
	FAO.502	1103x298x16
	FAO.603	1112x292x2,5
	FAO.604	1112x434x2,5
	FAO.702	1097x418x16
	FAO.904	1119x60x16

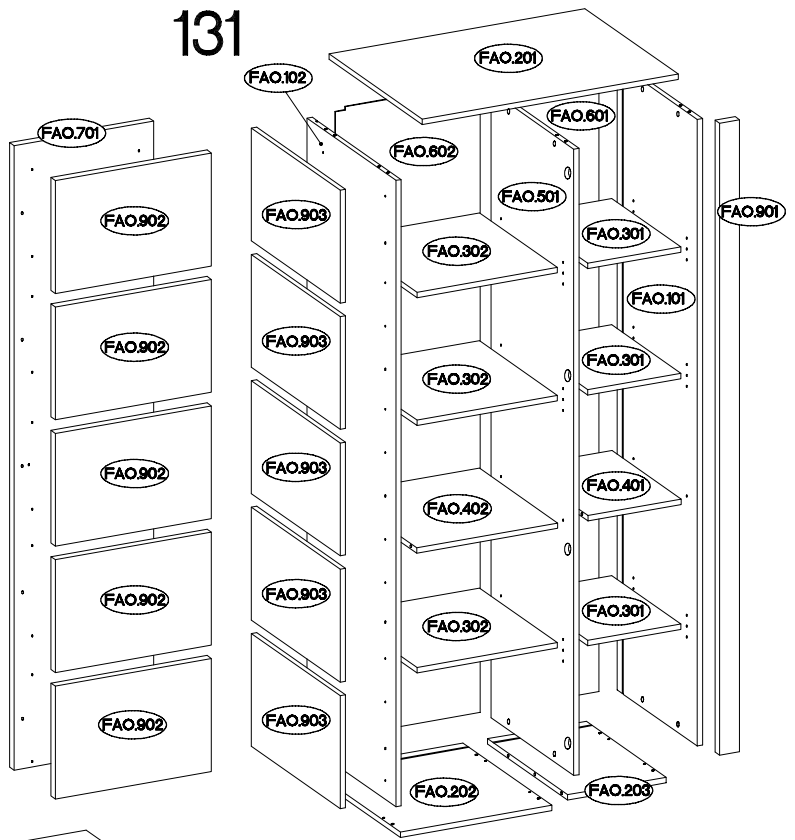
Coli	Ersatzteil Nummer	Dimension
5/6	FAO.105	357x384x16
	FAO.106	357x384x16
	FAO.303	561x352x16
	FAO.503	357x362x16
	FAO.504	357x362x16
	FAO.703 x2	468x333x16
	FAO.905 x2	422x61x16
FAO.906 x2	384x333x16	

Coli	Ersatzteil Nummer	Dimension
6/6	FAO.207	1500x400x16
	FAO.208	1468x384x16
	FAO.605 x2	366x442x2,5
	FAO.304	1598x160x16
	FAO.907	1600x60x16
	FAO.908	1600x230x16

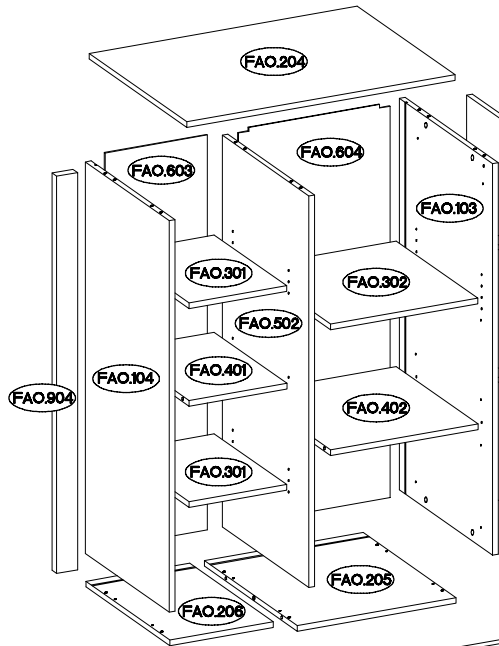
131



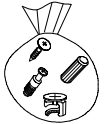
1/6



037

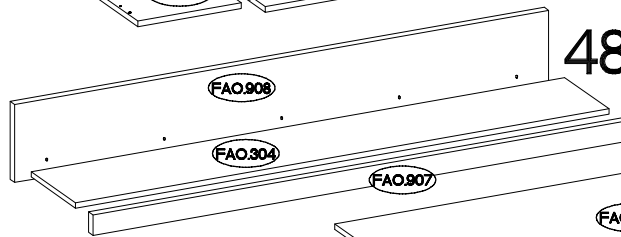


3/6

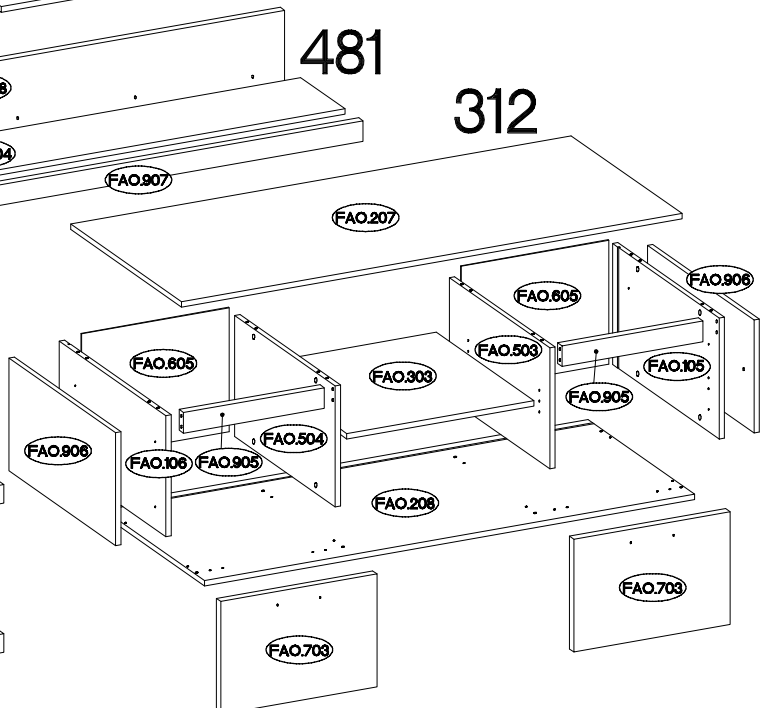


481

312



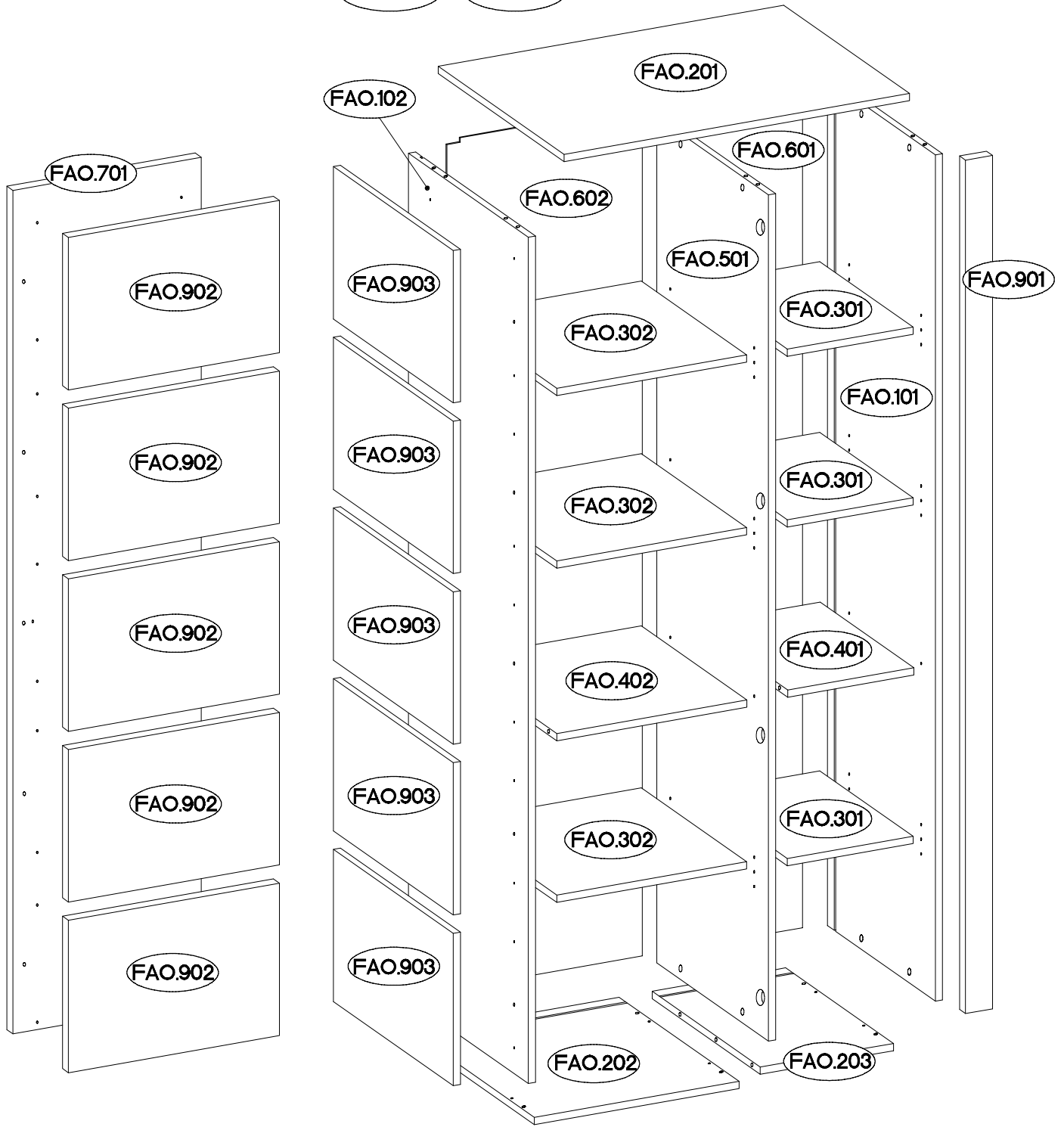
5/6

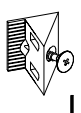

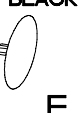
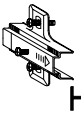
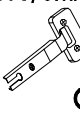

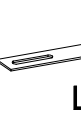



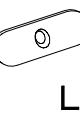
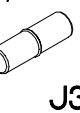


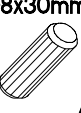
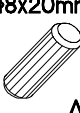
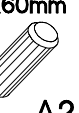
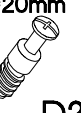
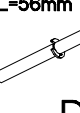

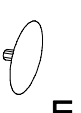
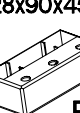

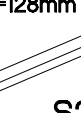



1

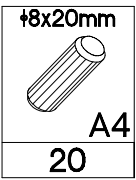
# FARO 131

FAO.301 FAO.302 = max. 5kg  
 FAO.401 FAO.402

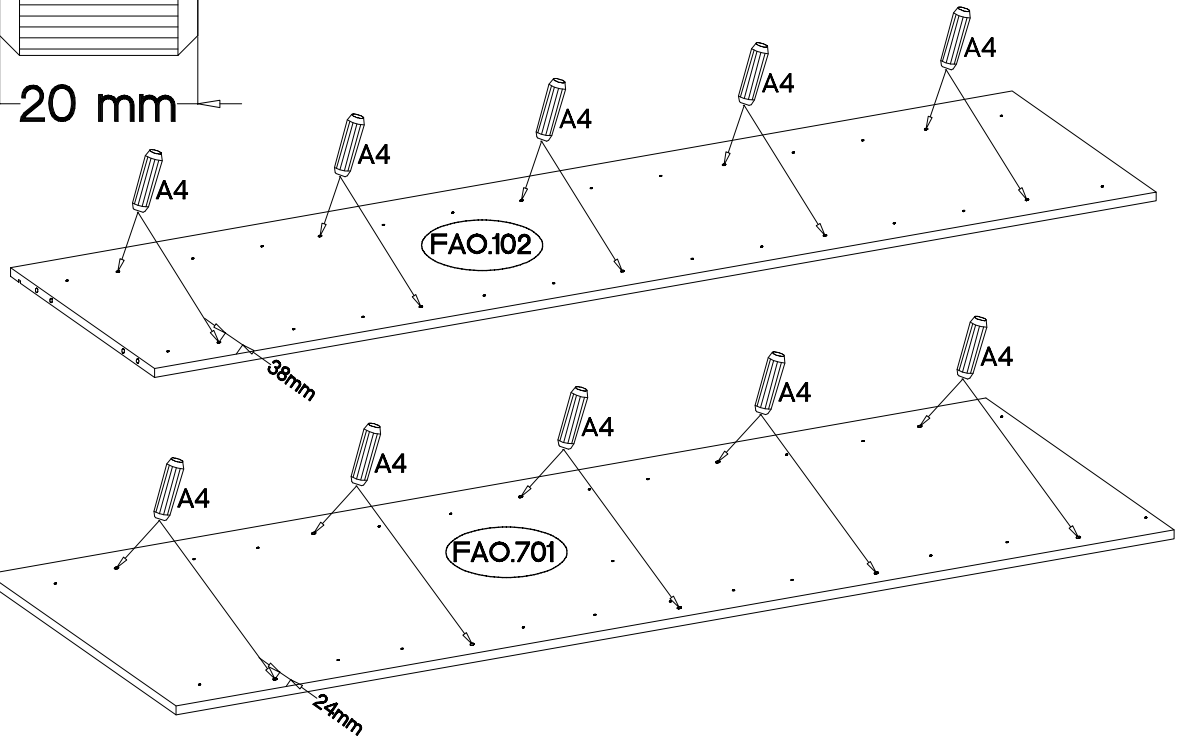
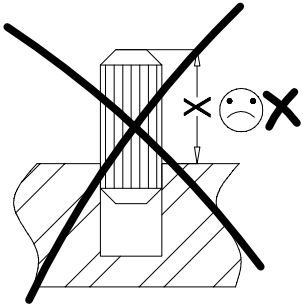
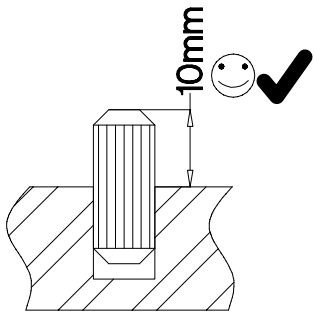
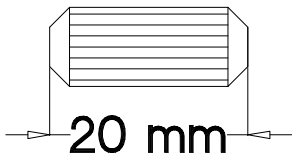


 L	 4.0x25mm BLACK P25	 BLACK E									
10	40	4									
 H=0 H	 35/0mm G	 3.5x13mm P5	 L19 L19	 10x50mm O7	 5.0x60mm P12	 3.0x20mm P7	 L2 L2	 J3 J3	 T9 T9	 4.0x16mm P1	
4	4	12	2	2	2	14	10	24	5	10	
 8x30mm A	 8x20mm A4	 8x60mm A2	 L=20mm D2	 L=56mm D4	 15/12mm C	 E E	 28x90x45 F	 4.0x40mm P3	 L=128mm S21	 4.0x45mm R14	
12	20	2	20	1	22	16	5	15	1	2	

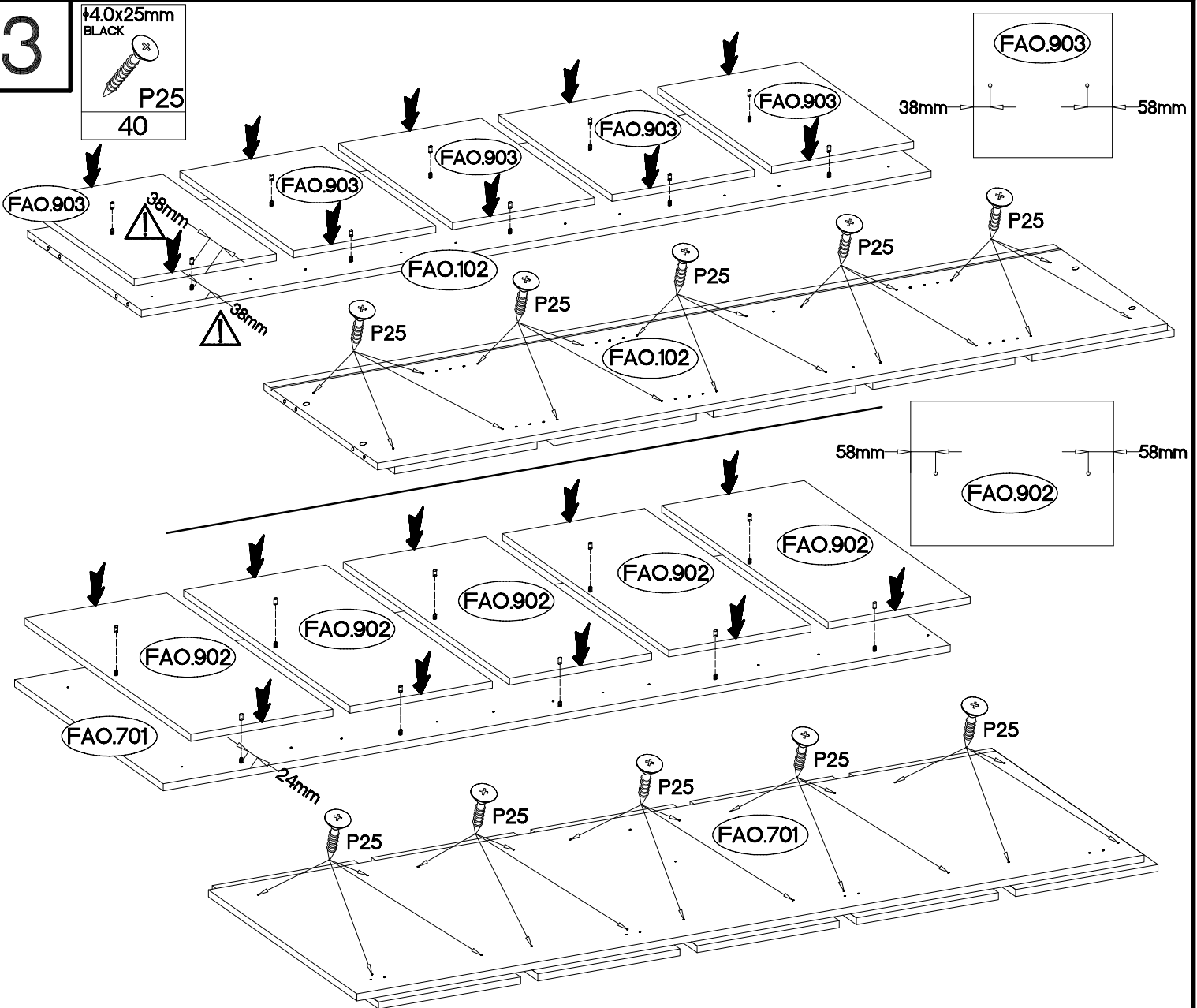
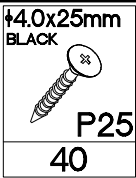
2



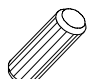
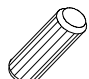
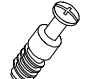
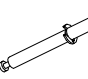
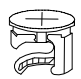
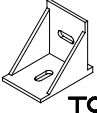

A4

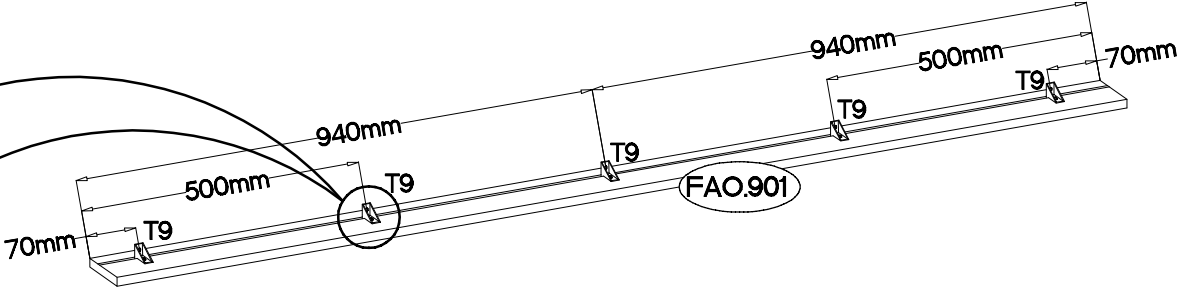
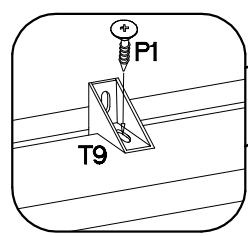
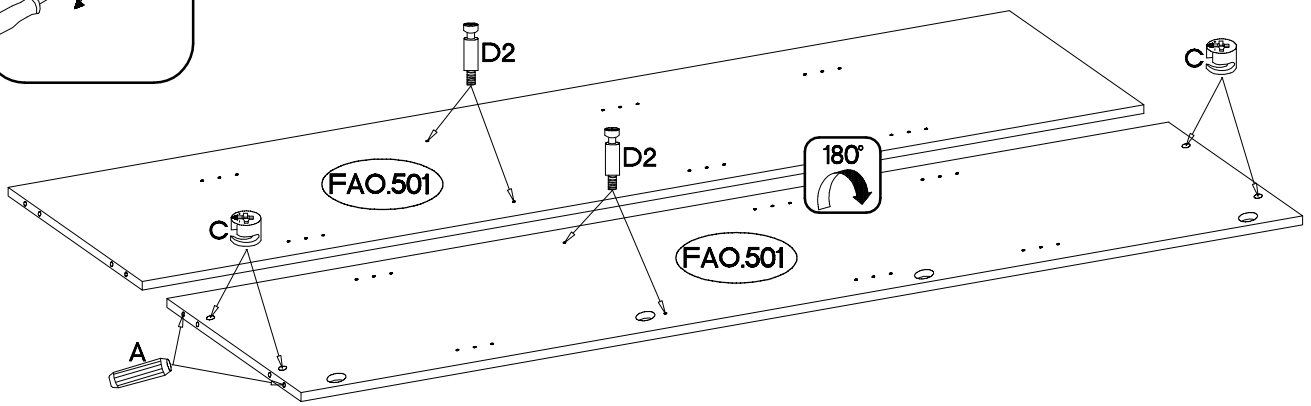
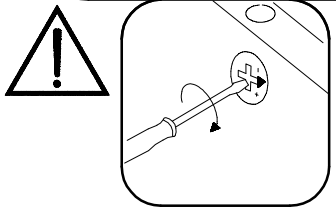
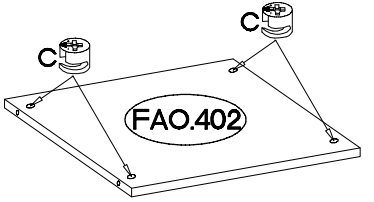
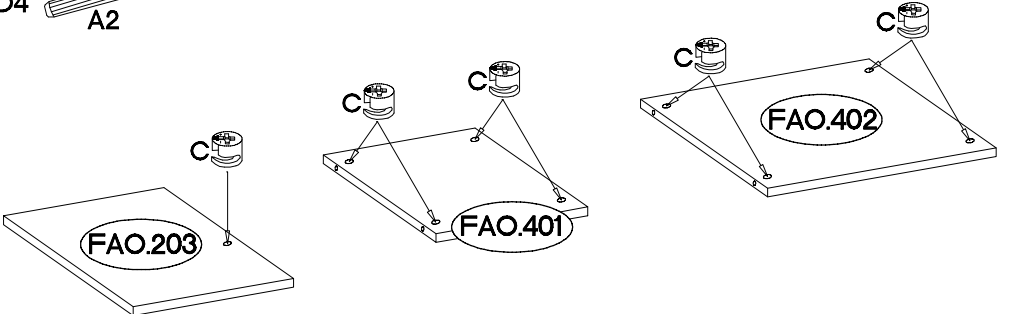
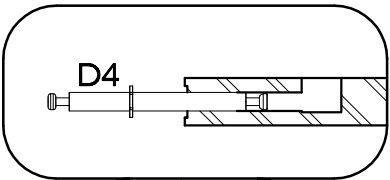
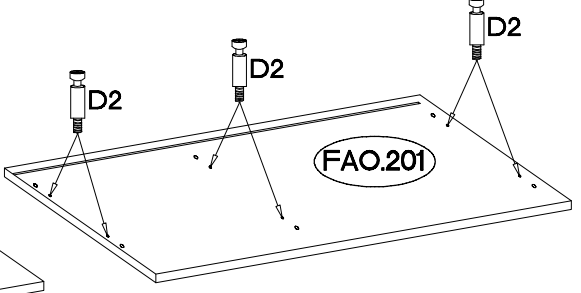
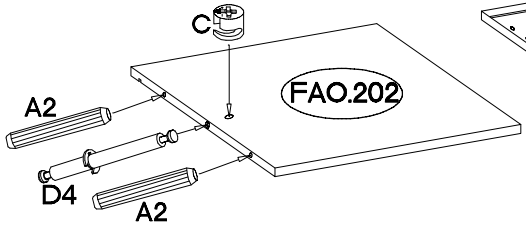
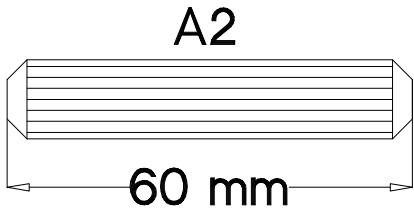
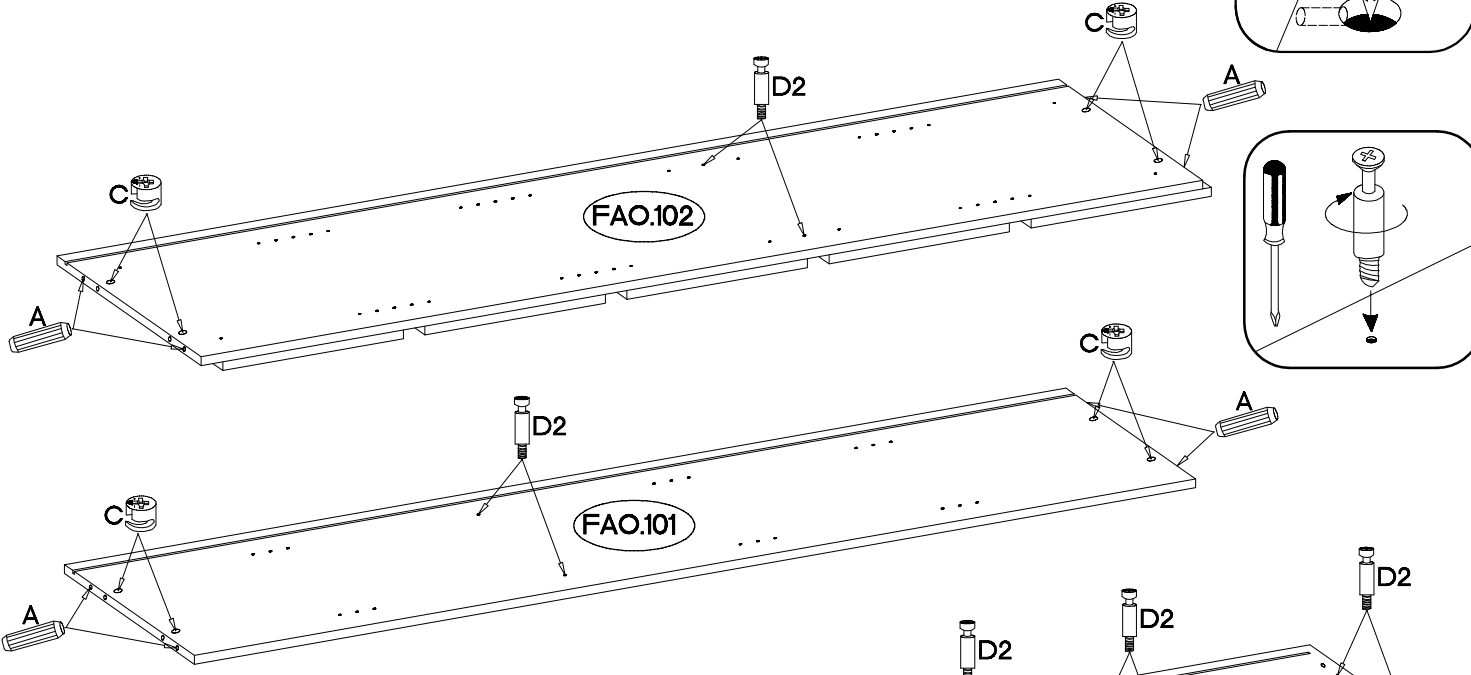
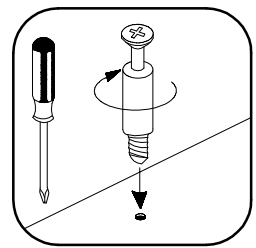
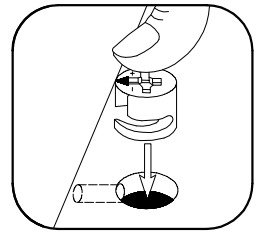


3

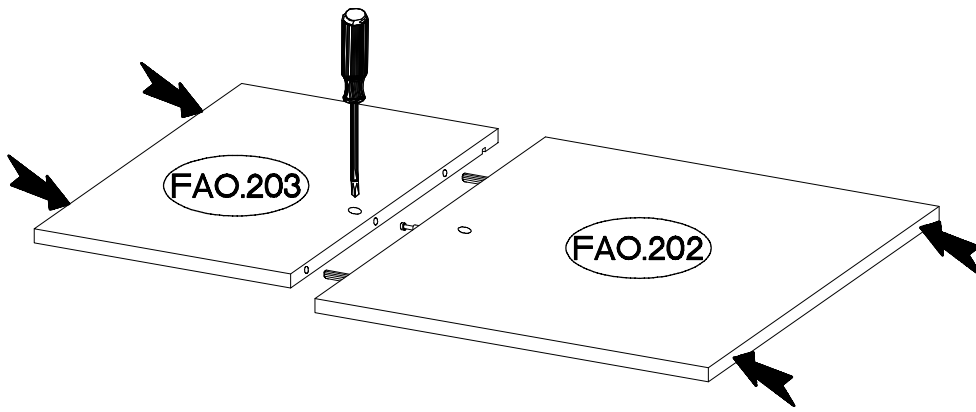


4

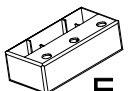

+8x30mm  A 12	+8x60mm  A2 2	L=20mm  D2 14	L=56mm  D4 1	#15/12mm  C 22	 T9 5	+4.0x16mm  P1 5
--	--	--	---	---	---	---

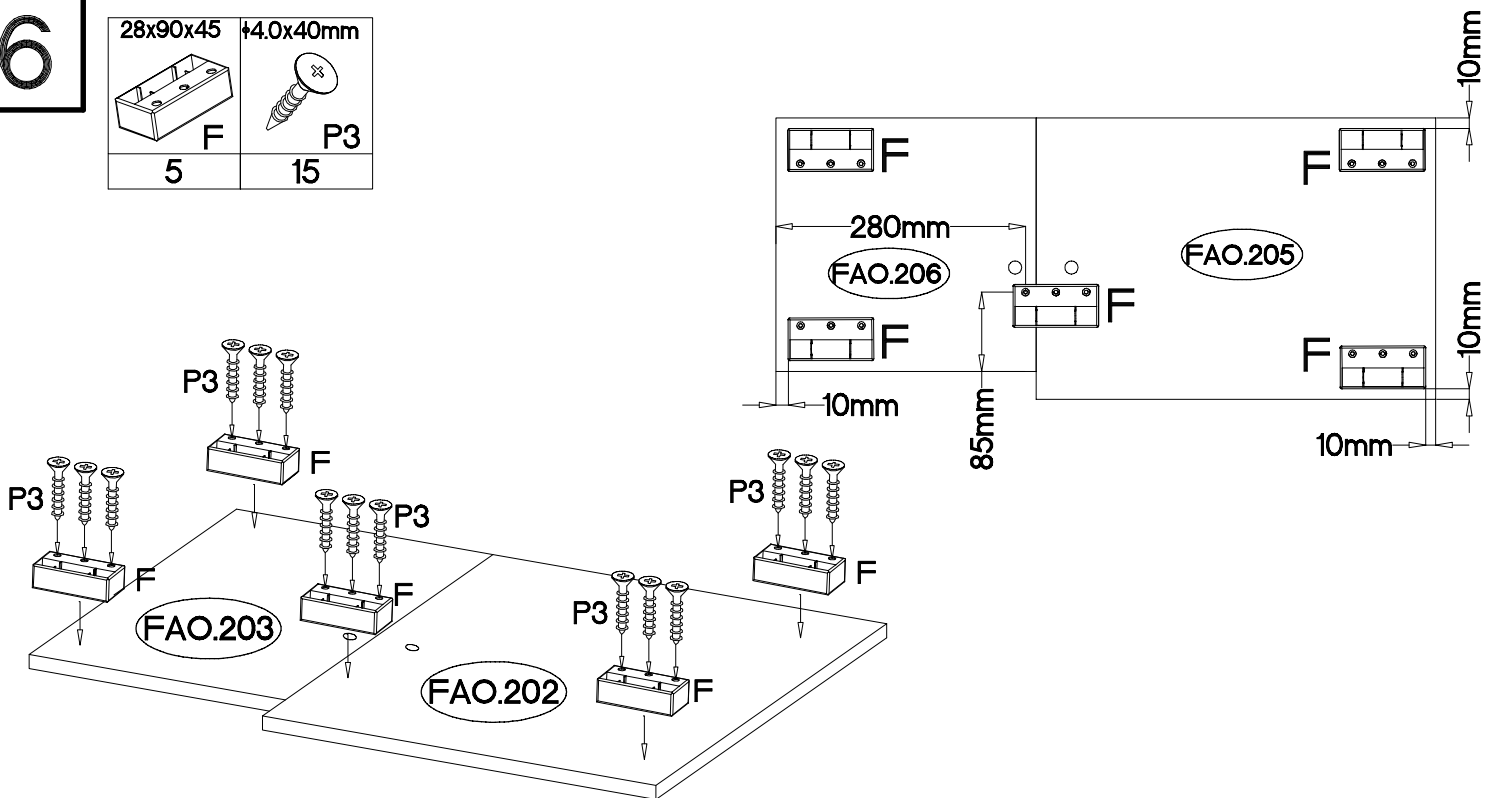


5

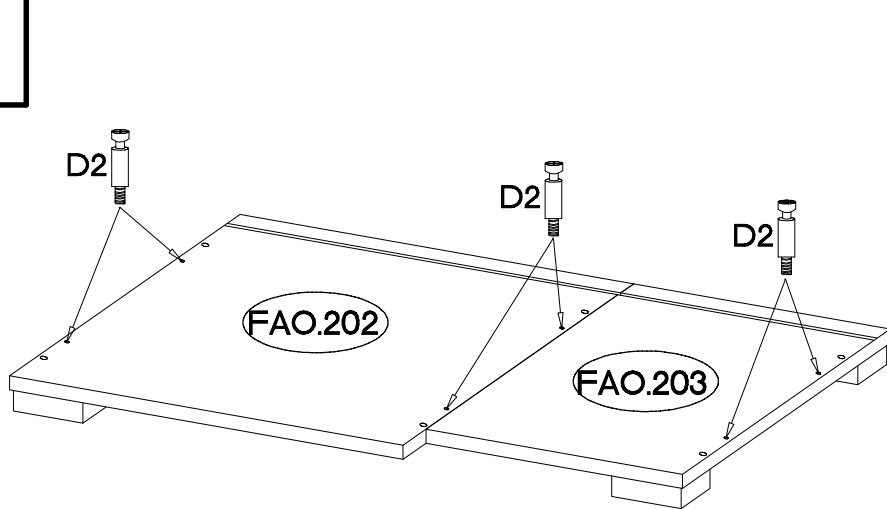



6

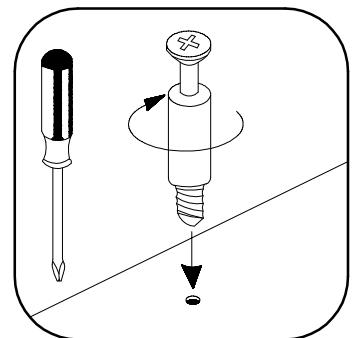
28x90x45	4.0x40mm
	
F	P3
5	15

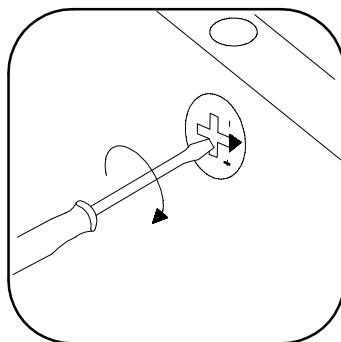
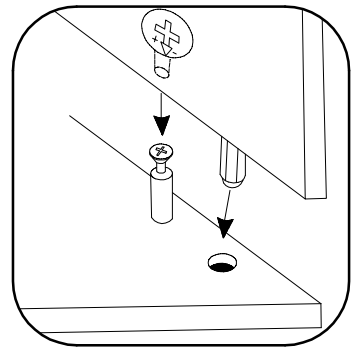
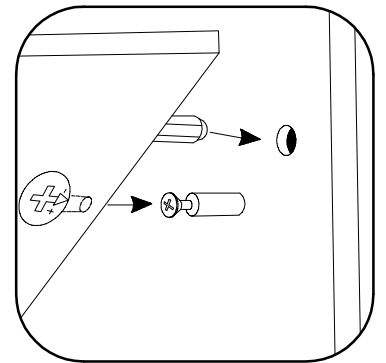
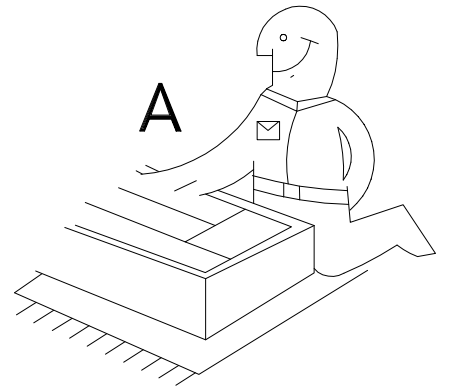
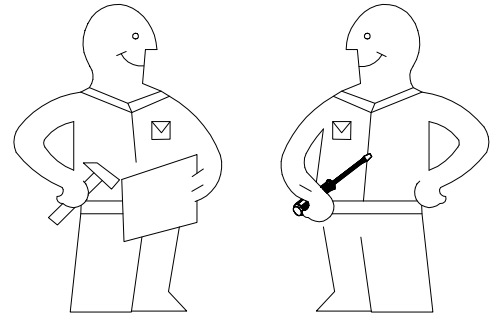
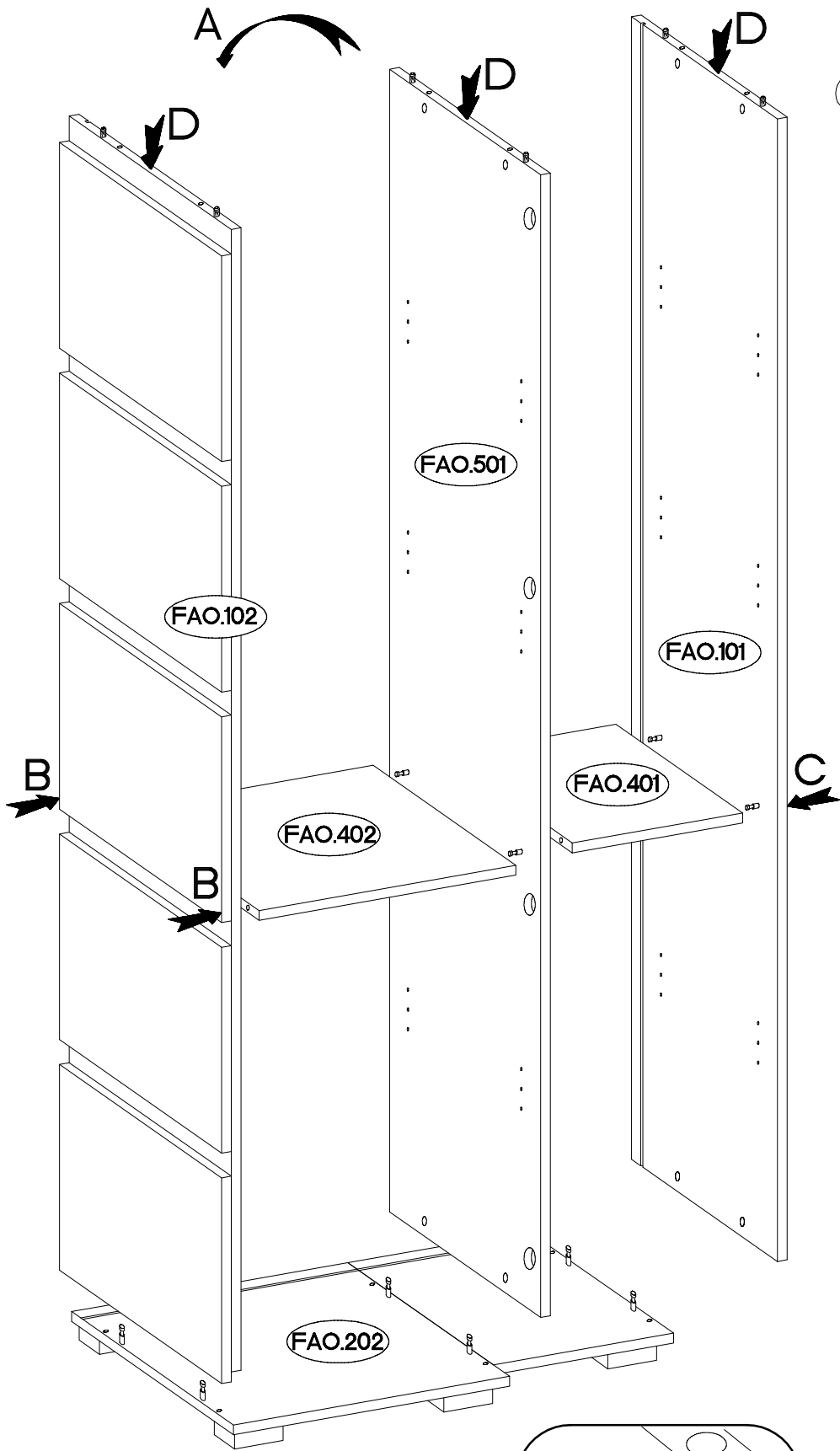


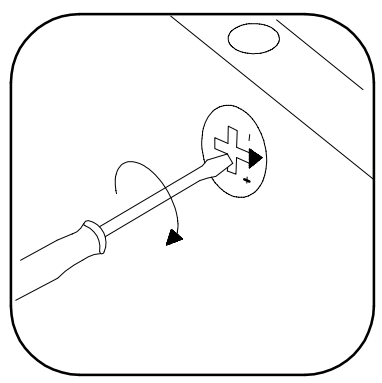
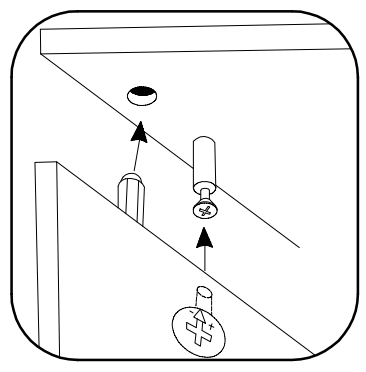
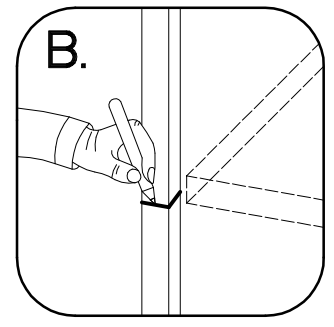
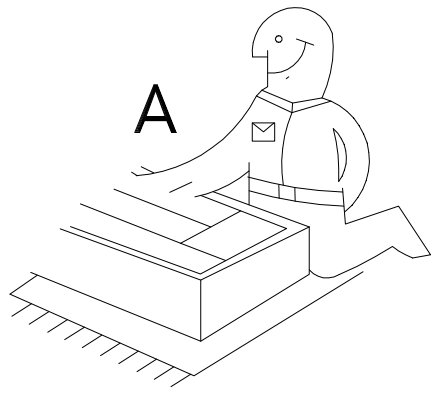
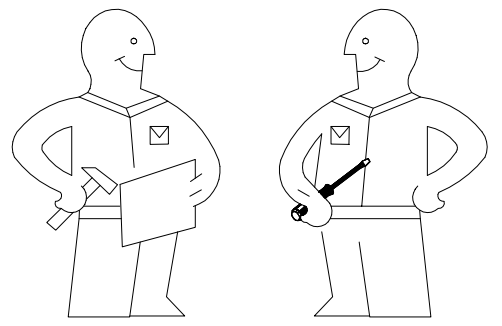
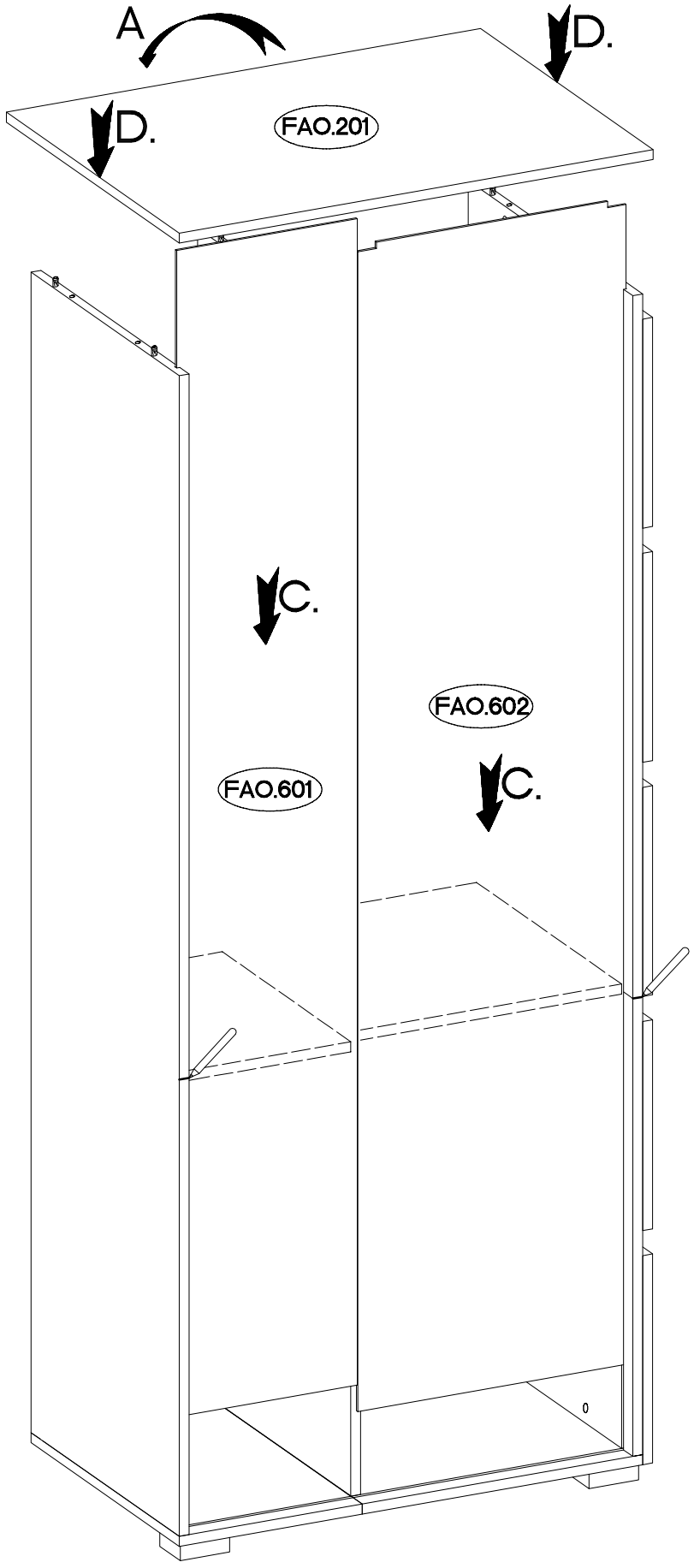
7




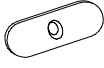
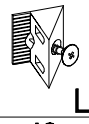
L=20mm

D2
6

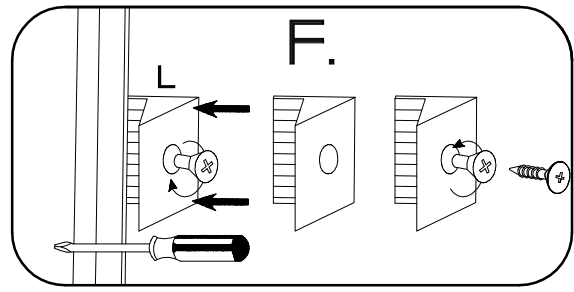
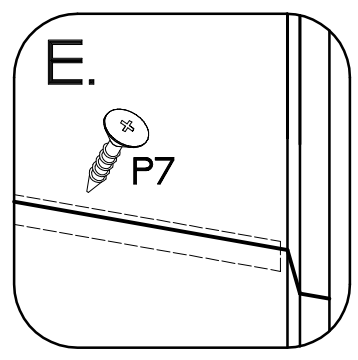
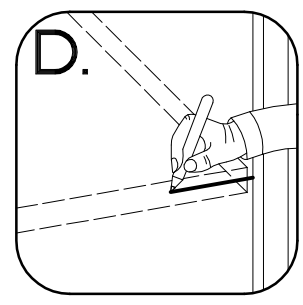
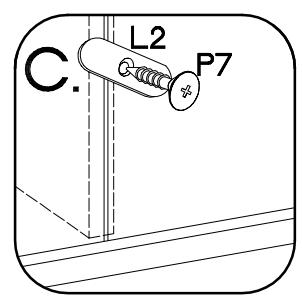
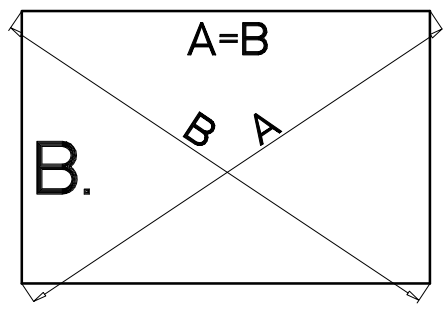
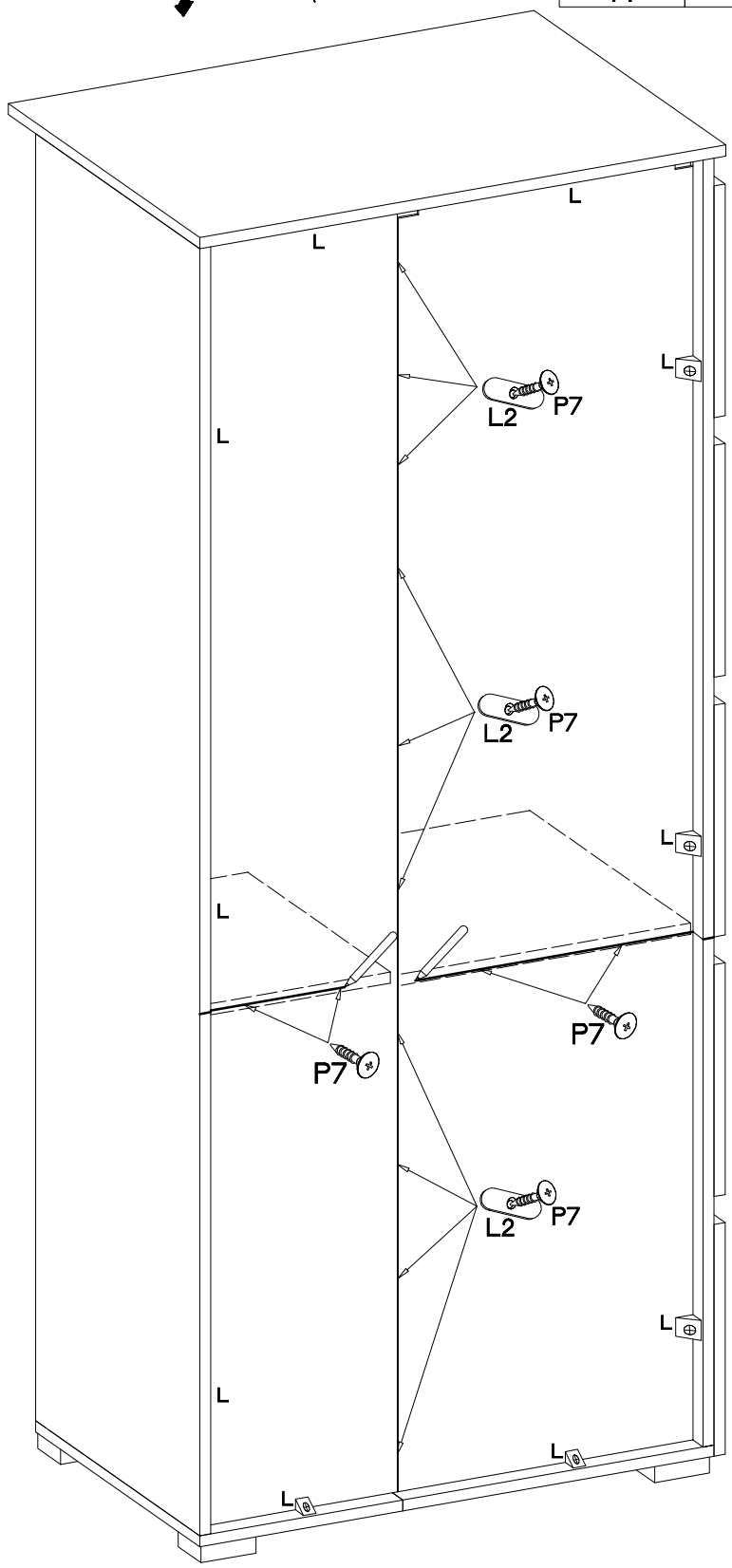
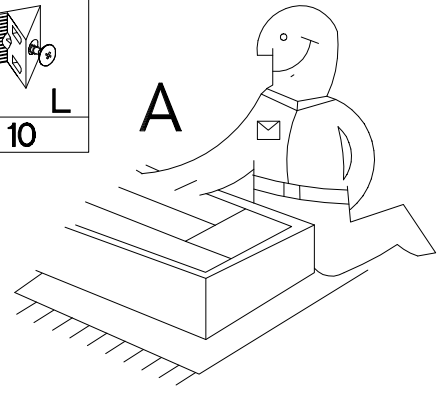


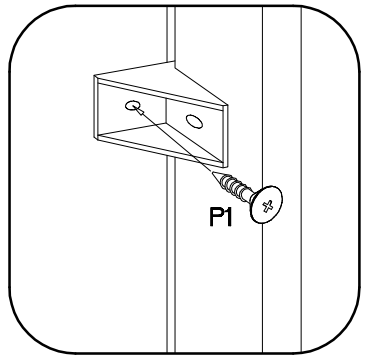
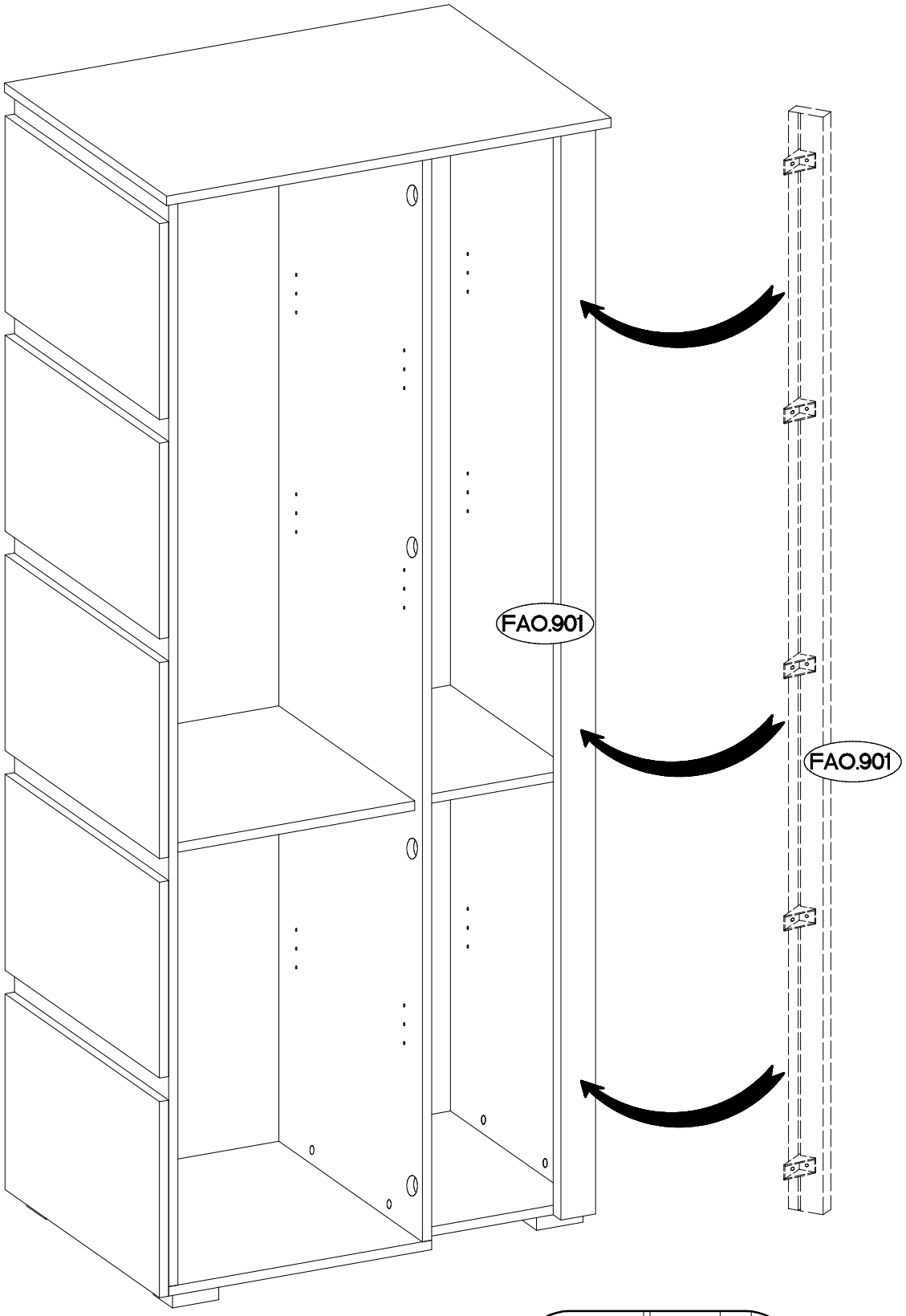






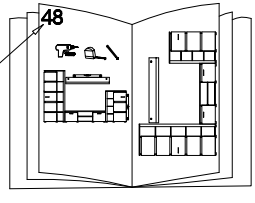
 <b>P7</b> 14	 <b>L2</b> 10	 <b>L</b> 10
---	---	--



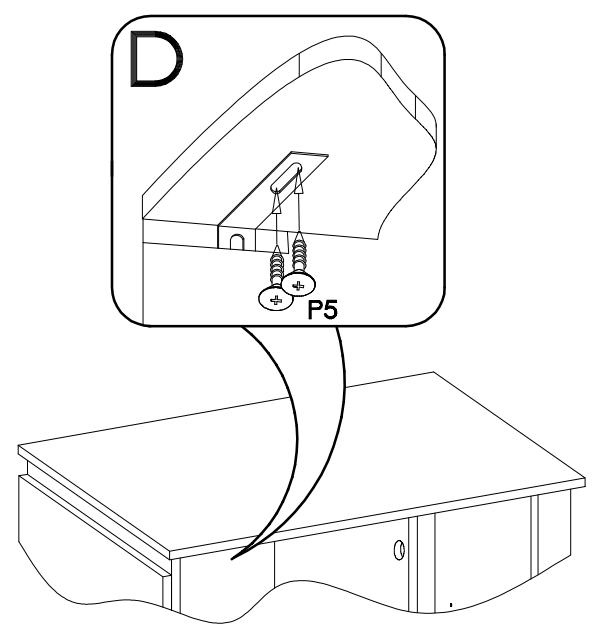
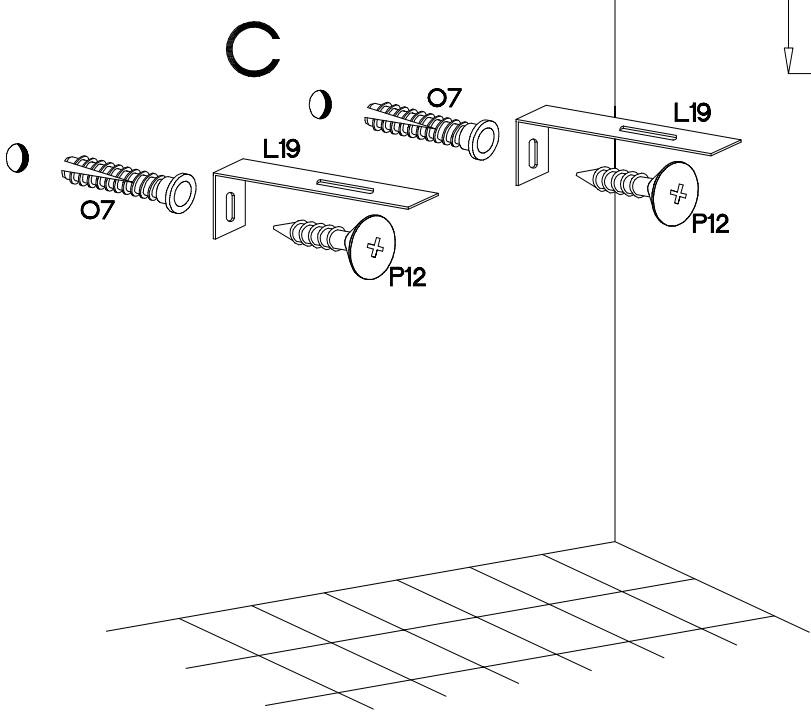
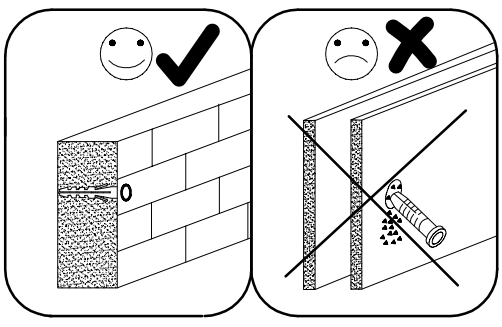
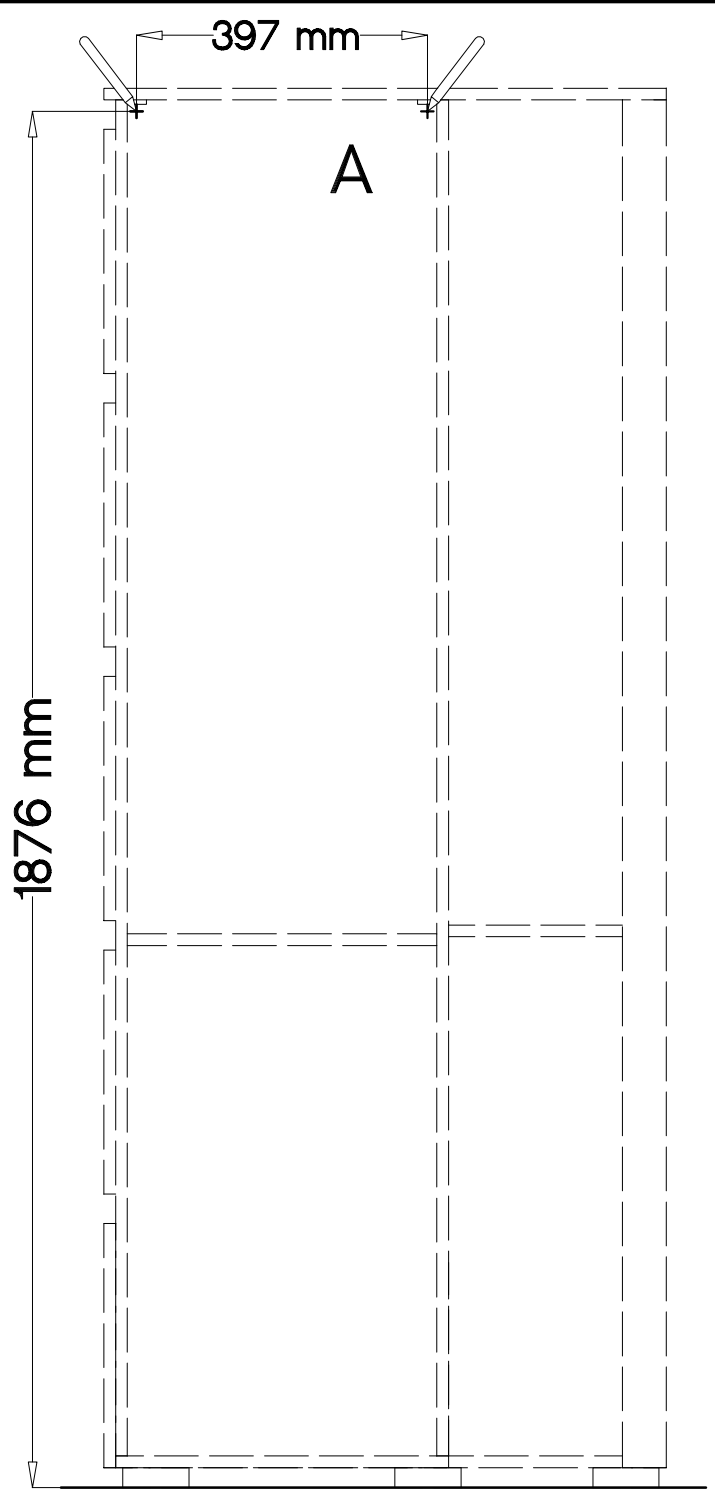
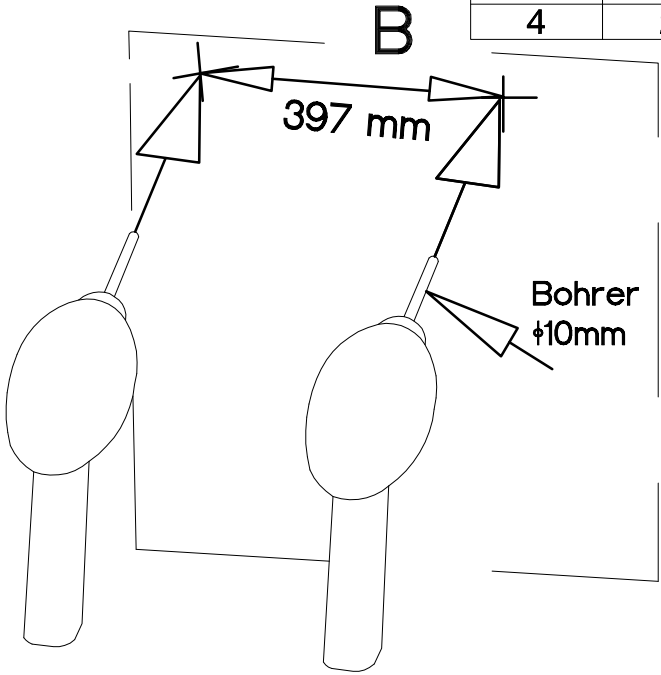


12

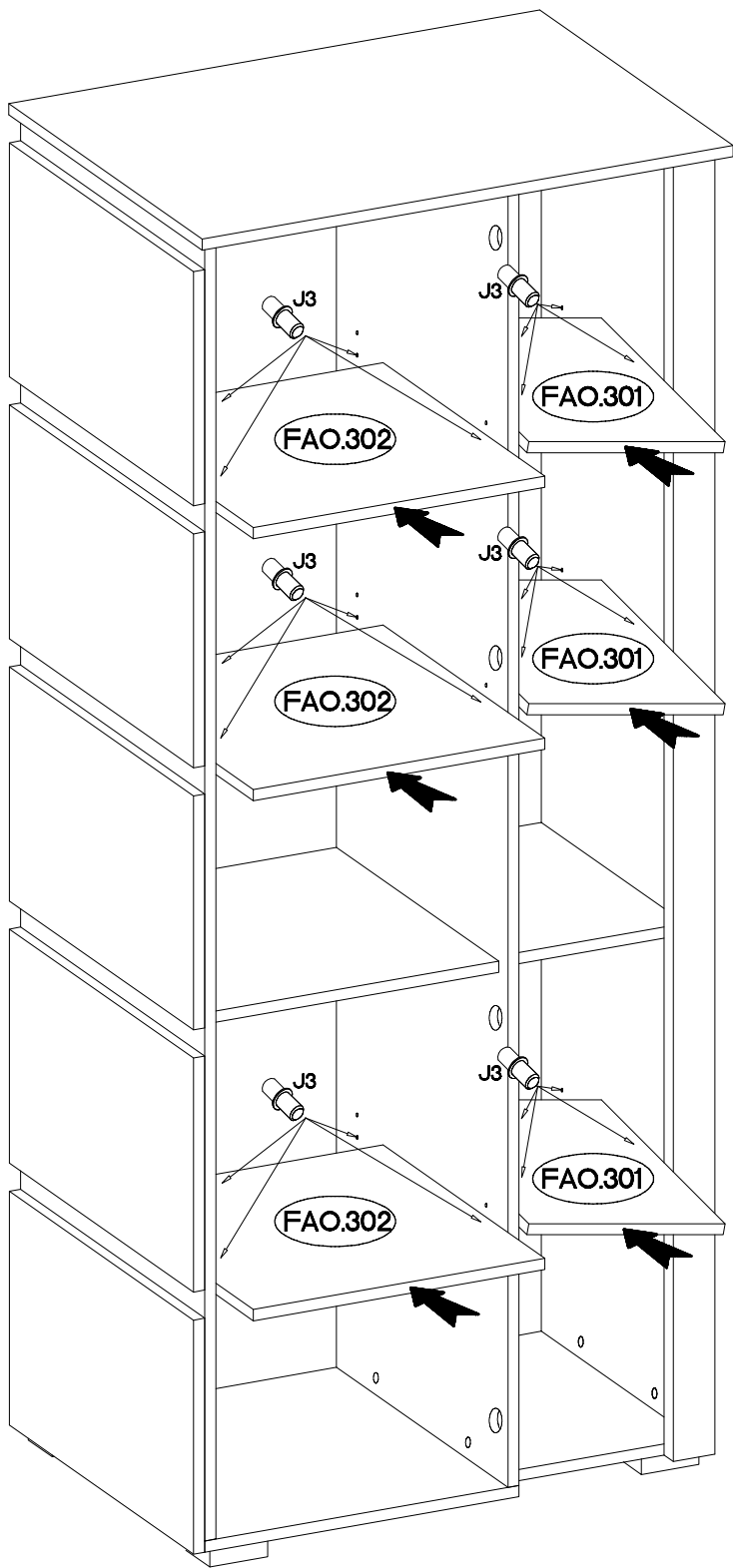
48



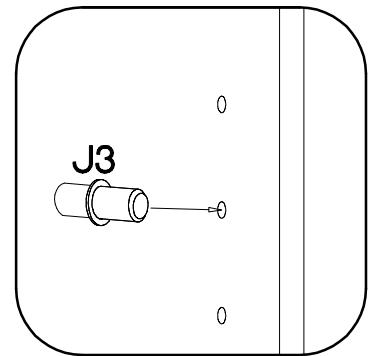
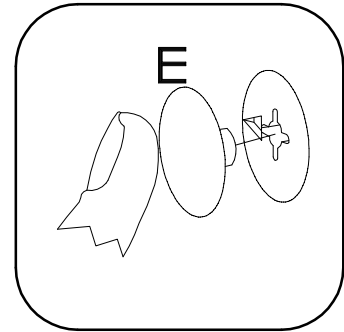
$\pm 10 \times 50 \text{ mm}$ O7 2	$\pm 5.0 \times 60 \text{ mm}$ P12 2
$\pm 3.5 \times 13 \text{ mm}$ P5 4	L19 2



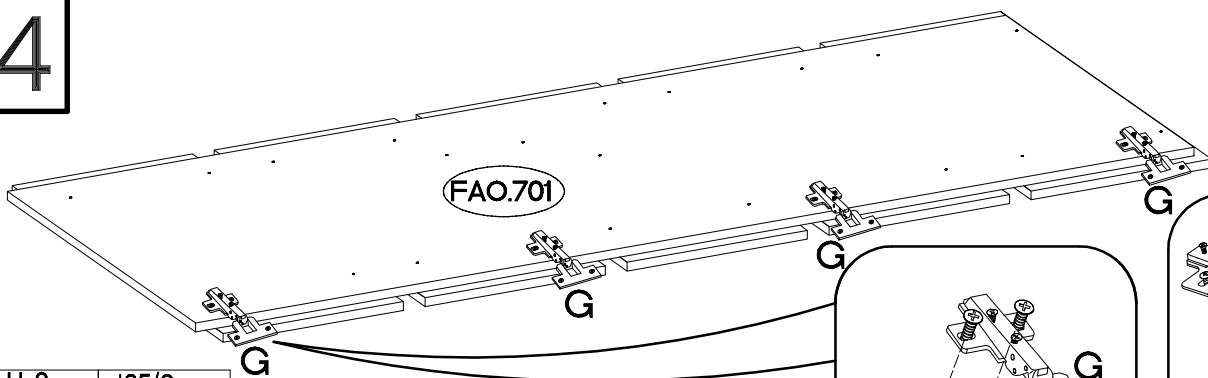
# 13



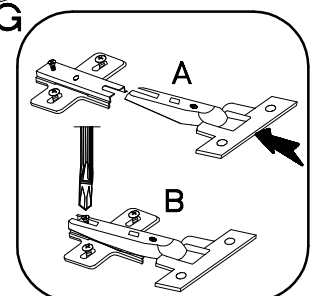
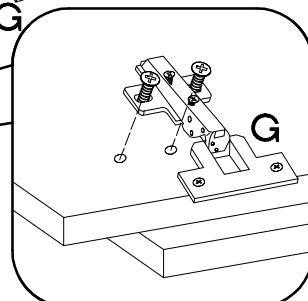
BLACK		±5/16mm
E	E	J3
4	16	24


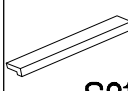



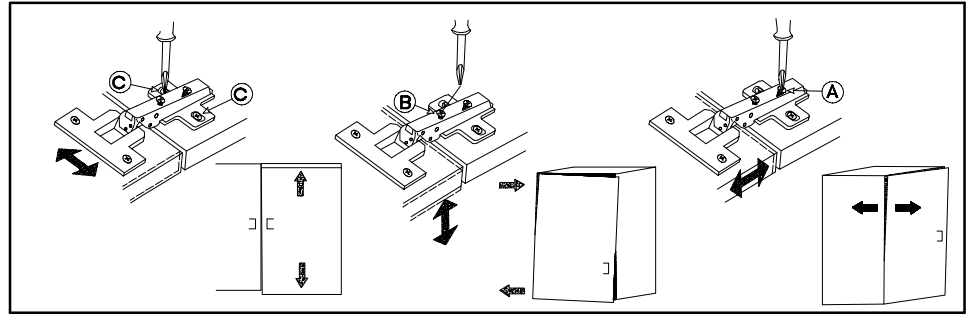
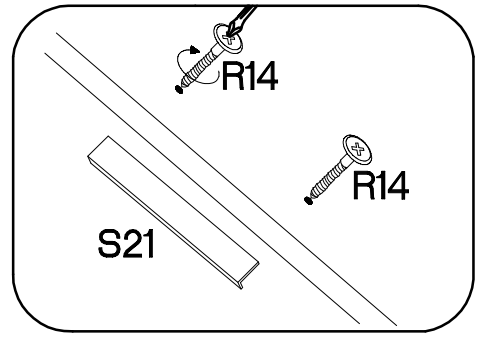
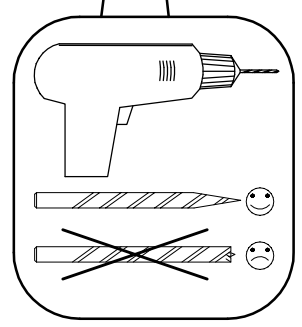
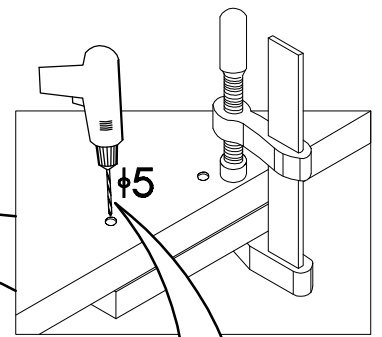
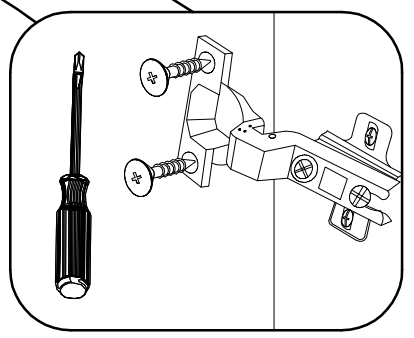
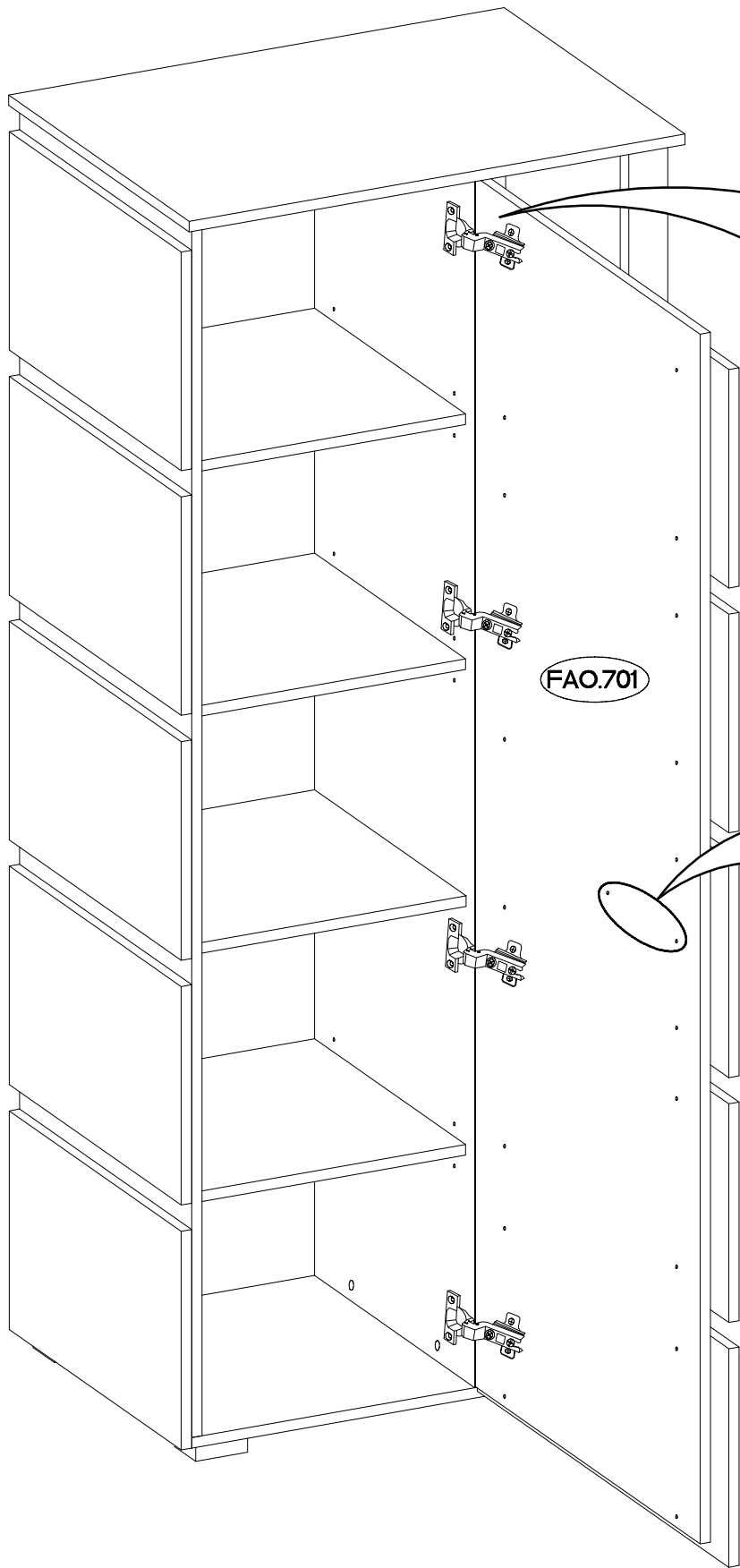
# 14



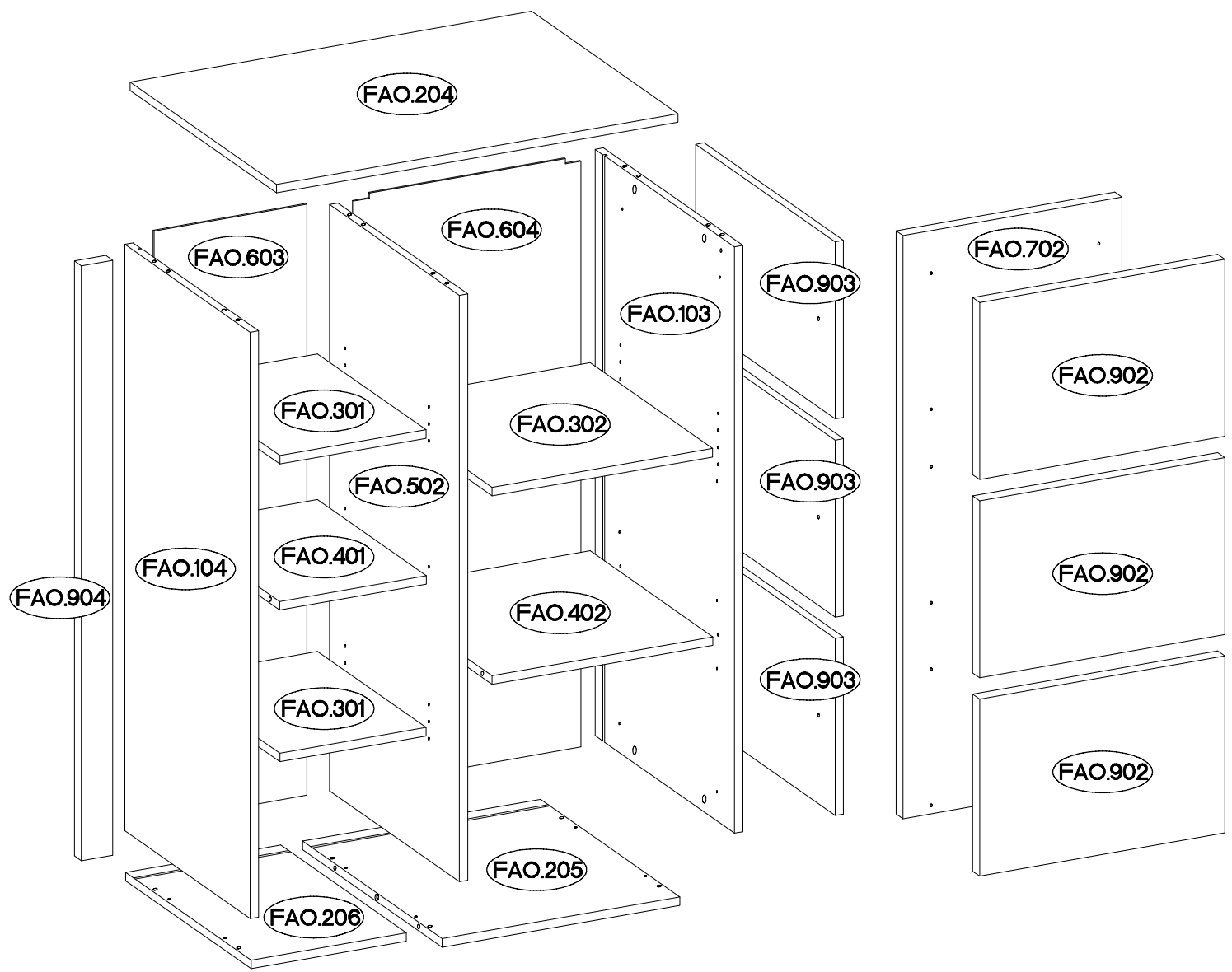
H=0	±35/0mm
H	G
4	4

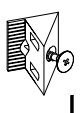

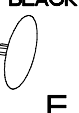
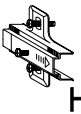
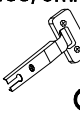

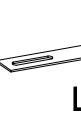



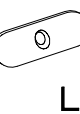
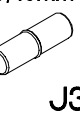


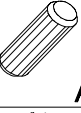

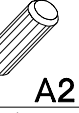

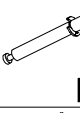

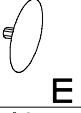
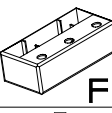

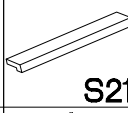



$\varnothing 3.5 \times 13 \text{mm}$  <b>P5</b> 8	L=128mm  <b>S21</b> 1	$\varnothing 4.0 \times 45 \text{mm}$  <b>R14</b> 2
---	--	--



FAO.301 FAO.302 = max. 5kg  
 FAO.401 FAO.402

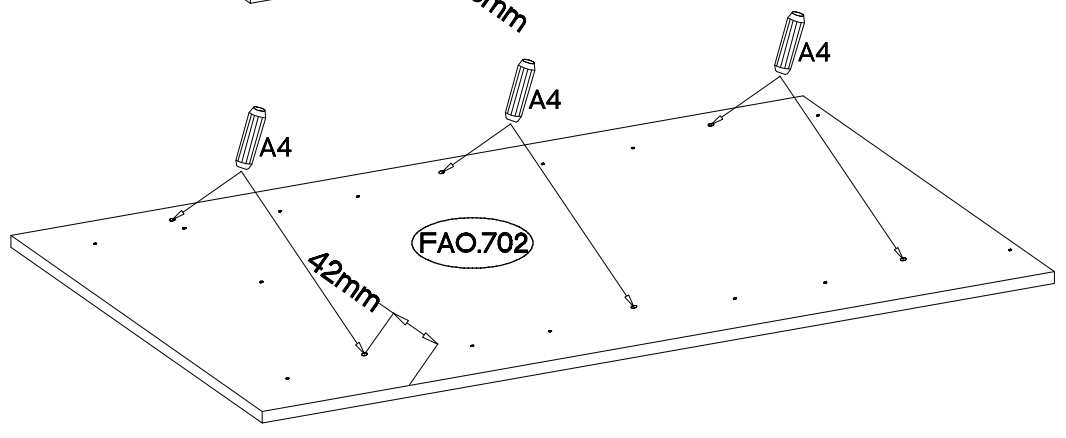
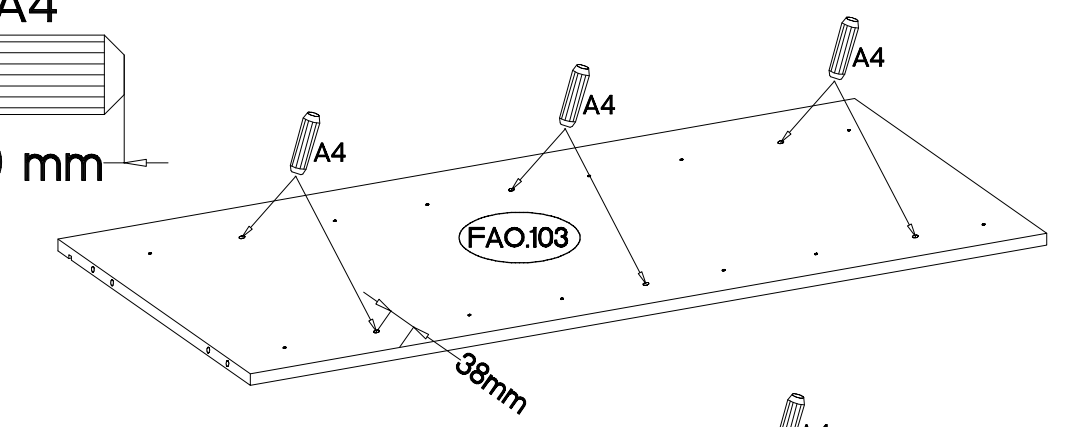
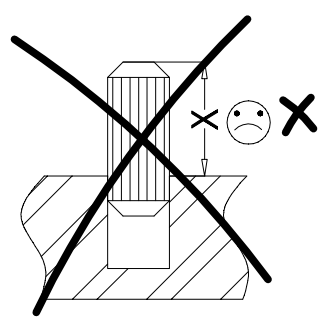
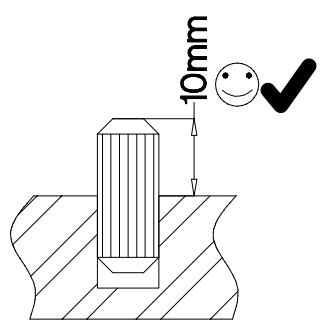


 L	 P25	 E									
8	24	4									
 H=0	 ±35/0mm	 ±3.5x13mm	 L19	 ±10x50mm	 ±5.0x60mm	 ±3.0x20mm	 L2	 ±5/16mm	 T9	 ±4.0x16mm	
3	3	10	2	2	2	10	6	12	4	8	
 ±8x30mm	 ±8x20mm	 ±8x60mm	 L=20mm	 L=56mm	 ±15/12mm	 E	 28x90x45	 ±4.0x40mm	 L=128mm	 ±4.0x45mm	
12	12	2	20	1	22	16	5	15	1	2	

17

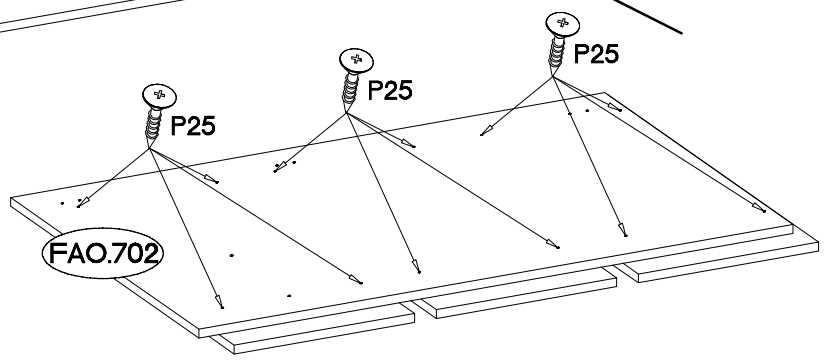
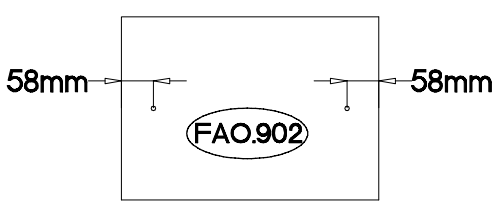
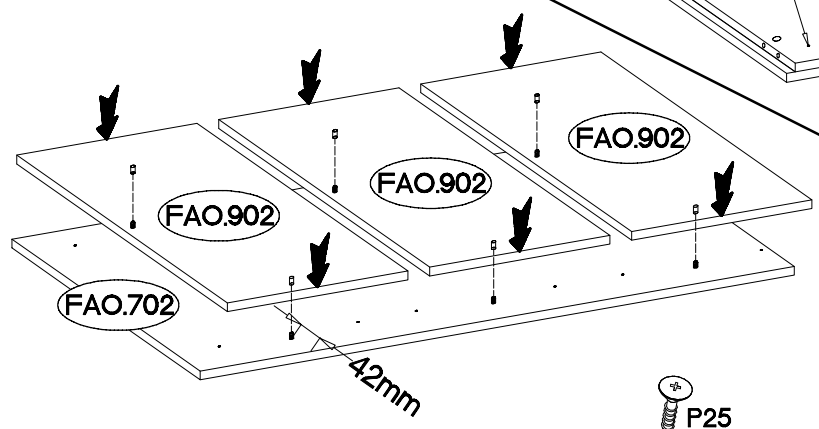
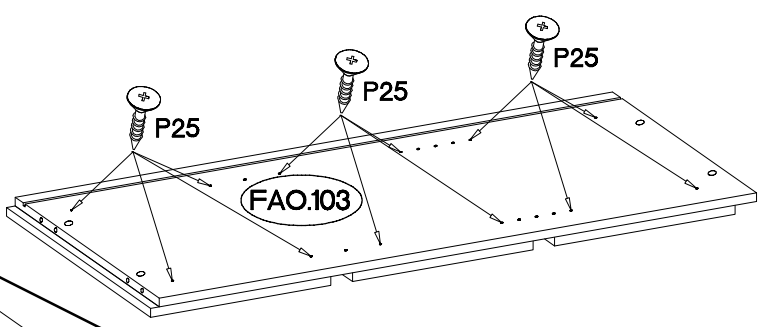
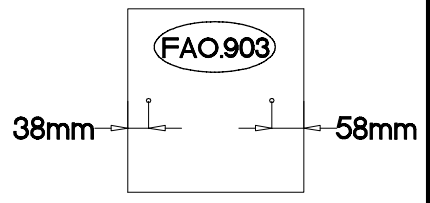
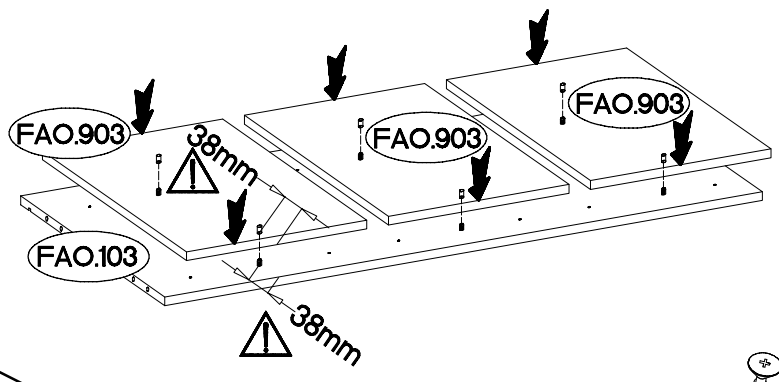
±8x20mm  
A4  
12

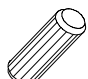
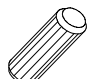
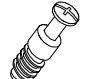
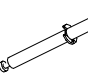
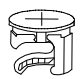
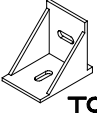

A4  
20 mm

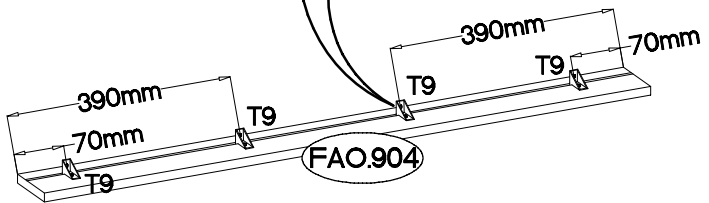
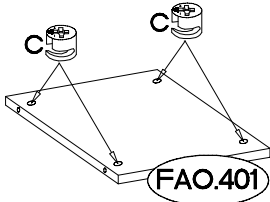
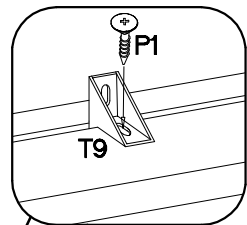
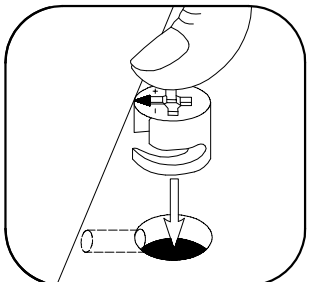
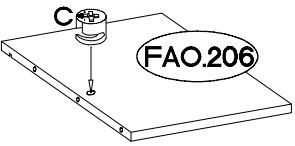
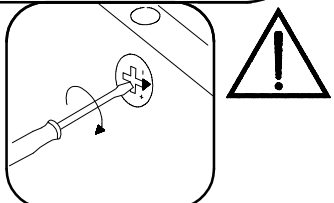
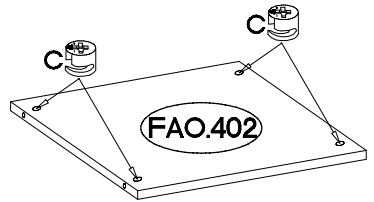
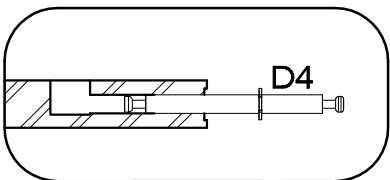
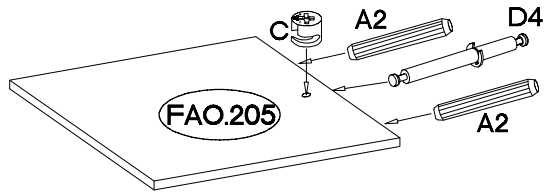
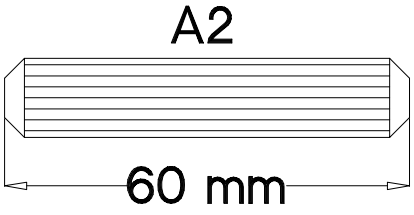
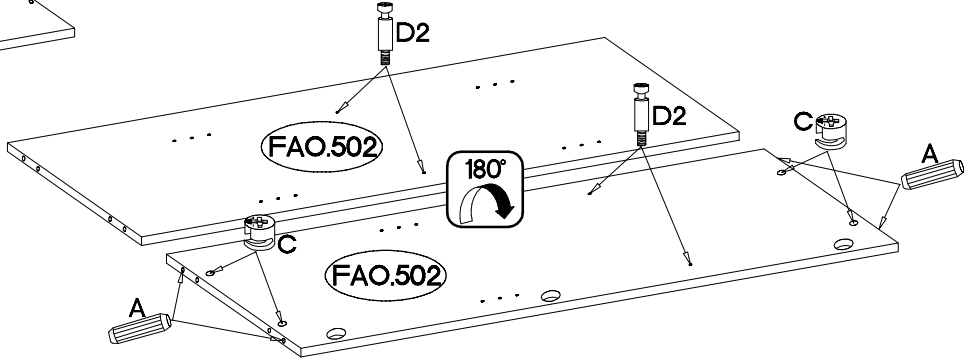
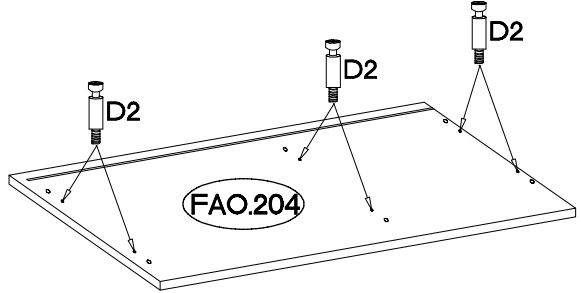
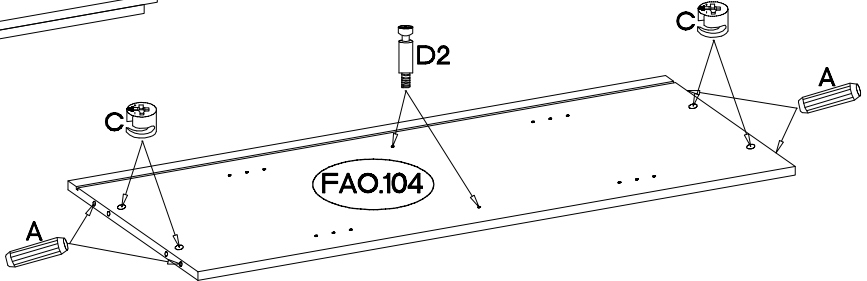
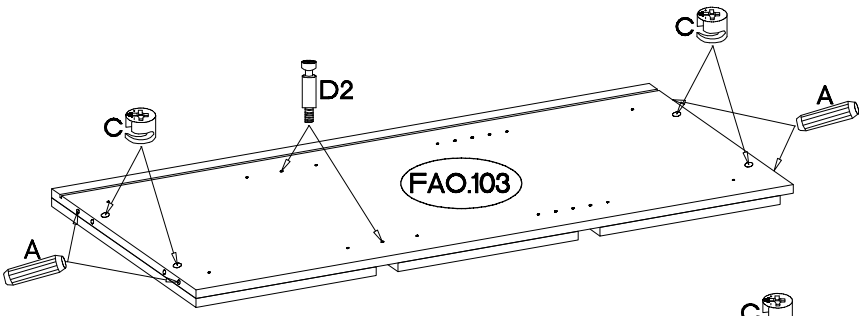
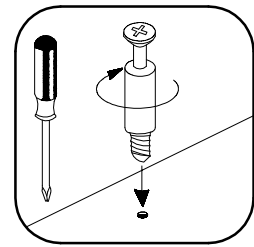


18

±4.0x25mm  
BLACK  
P25  
24

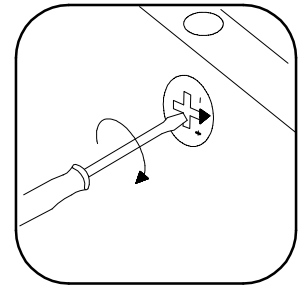
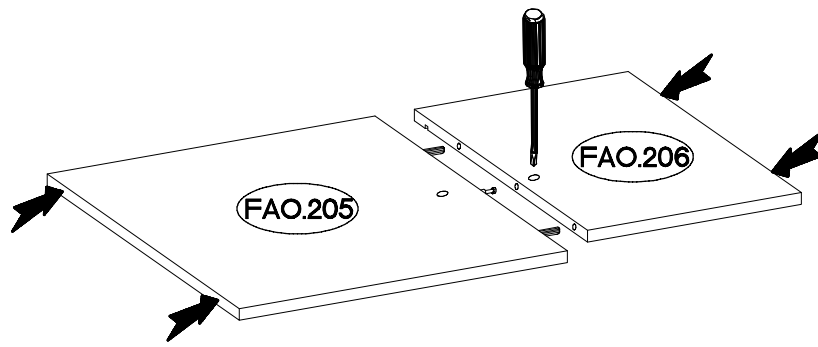


$\varnothing 8 \times 30 \text{mm}$  A 12	$\varnothing 8 \times 60 \text{mm}$  A2 2	L=20mm  D2 14	L=56mm  D4 1	$\varnothing 15/12 \text{mm}$  C 22	 T9 4	$\varnothing 4.0 \times 16 \text{mm}$  P1 4
--	--	--	---	--	---	---

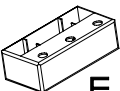



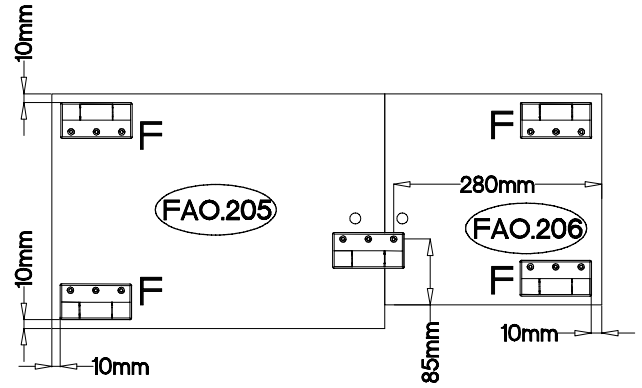
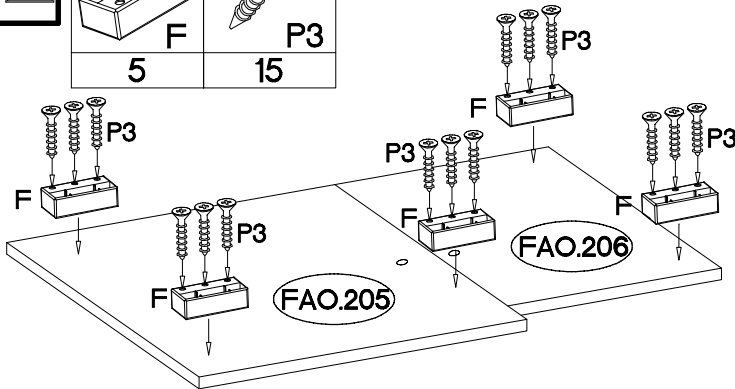


21

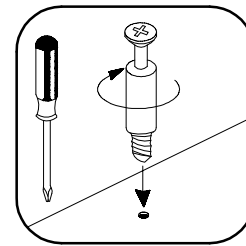
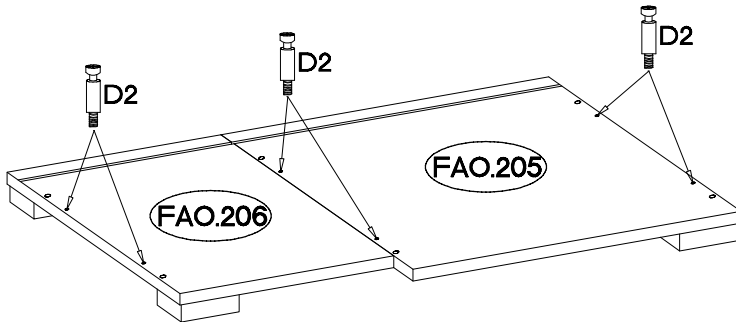



22

28x90x45	4.0x40mm
	
5	15

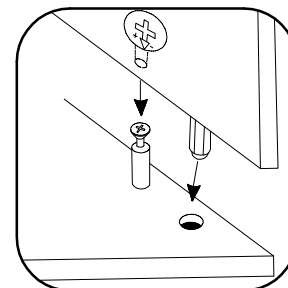
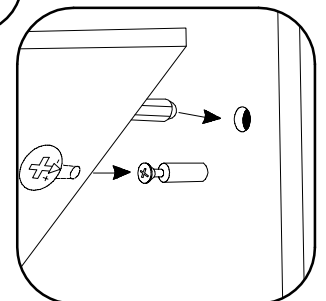
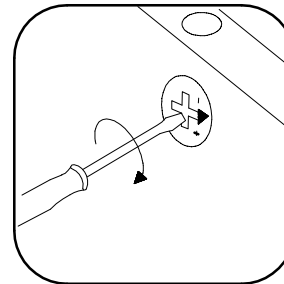
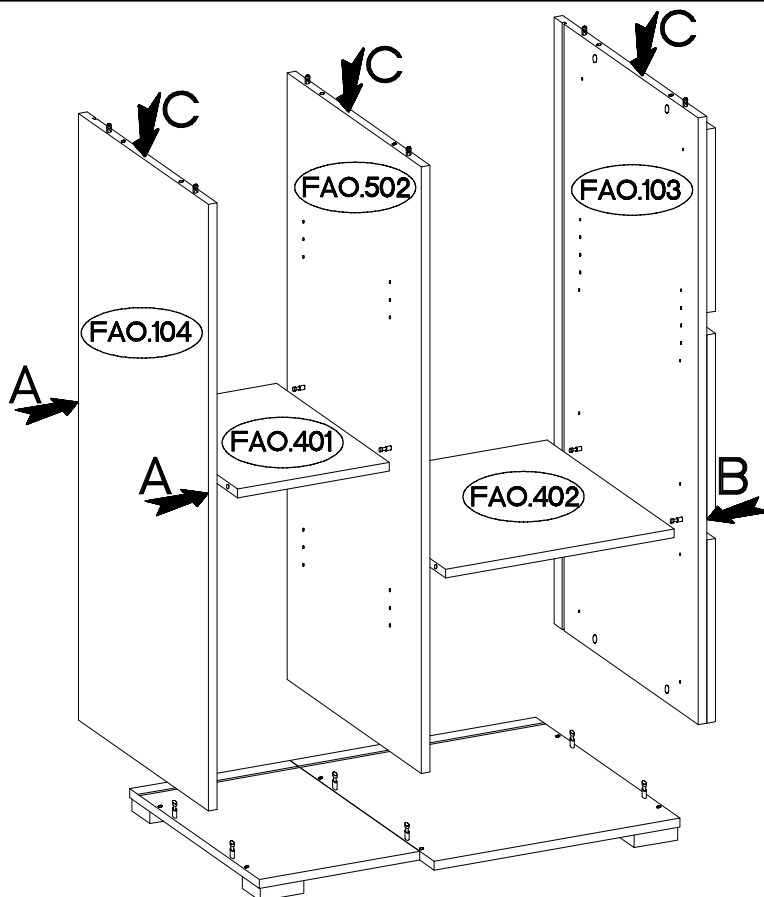


23

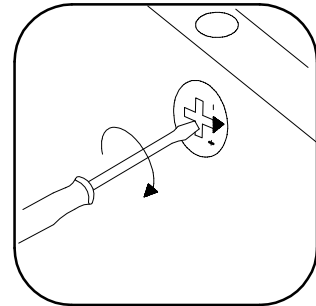
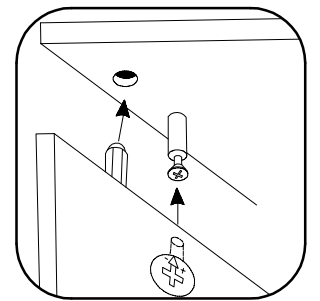
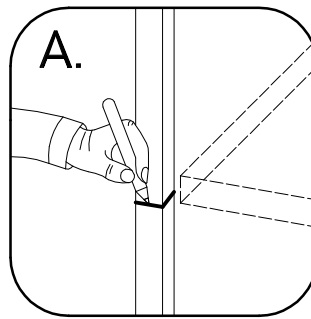
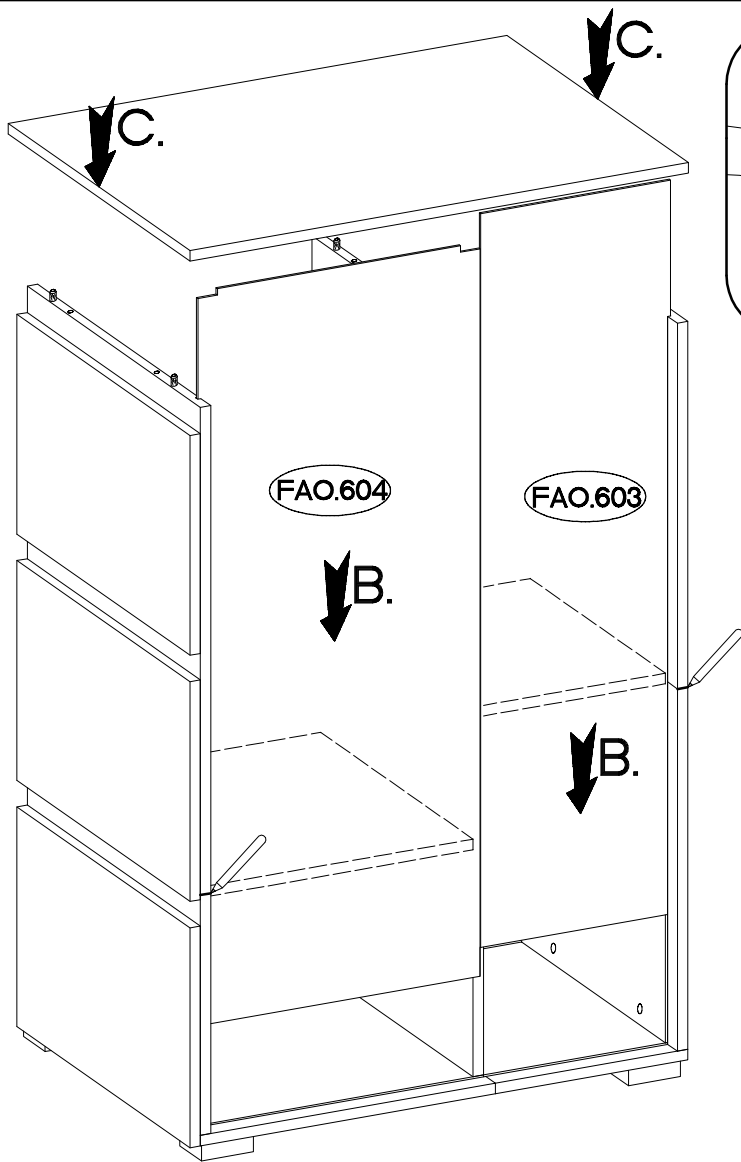


L=20mm

D2
6

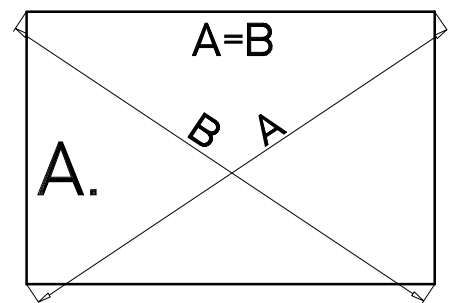
24



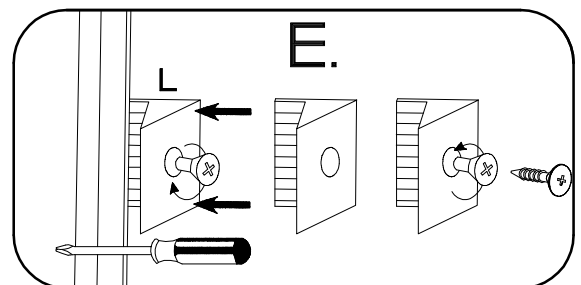
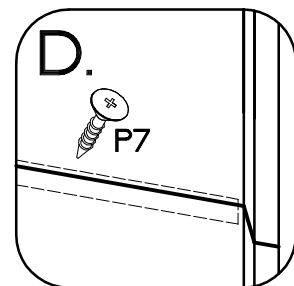
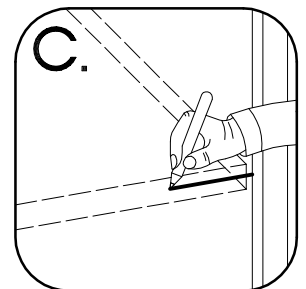
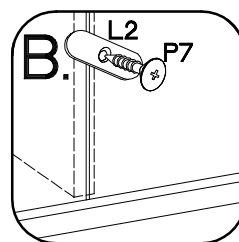
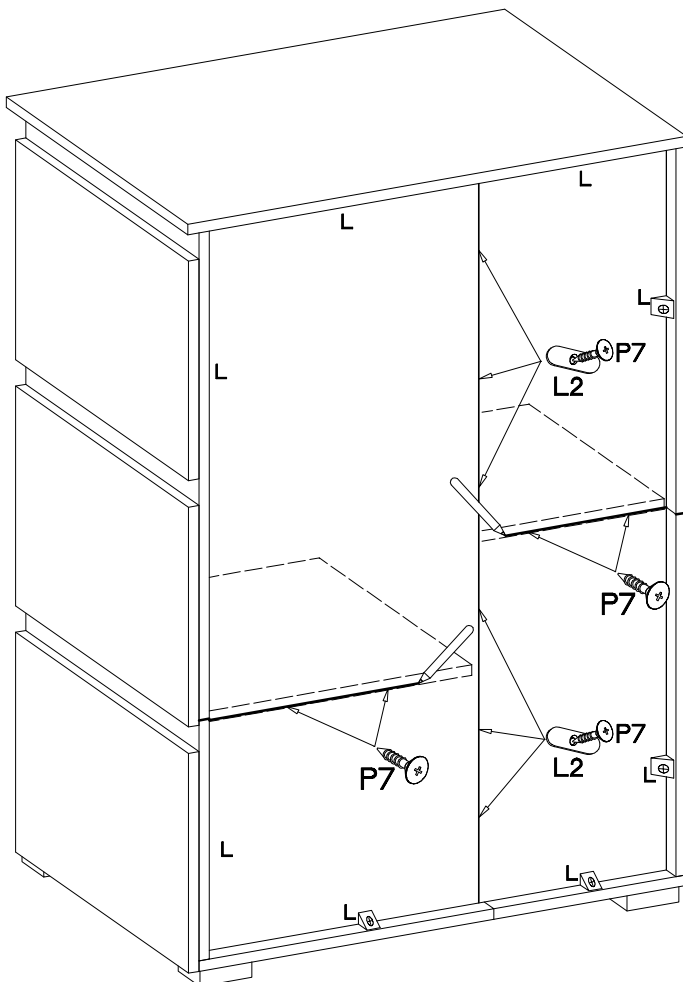
25



+3.0x20mm		
P7	L2	L
10	6	8



26



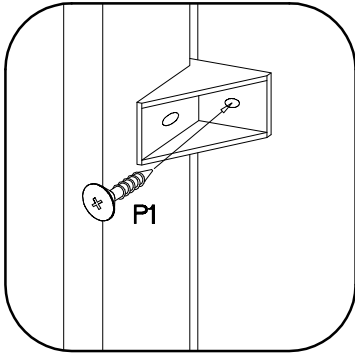
27

4.0x16mm



P1

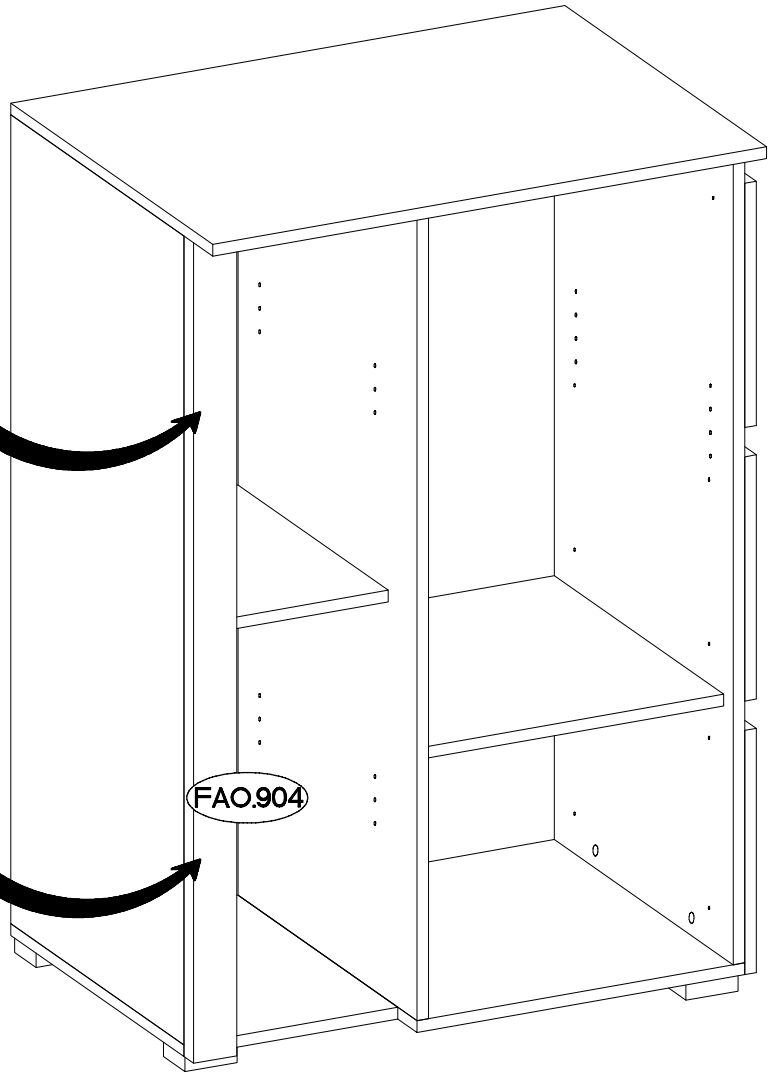
4



FAO.904



FAO.904



28

H=0

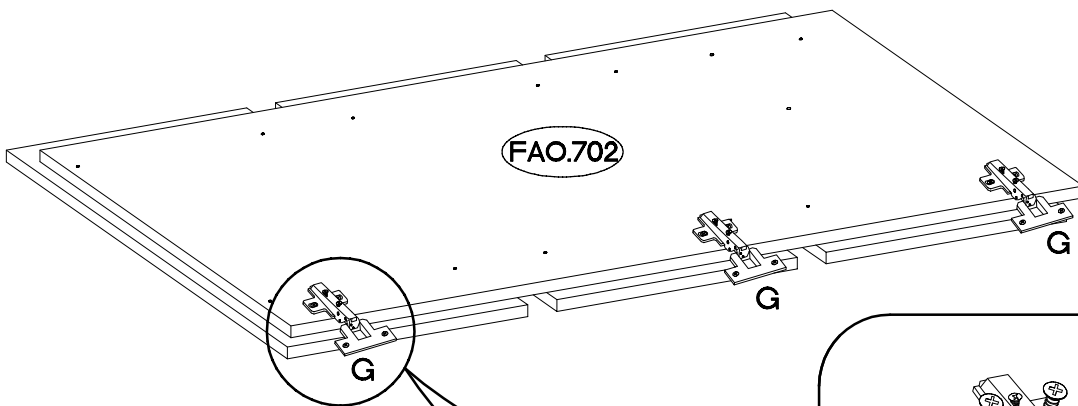
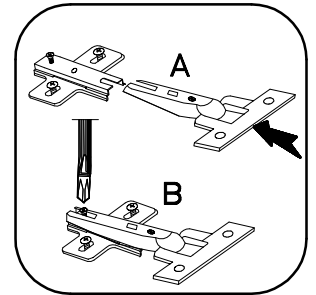


3

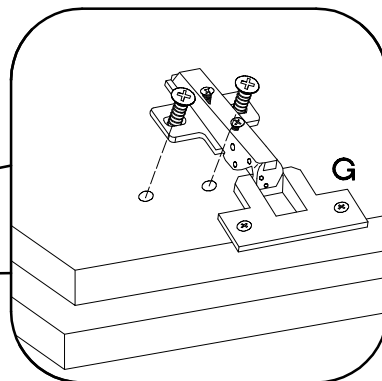
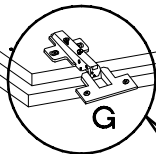
35/0mm



3



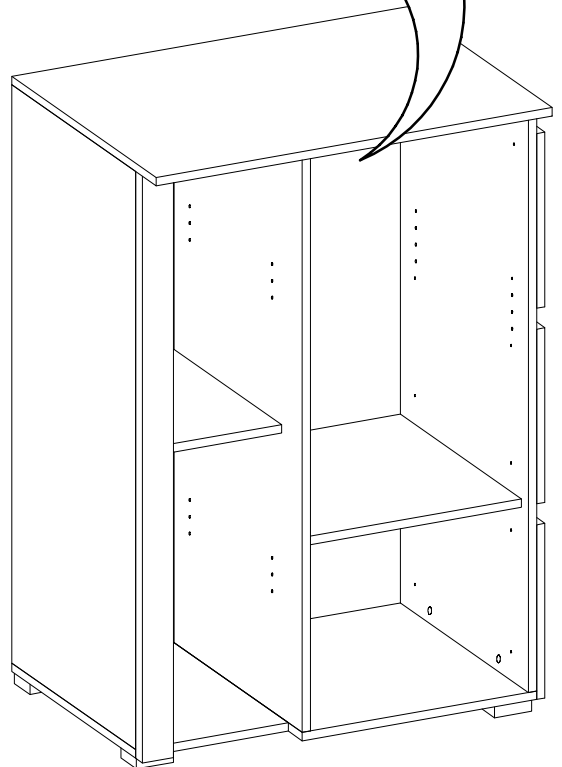
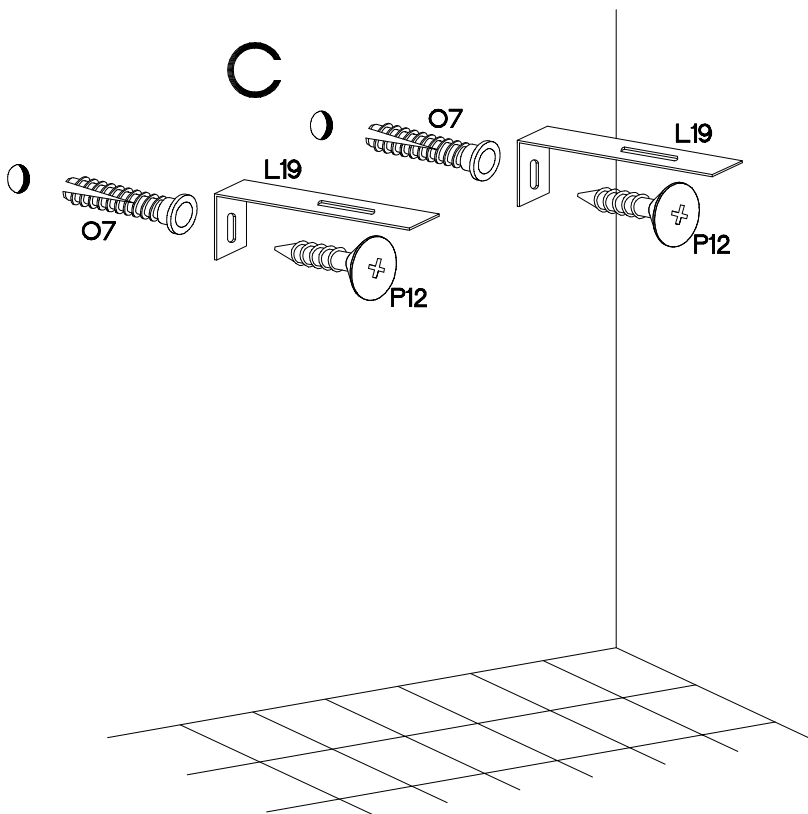
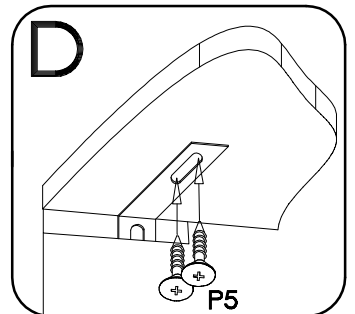
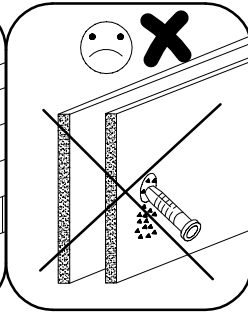
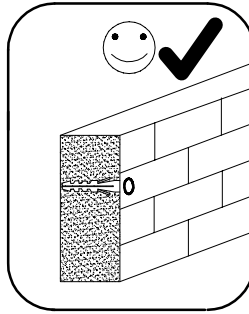
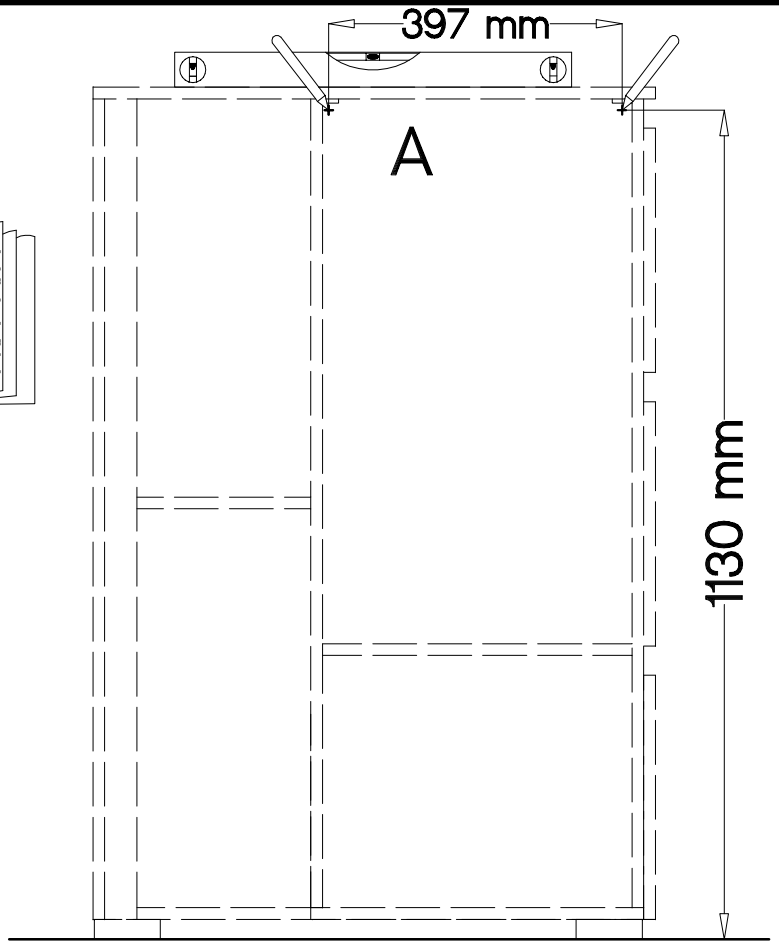
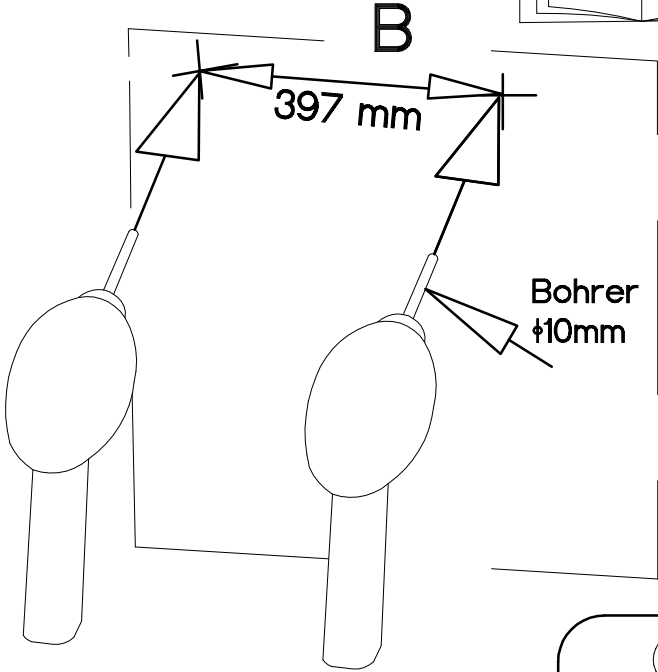
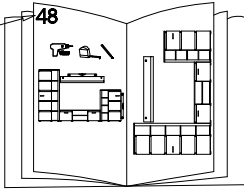
FAO.702



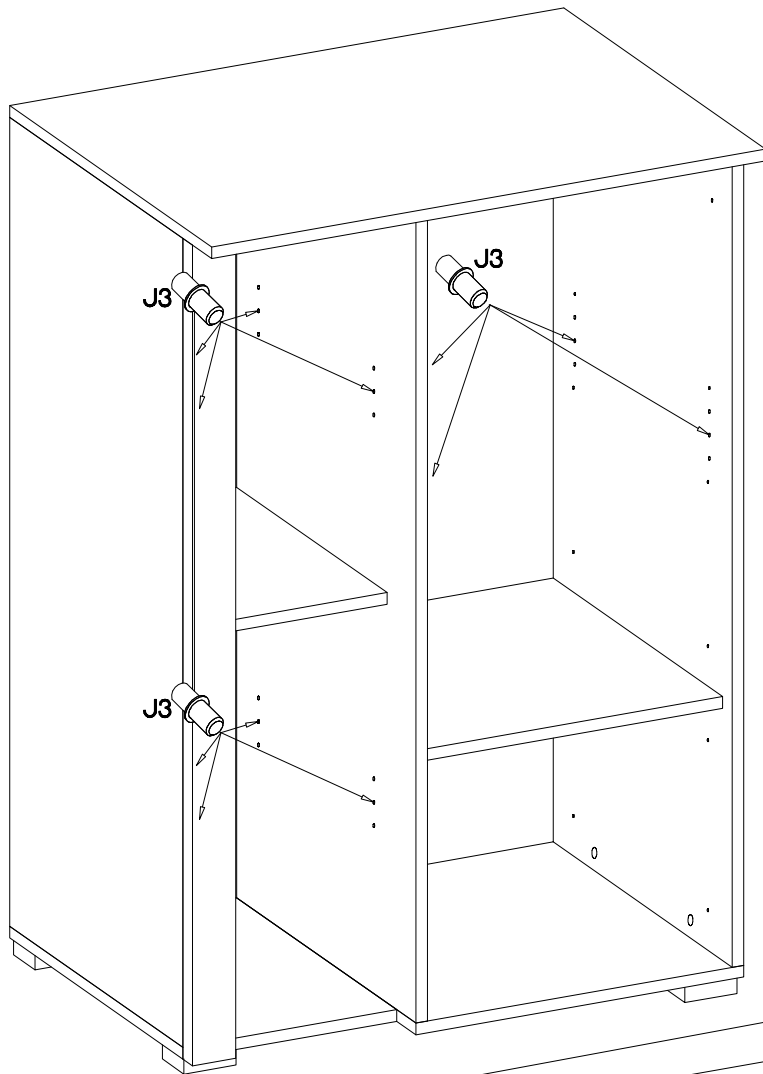
29




±3.5x13mm P5 4	L19 2	±10x50mm O7 2	±5.0x60mm P12 2
----------------------	----------	---------------------	-----------------------

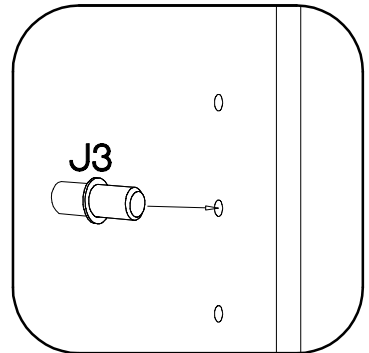
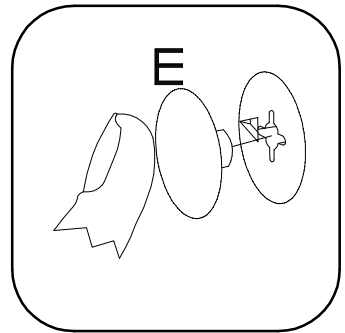
48



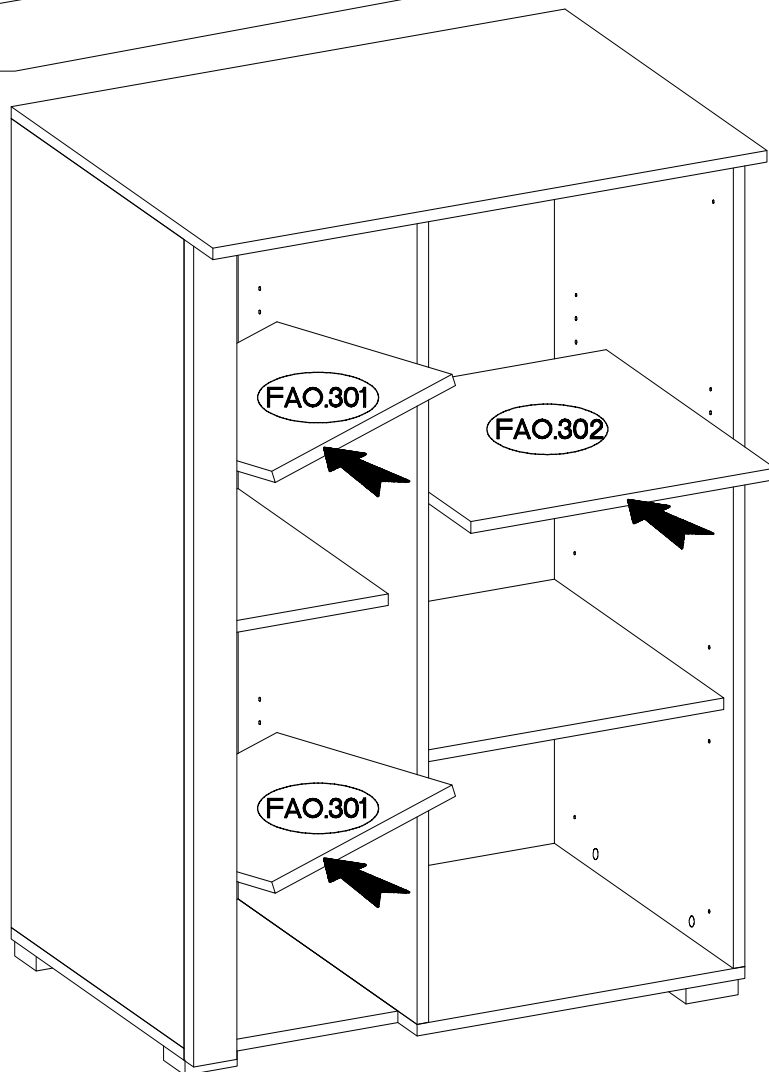
30

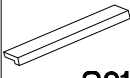




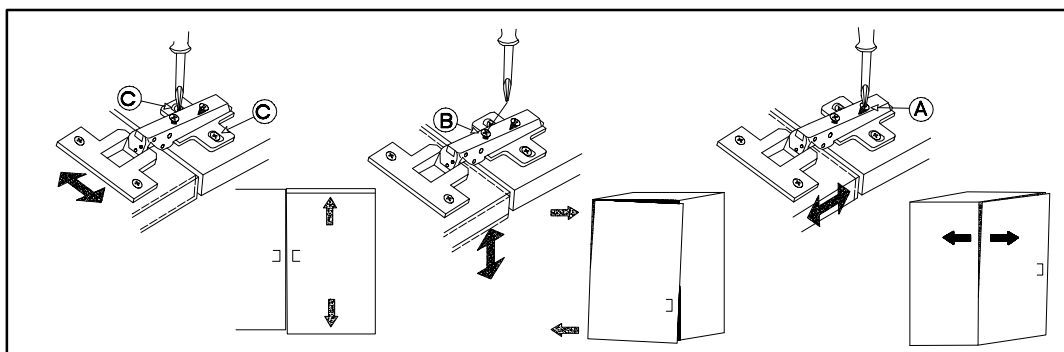
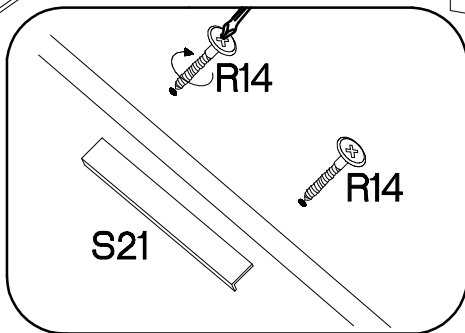
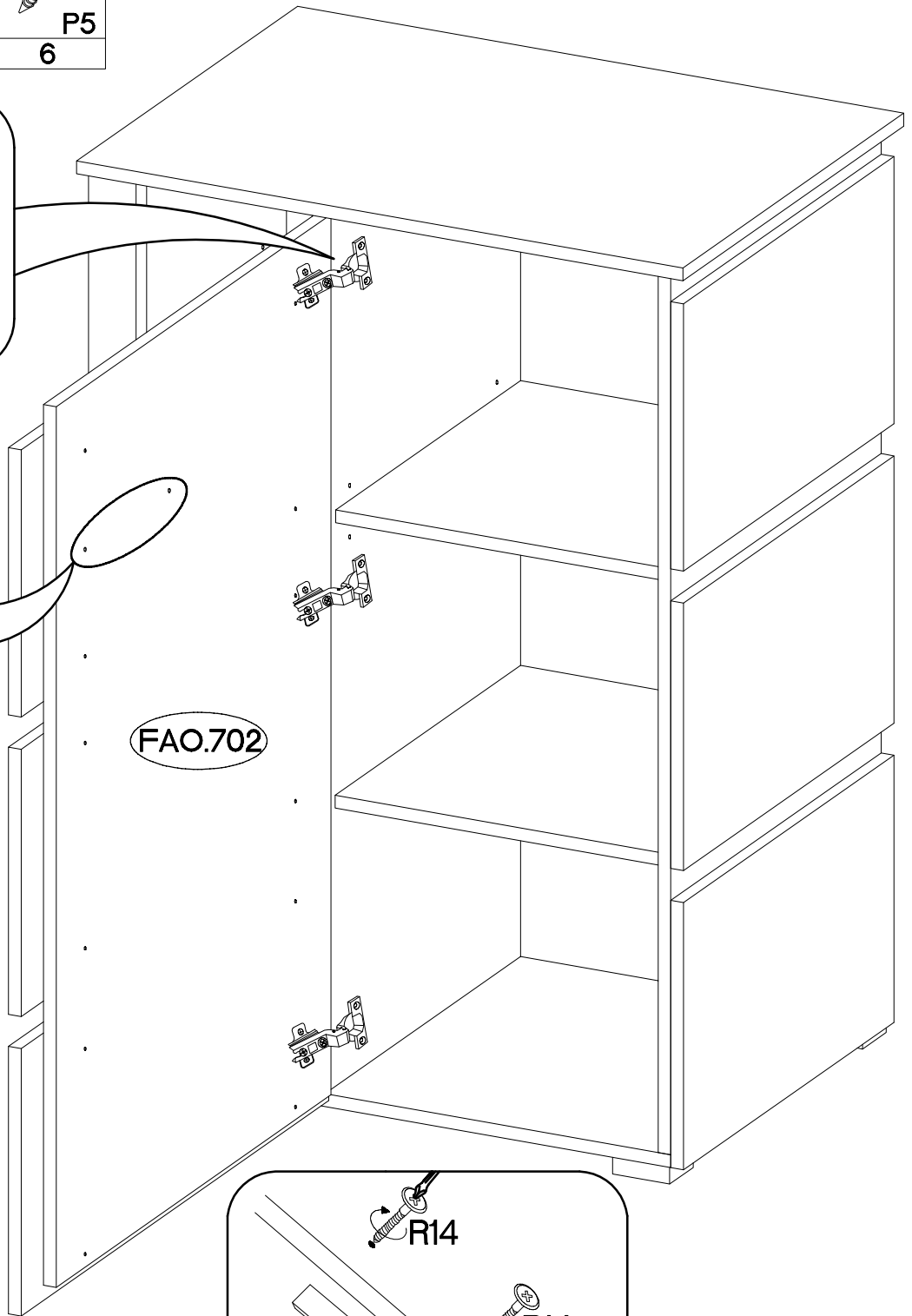
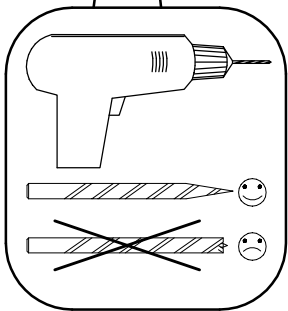
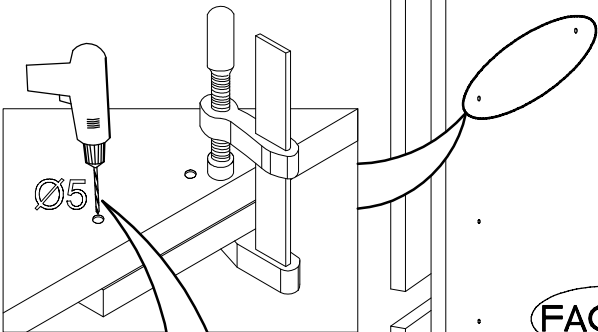
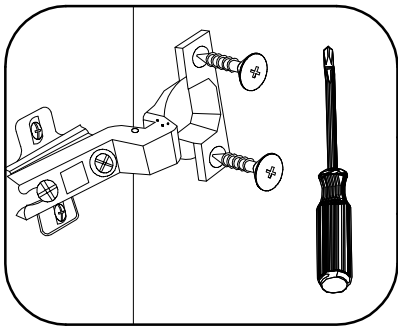
BLACK		±5/16mm
		
E	E	J3
4	16	12

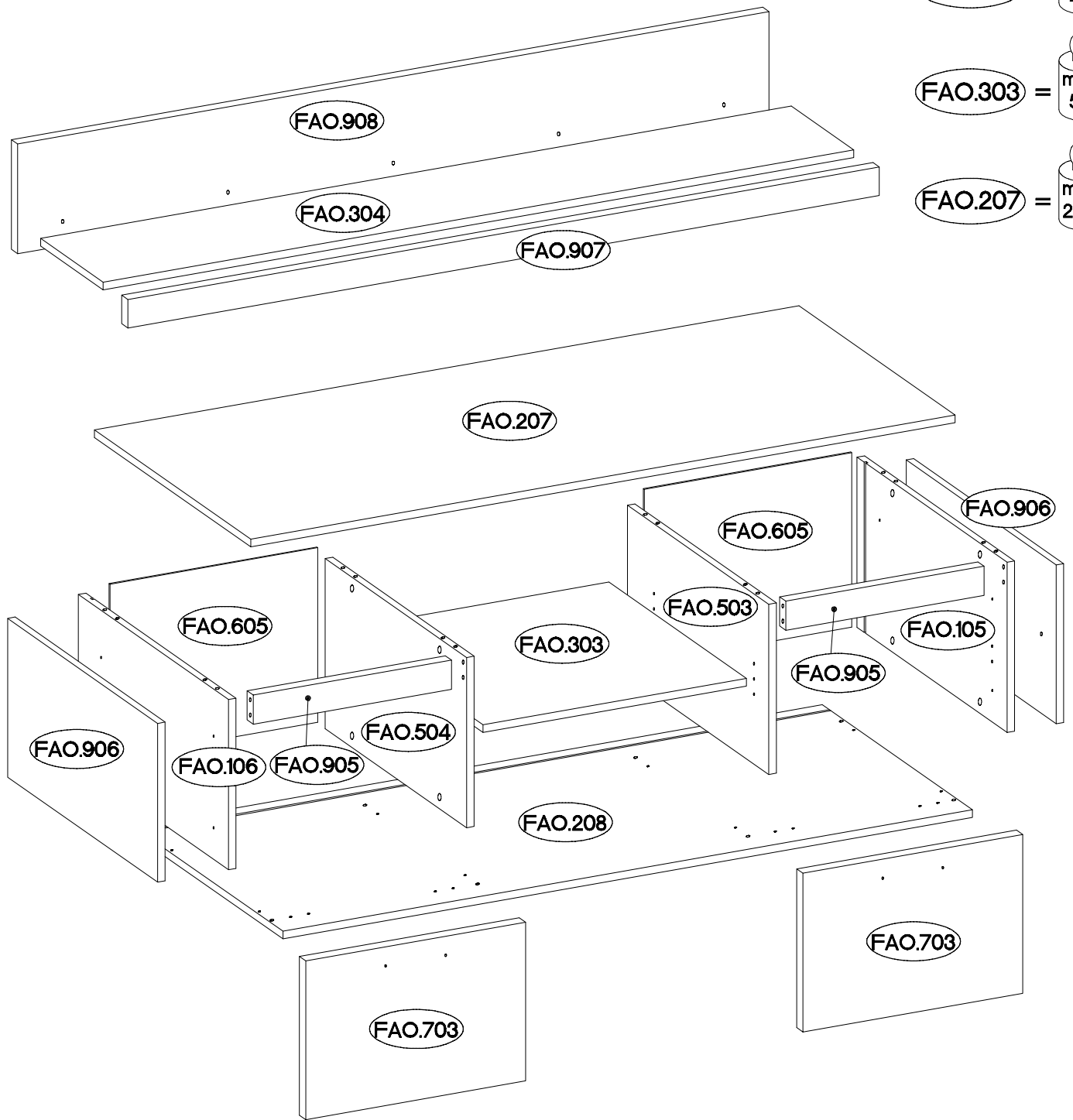


31



L=128mm	4.0x45mm	3.5x13mm
		
S21	R14	P5
1	2	6







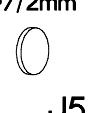


FAO.304 = max. 2kg

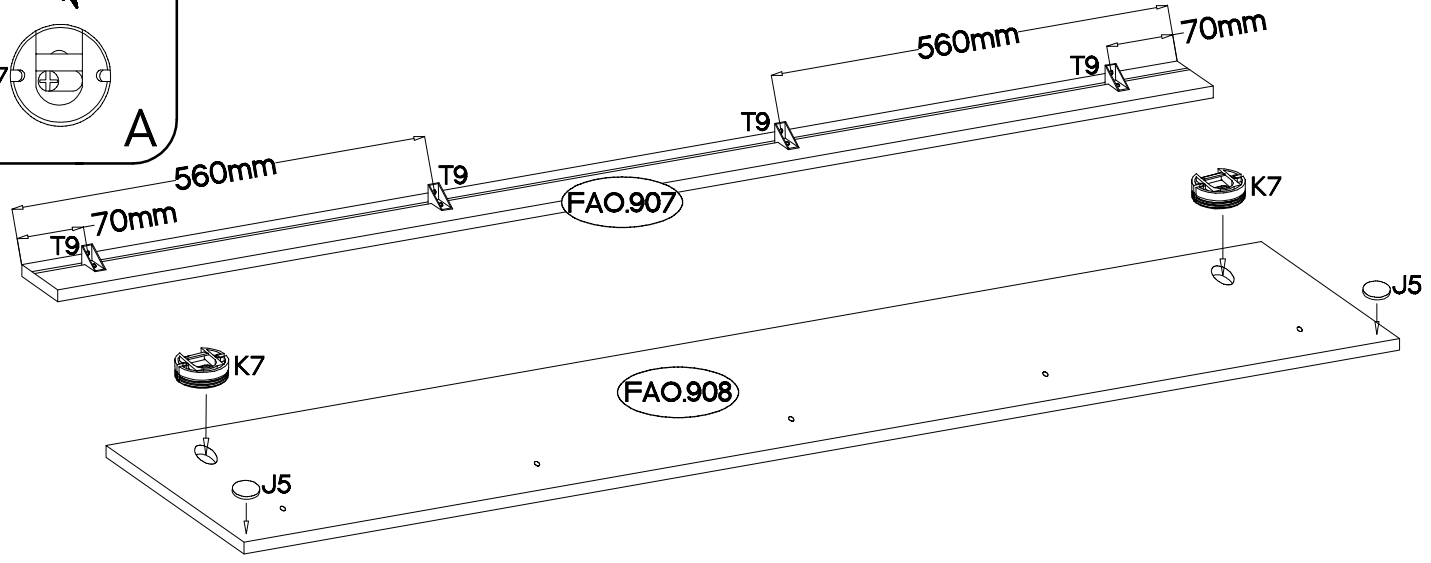
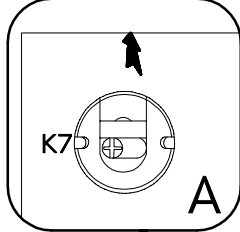
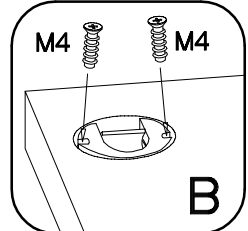
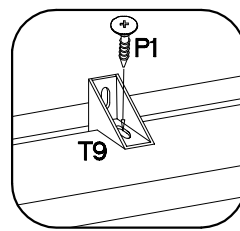
FAO.303 = max. 5kg

FAO.207 = max. 20kg

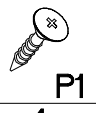
	+6,3x9mm 	5/45mm 	+10x50mm 	+7/2mm 	6,4 x 50mm 			+4.0x16mm 		
2	4	2	2	2	5	1	4	8		
	+35/0mm 	+3.5x13mm 		+4.0x25mm BLACK 	+5 	BLACK 				
4	4	14	6	8	4	8				
+8x30mm 	+8x20mm 	L=20mm 	+15/12mm 		28x90x45 	+4.0x40mm 	L=128mm 	+4.0x27mm 		+3.0x16mm 
24	4	16	16	8	6	18	2	4	2	12

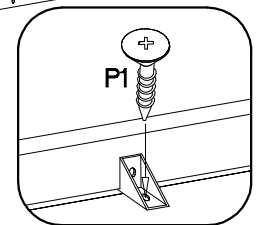
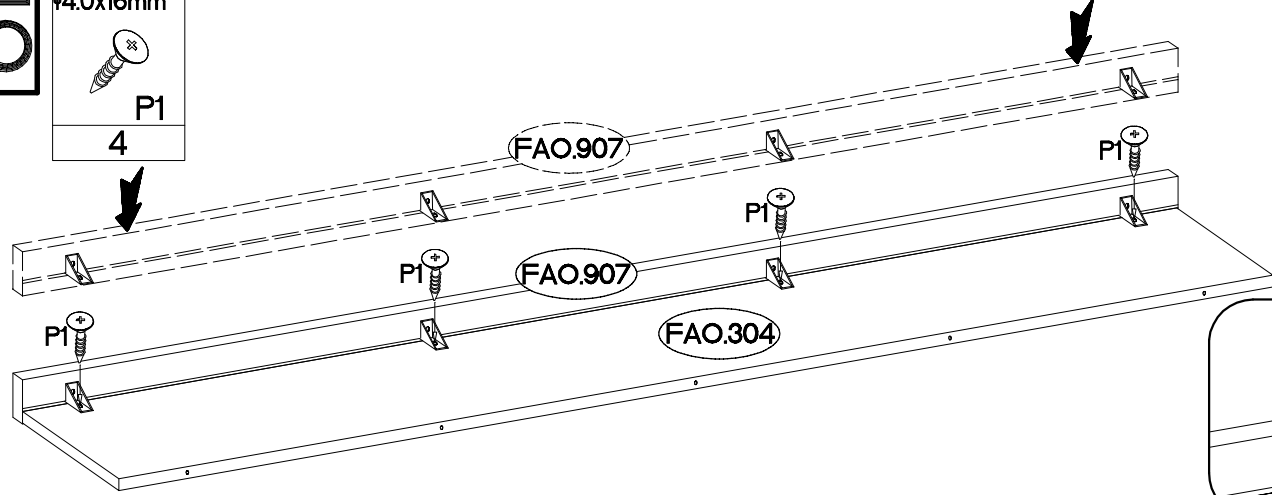
# 34

				
K7	M4	J5	T9	P1
2	4	2	4	4

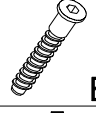



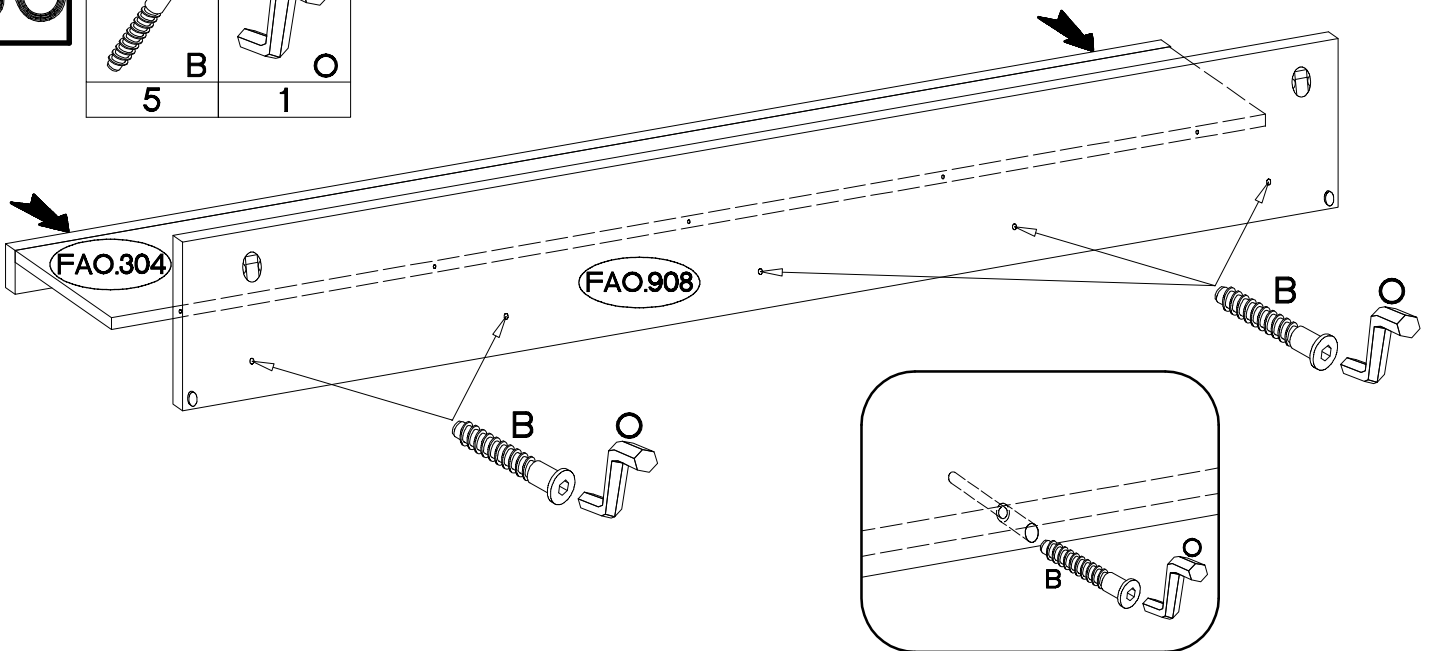
# 35


P1
4



# 36

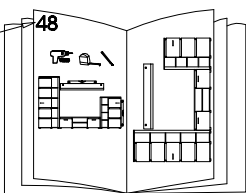
	
B	O
5	1



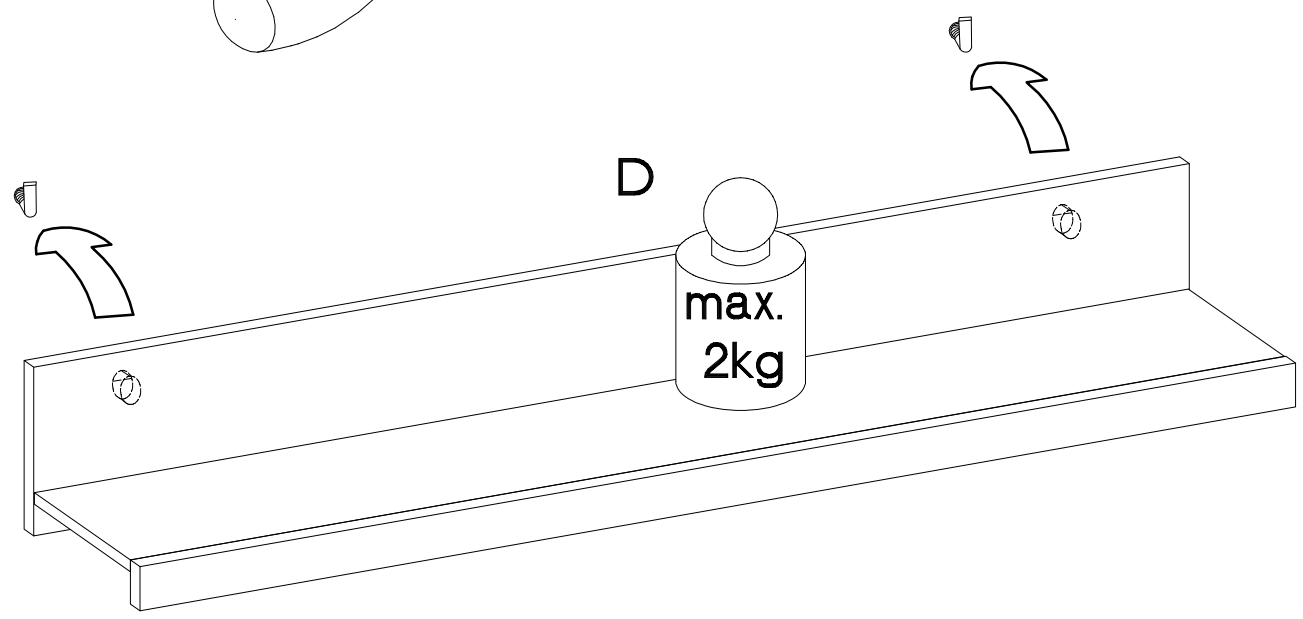
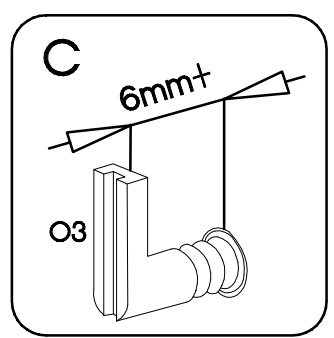
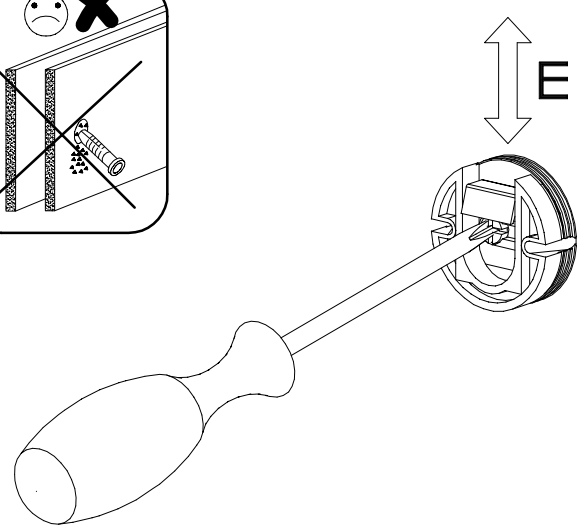
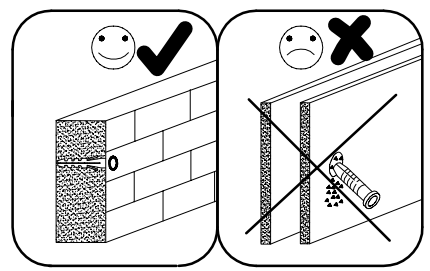
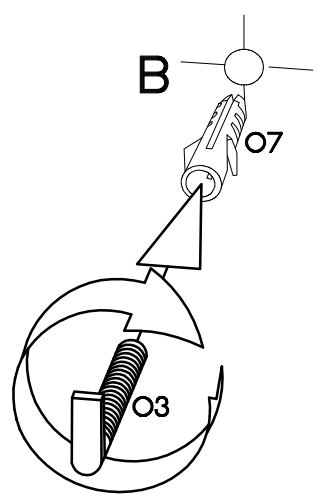
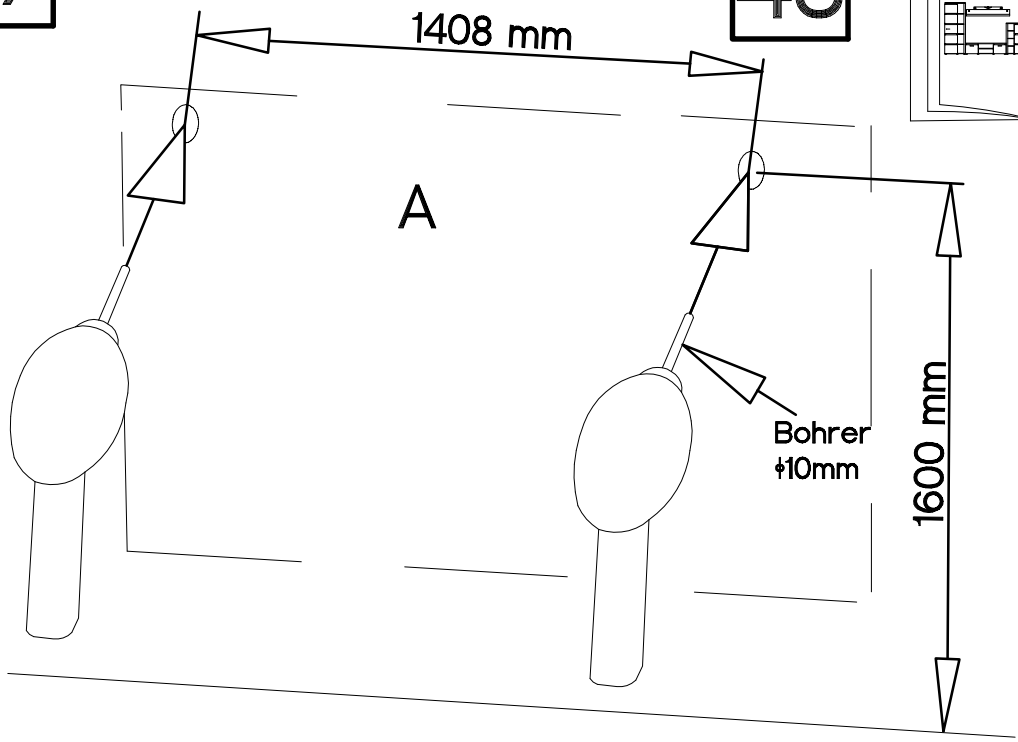


37

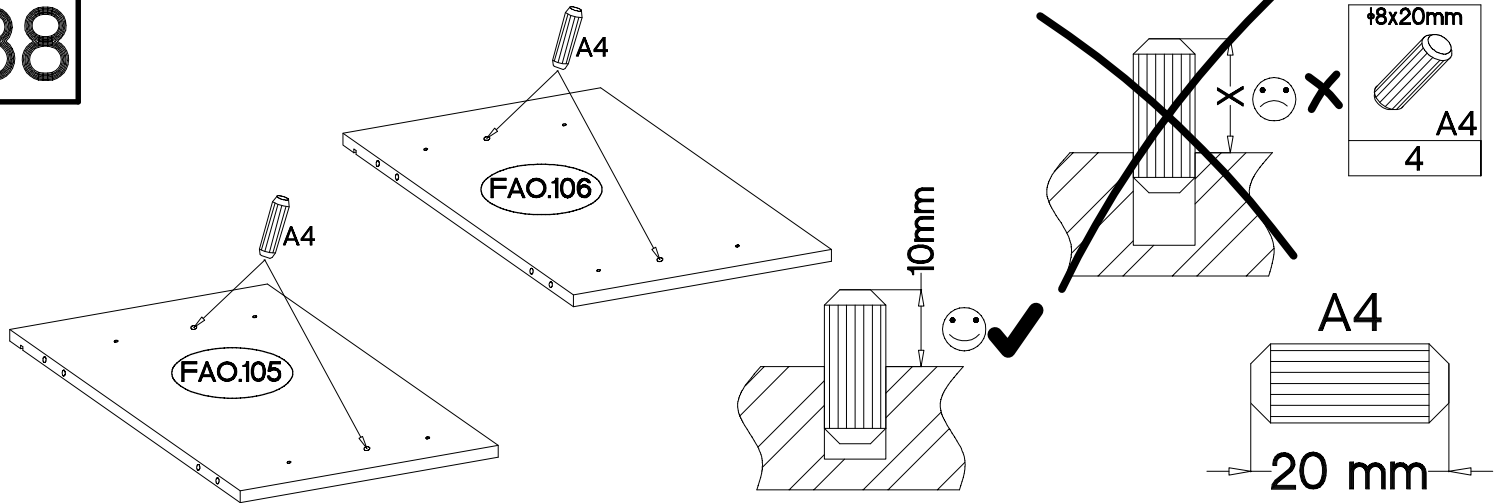
48



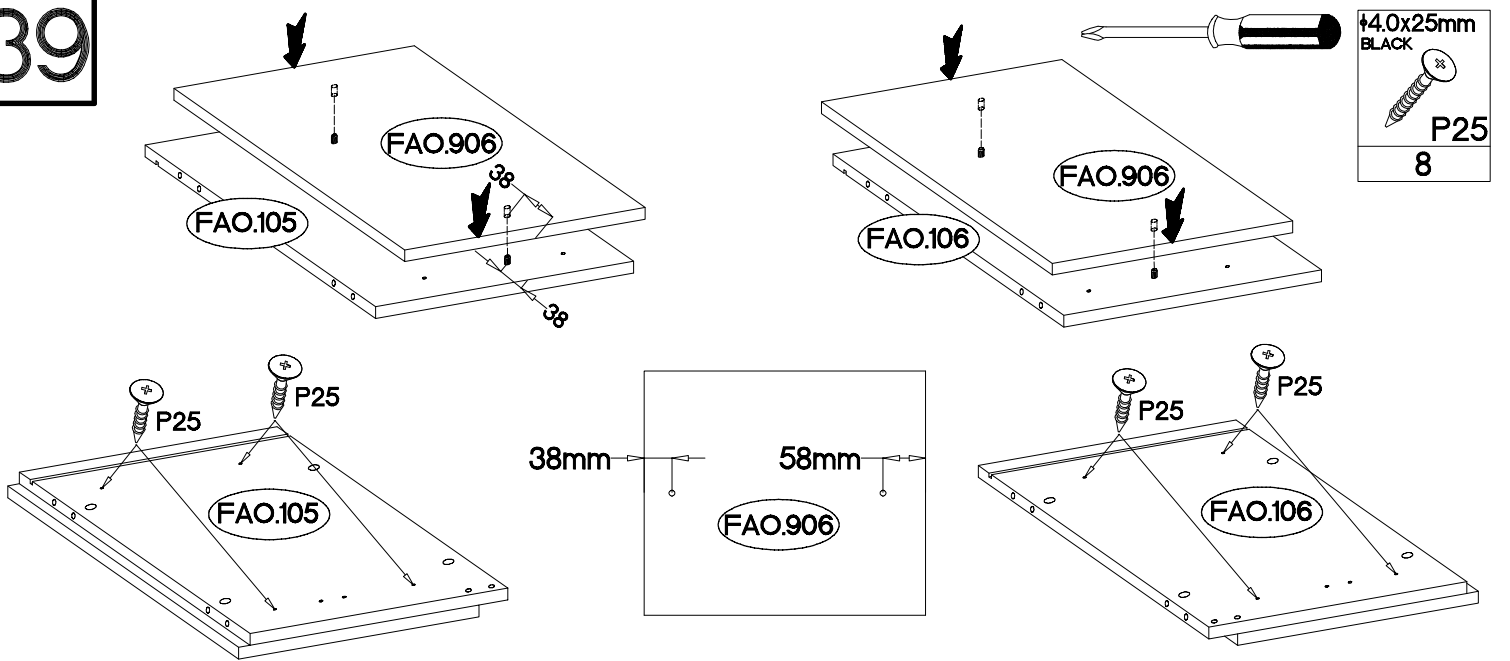
5/45mm	†10x50mm
O3	O7
2	2



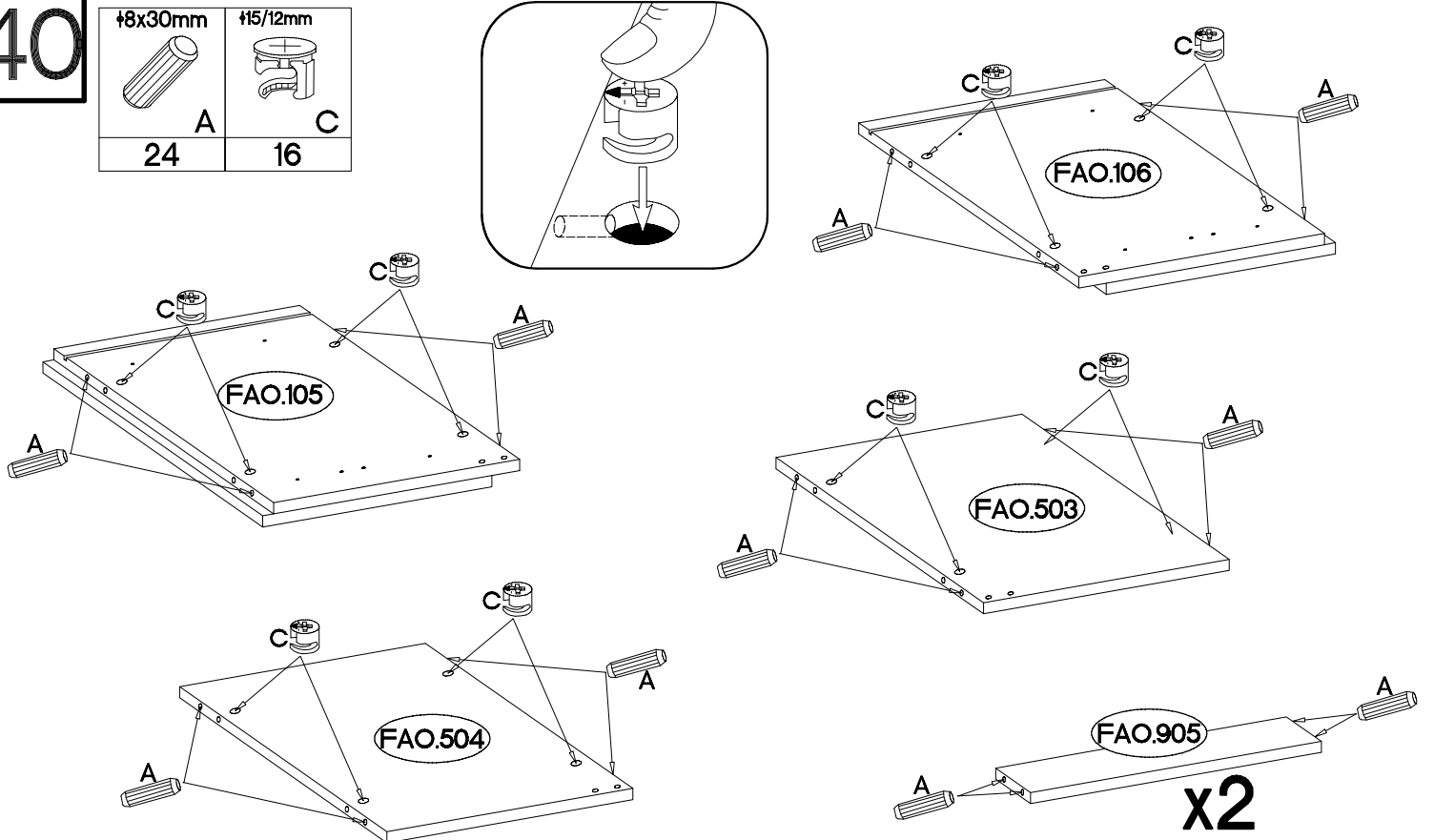
38



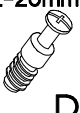
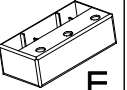

39

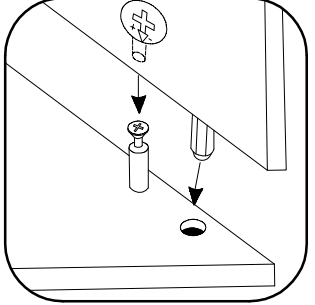
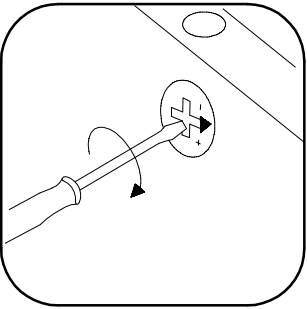
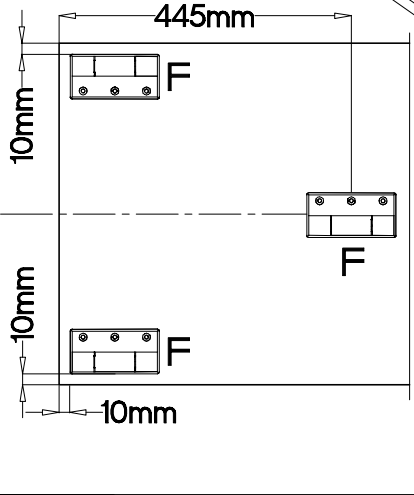
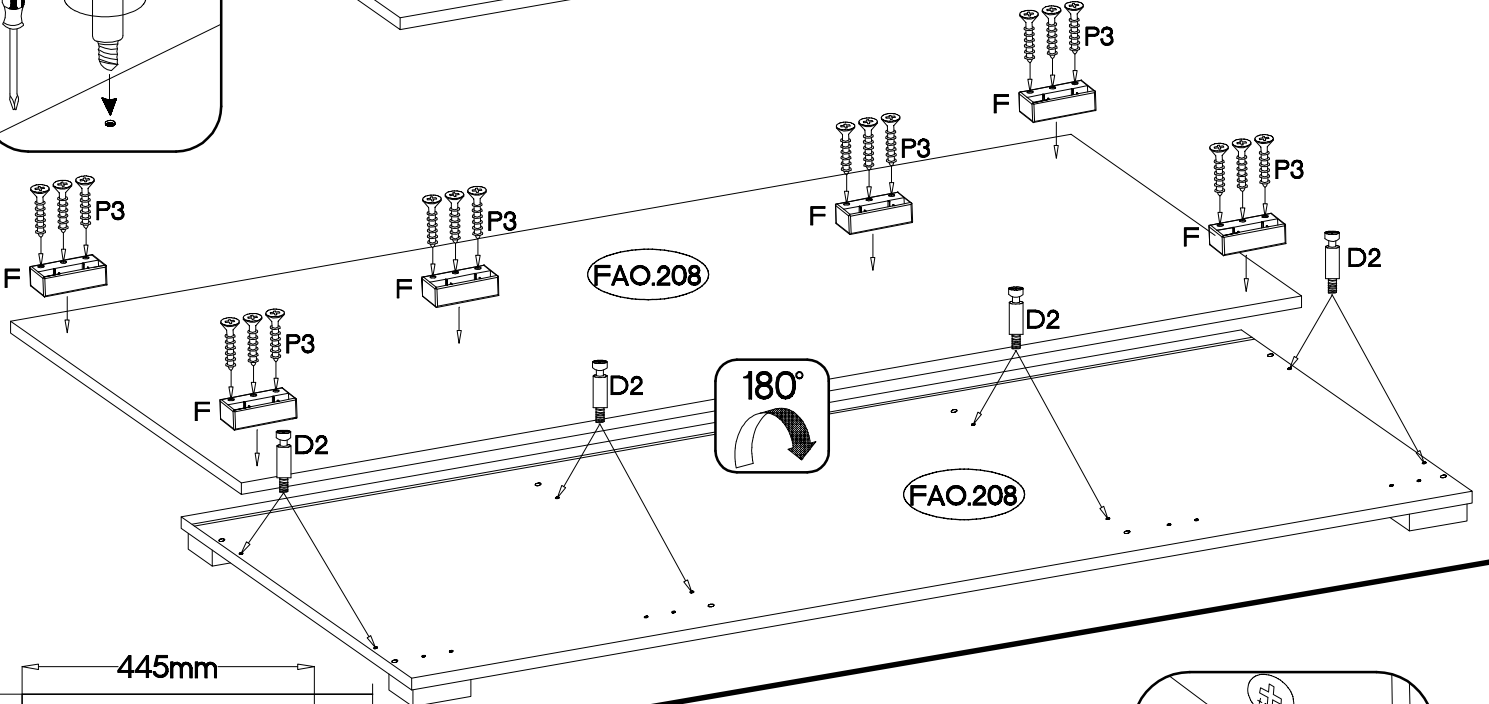
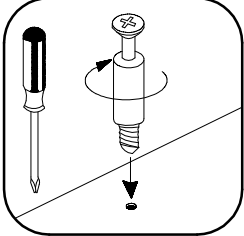
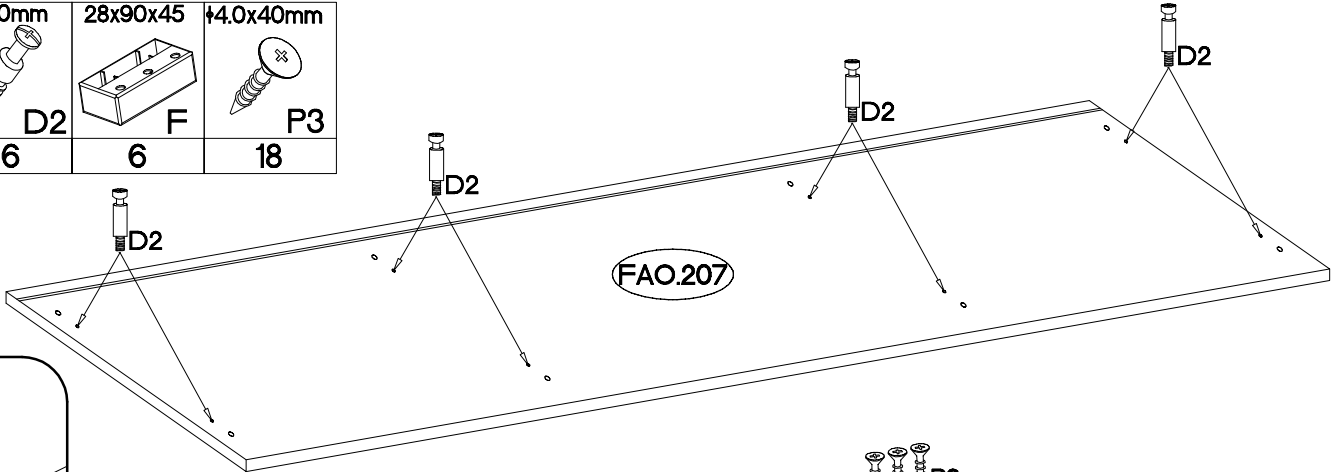


40

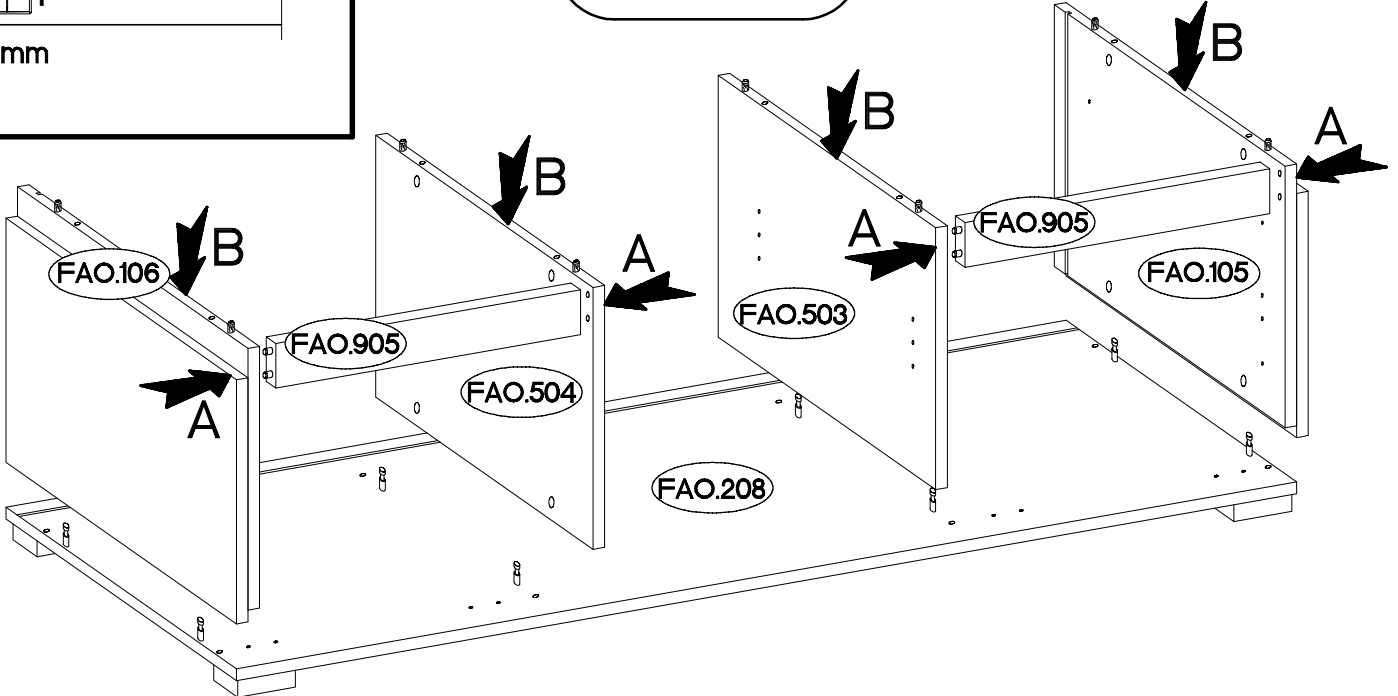


# 41

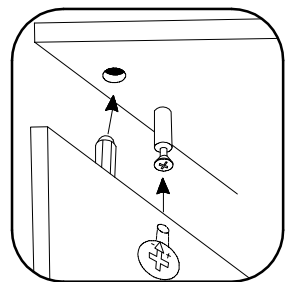
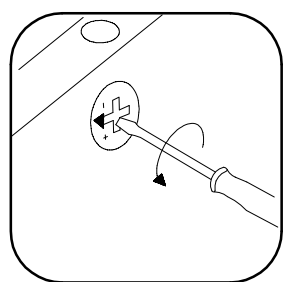
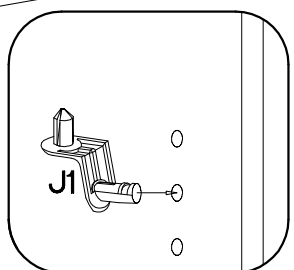
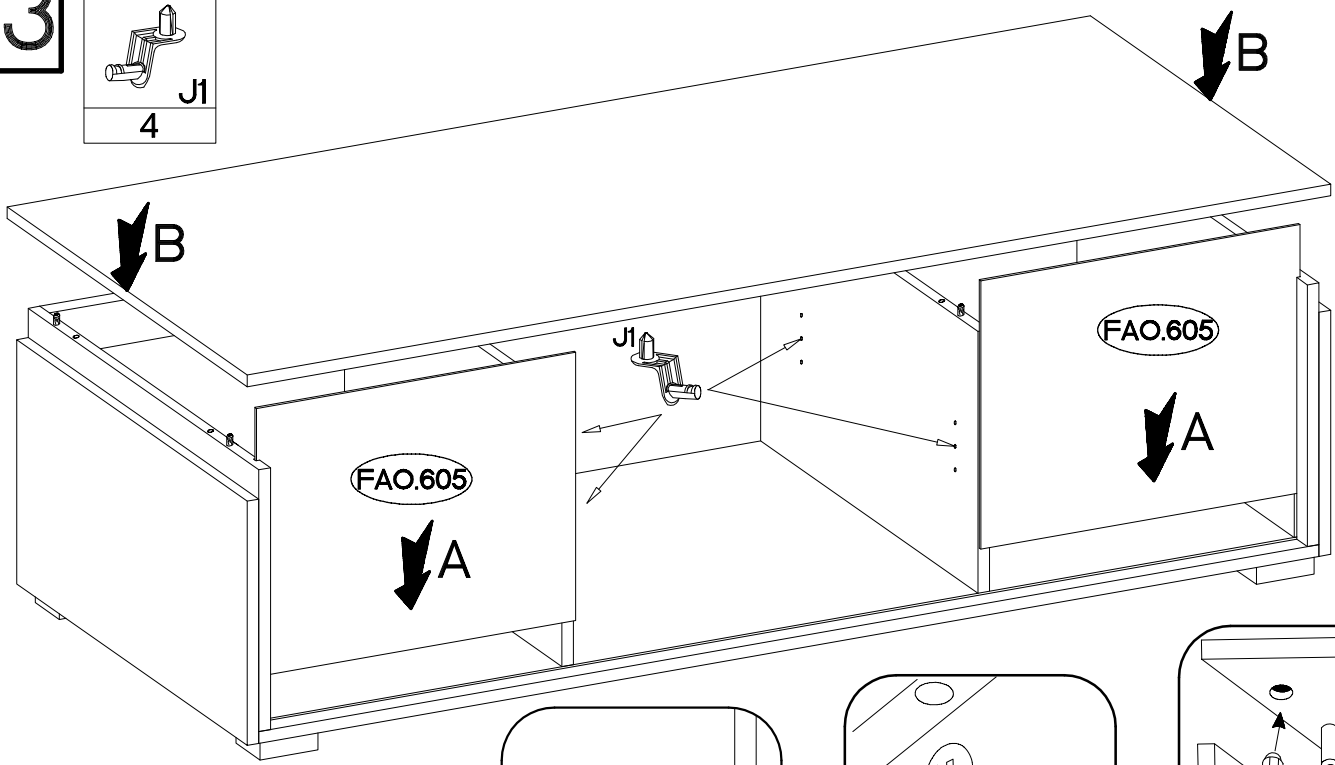
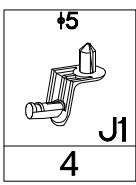
L=20mm  D2 16	28x90x45  F 6	4.0x40mm  P3 18
--	--	--



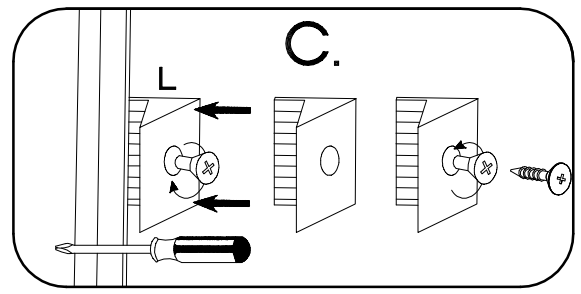
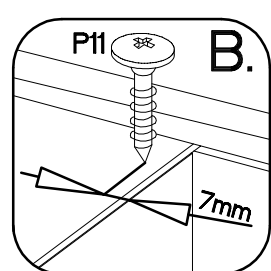
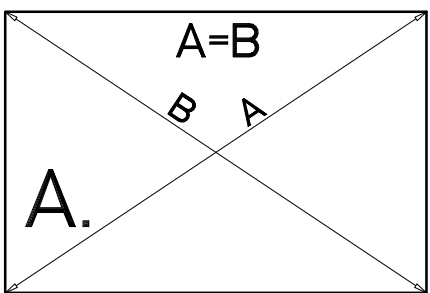
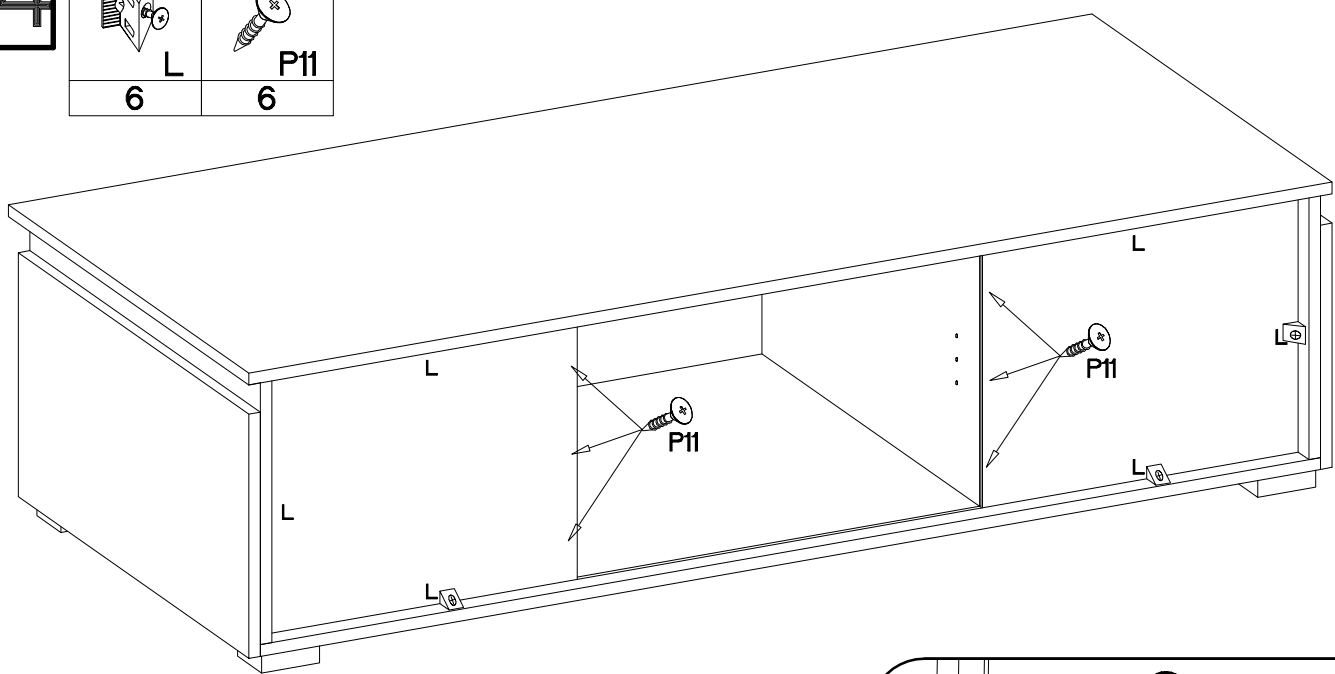
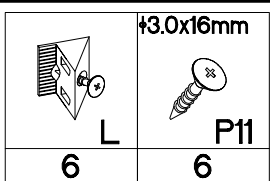
# 42



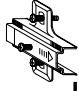
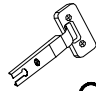

43

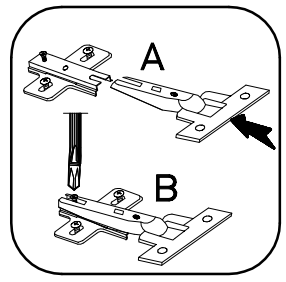
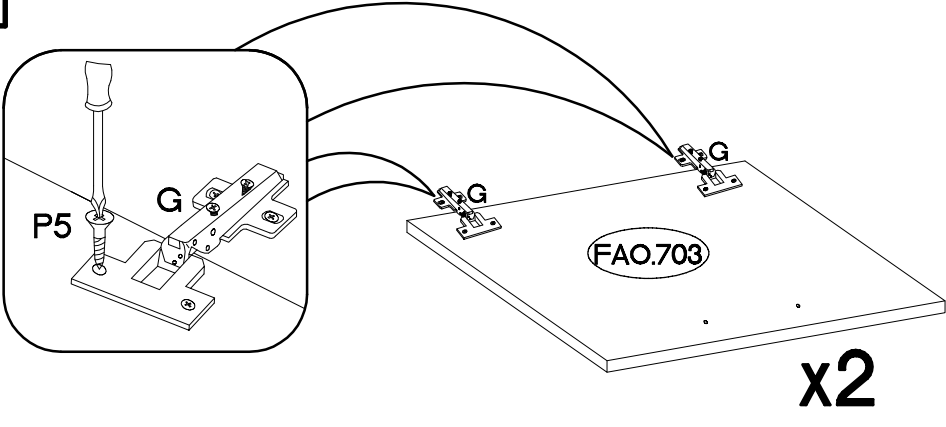


44





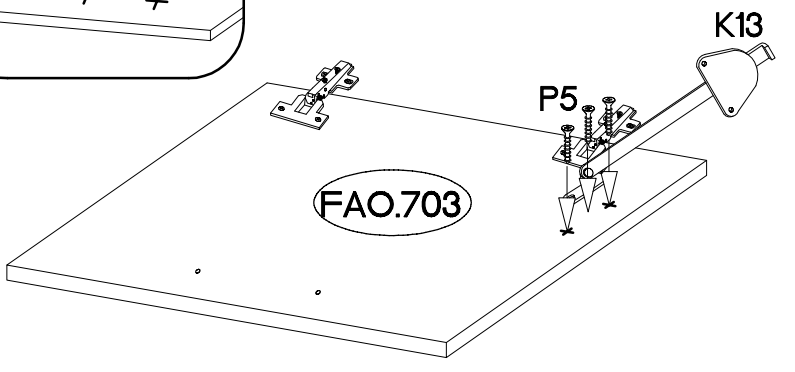
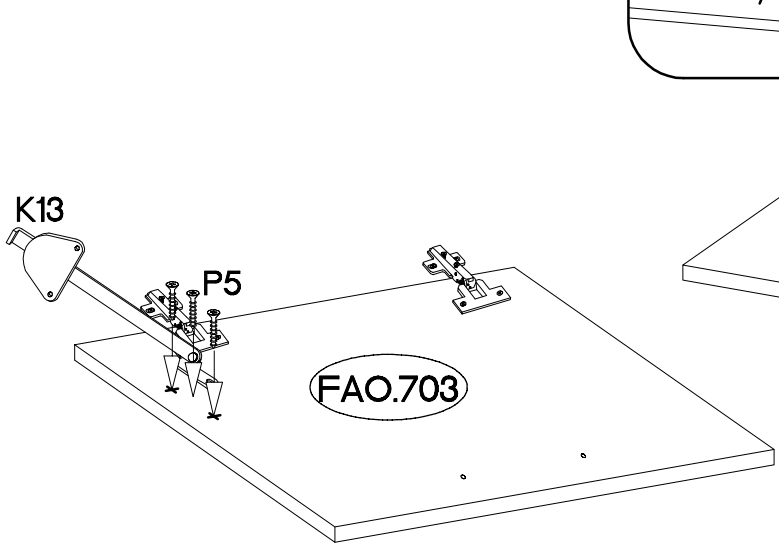
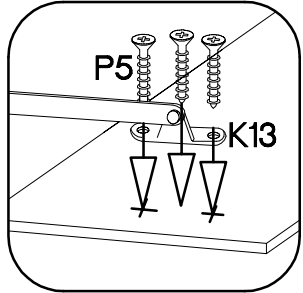
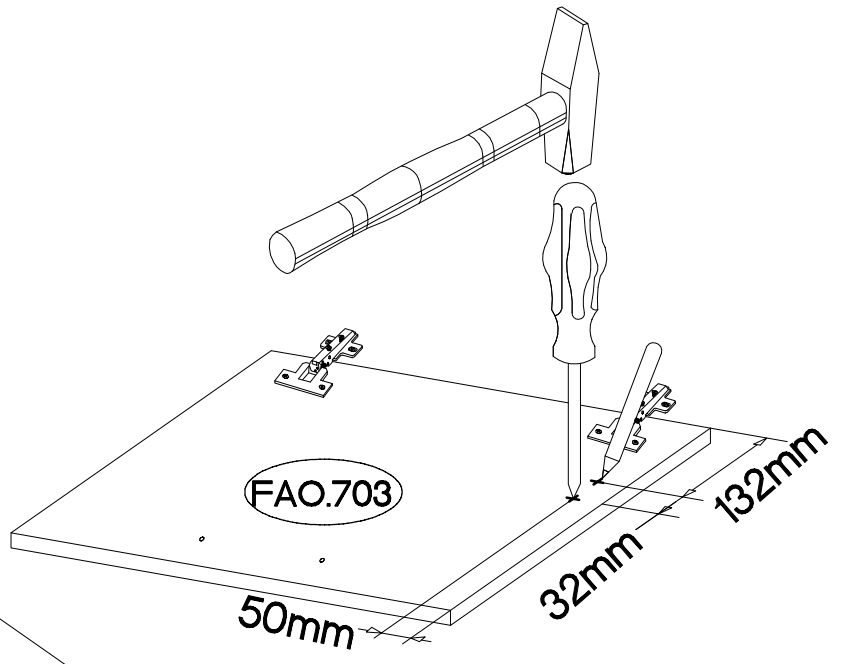
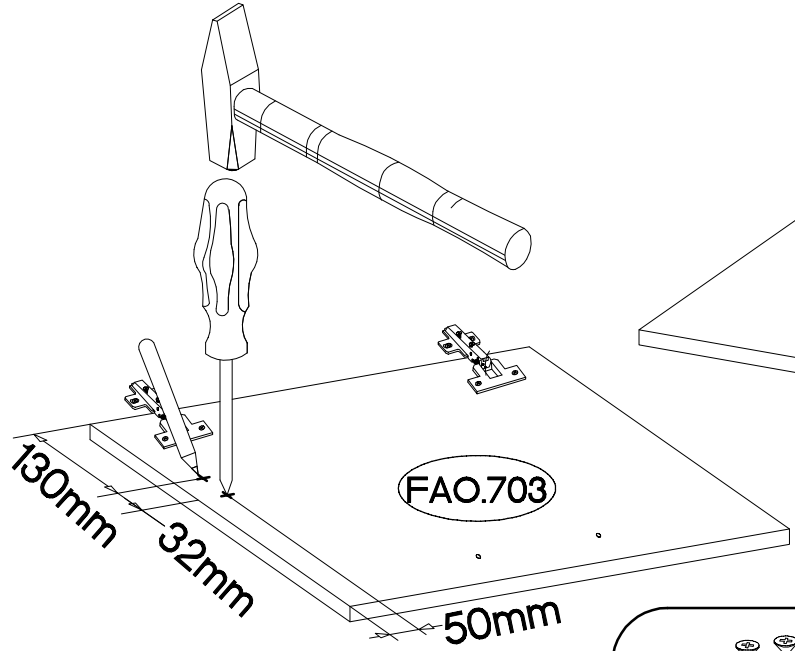
45

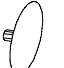



H-0  H 4	+35/0mm  G 4	+3.5x13mm  P5 8
---	---	--



46

 K13 2	+3.0x16mm  P11 6
---	--



	$\pm 3.5 \times 13 \text{mm}$ 	$L=128 \text{mm}$ 	$\pm 4.0 \times 27 \text{mm}$ 
<b>E</b>	<b>P5</b>	<b>S21</b>	<b>R1</b>
16	6	2	4

