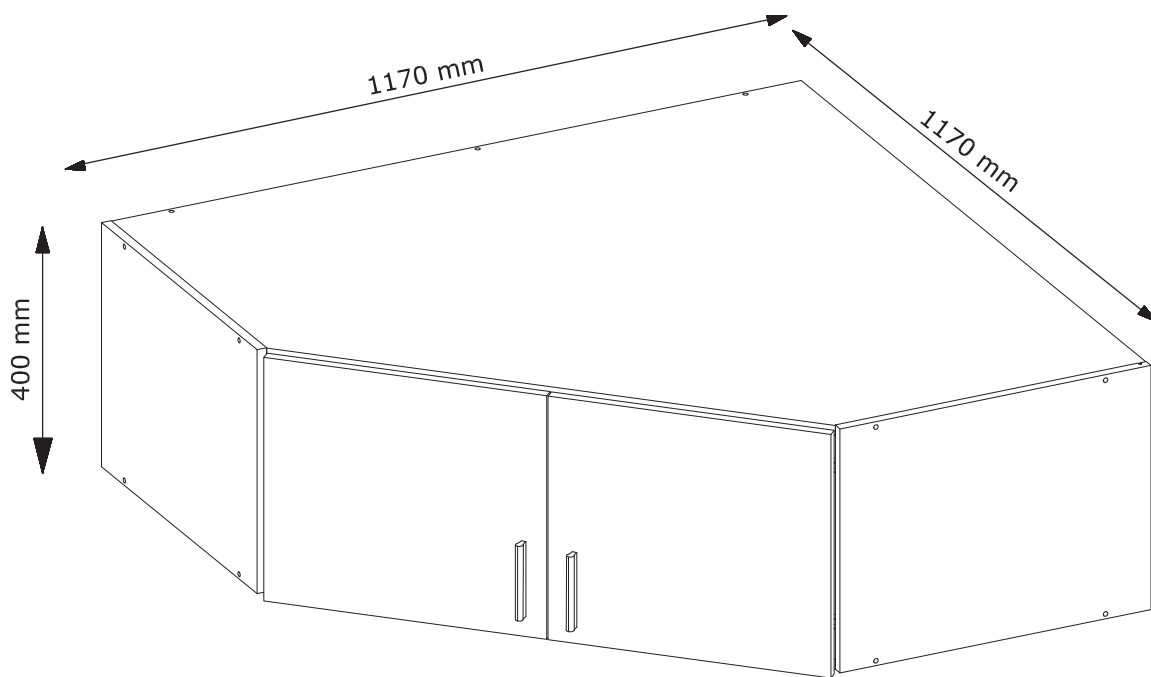
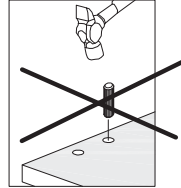
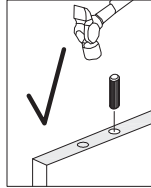
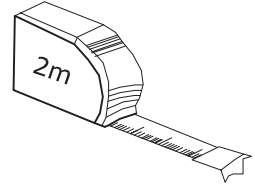
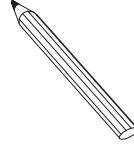
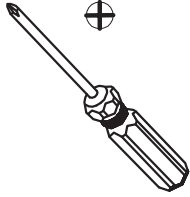
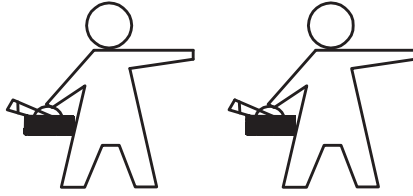
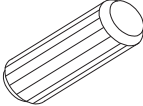
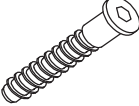
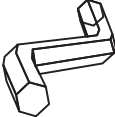

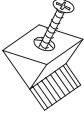



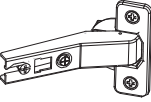
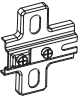


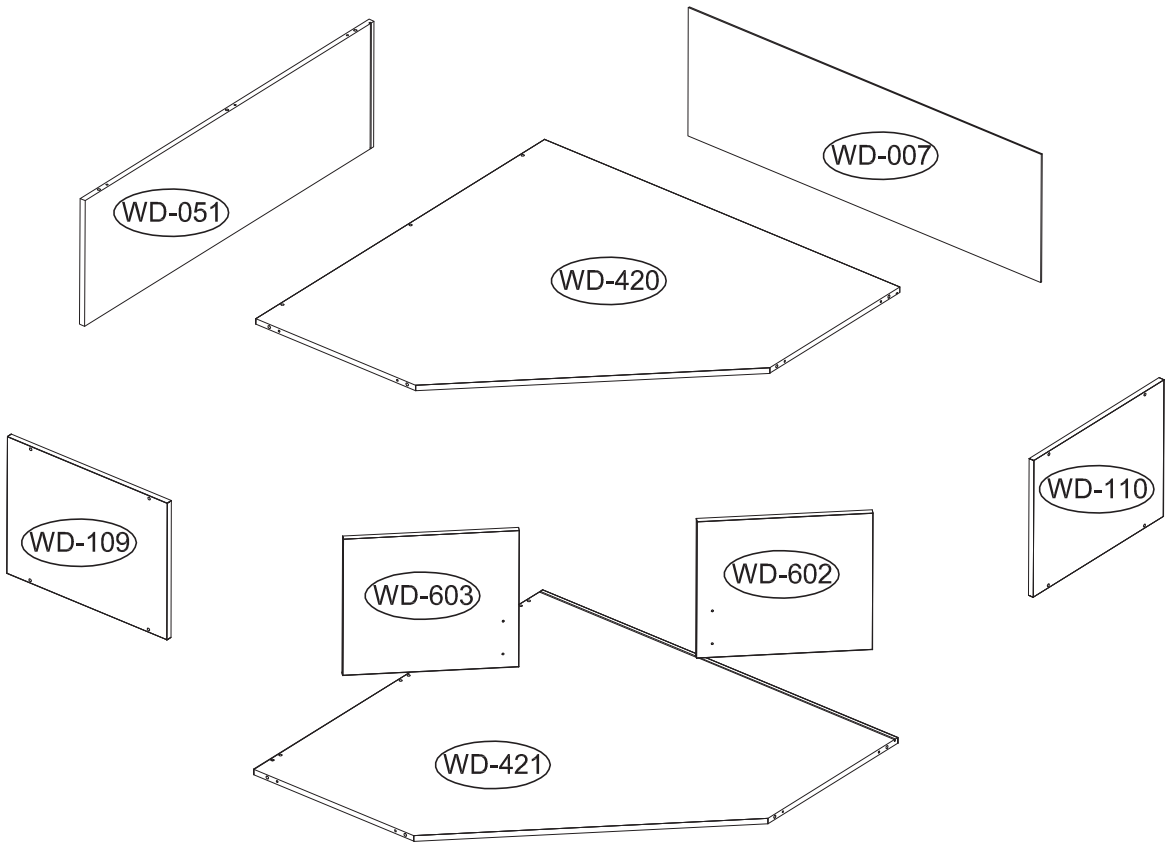
SNOW

06A

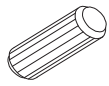




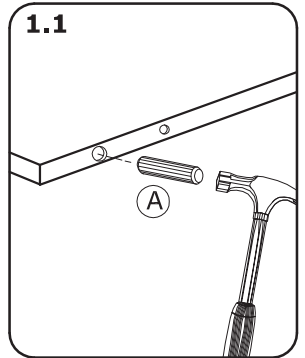
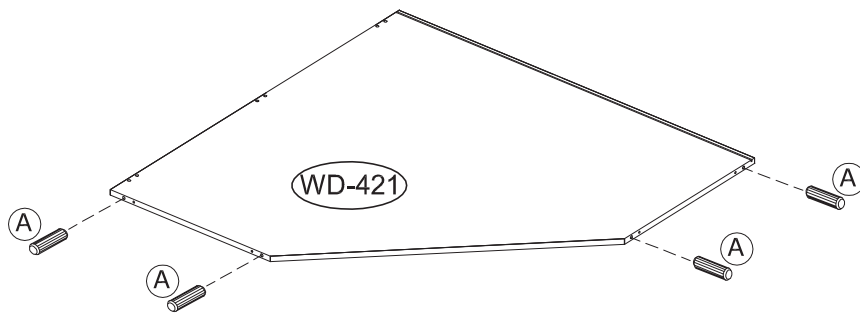
 Ø8x30mm Ax16	 Ø6,4x50mm T-14	 4,0 mm V1-1	 C-11
 Ox10	 Ø3.5x16mm Hx8	 Ø4,0x25mm Rx4	 Lx2
 ZTx4	 ZPx4		



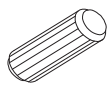
1



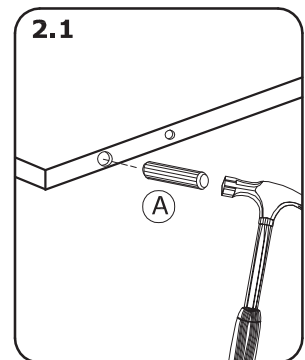
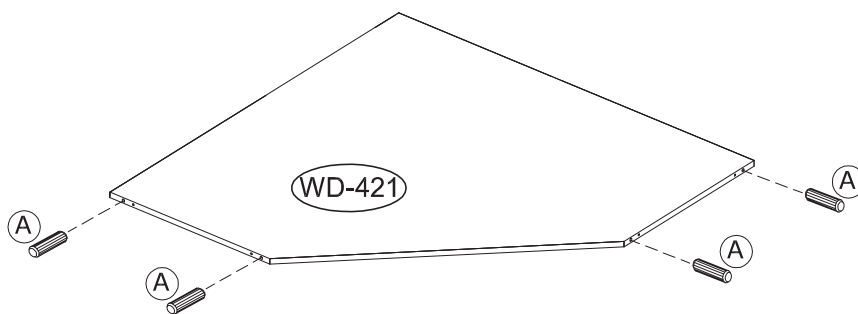
Ax4



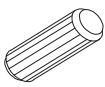
2



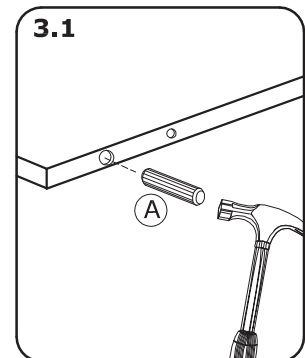
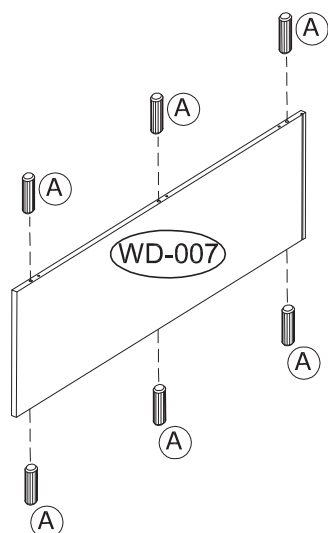
Ax4



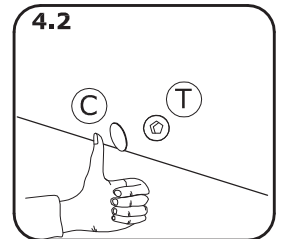
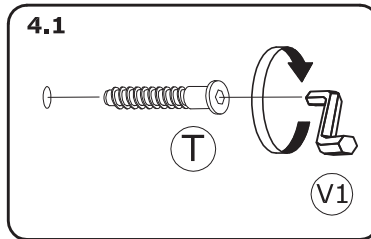
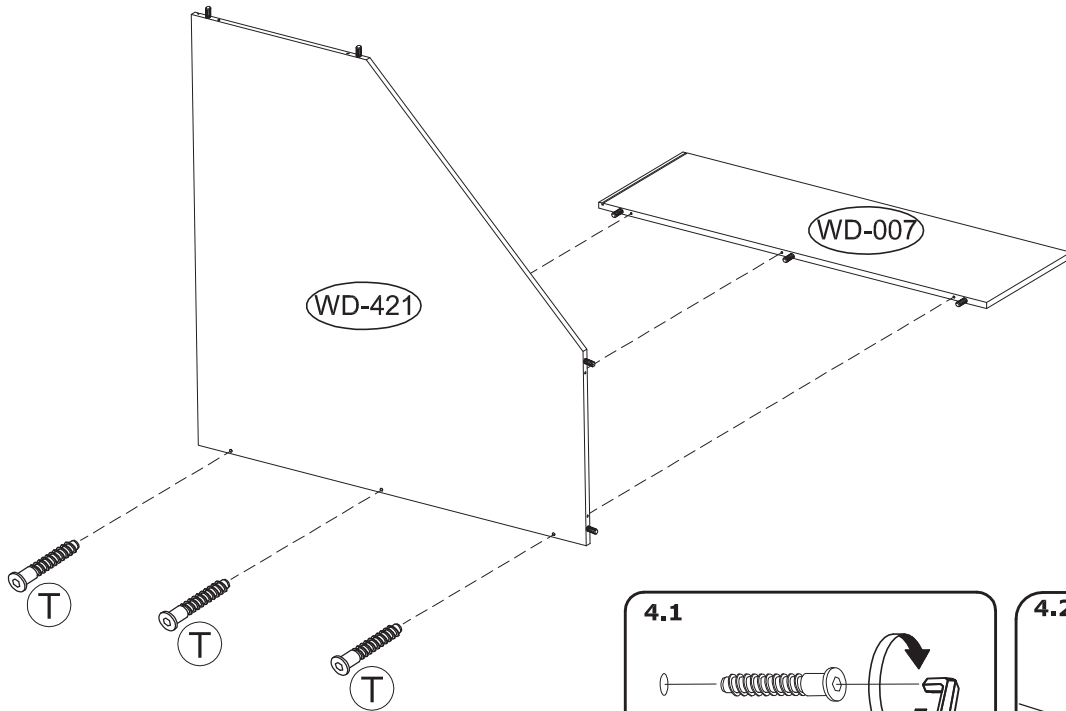
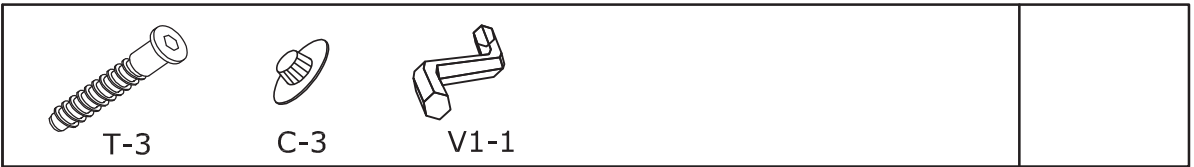
3



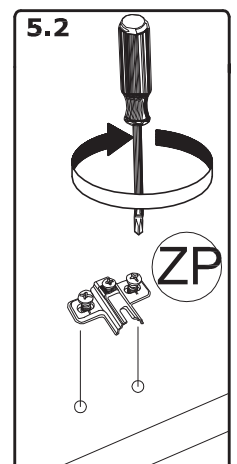
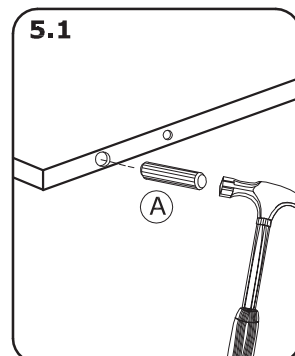
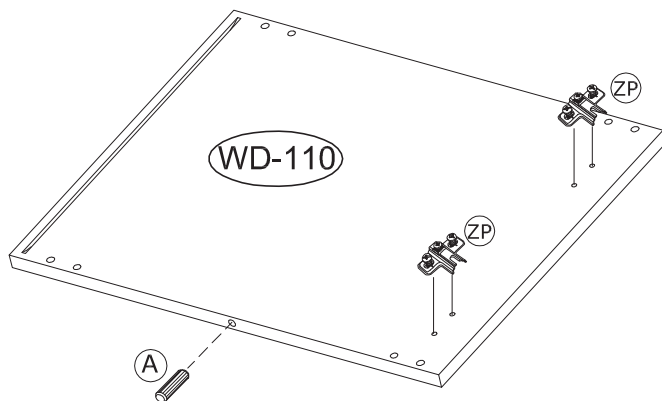
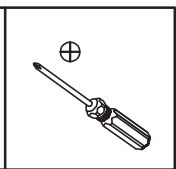
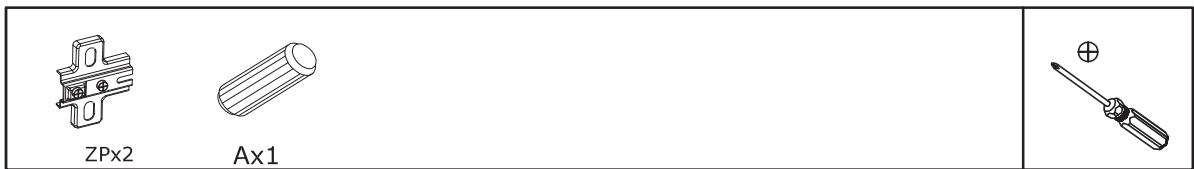
Ax6



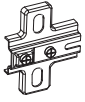
4



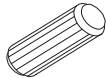
5



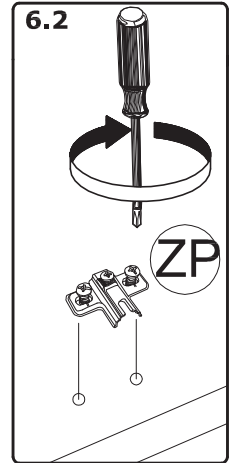
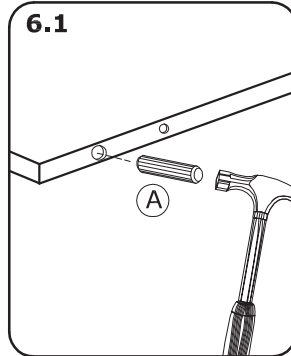
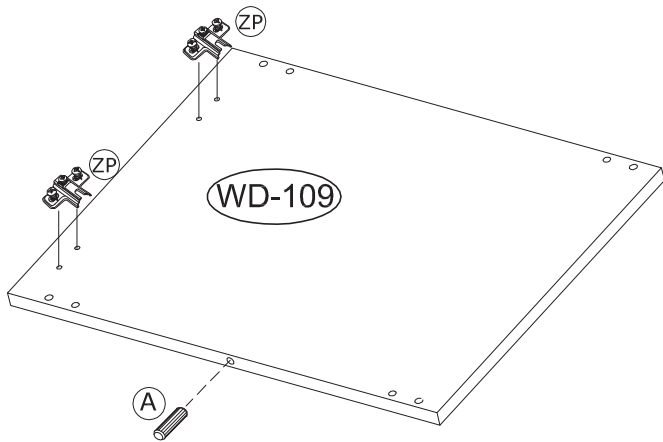
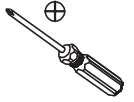
6



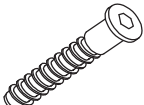
ZPx2



Ax1



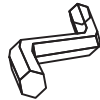
7



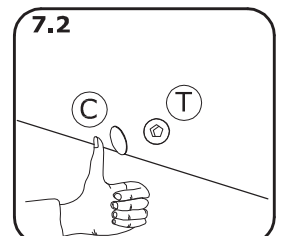
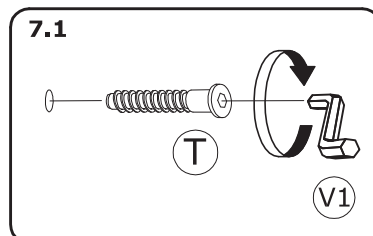
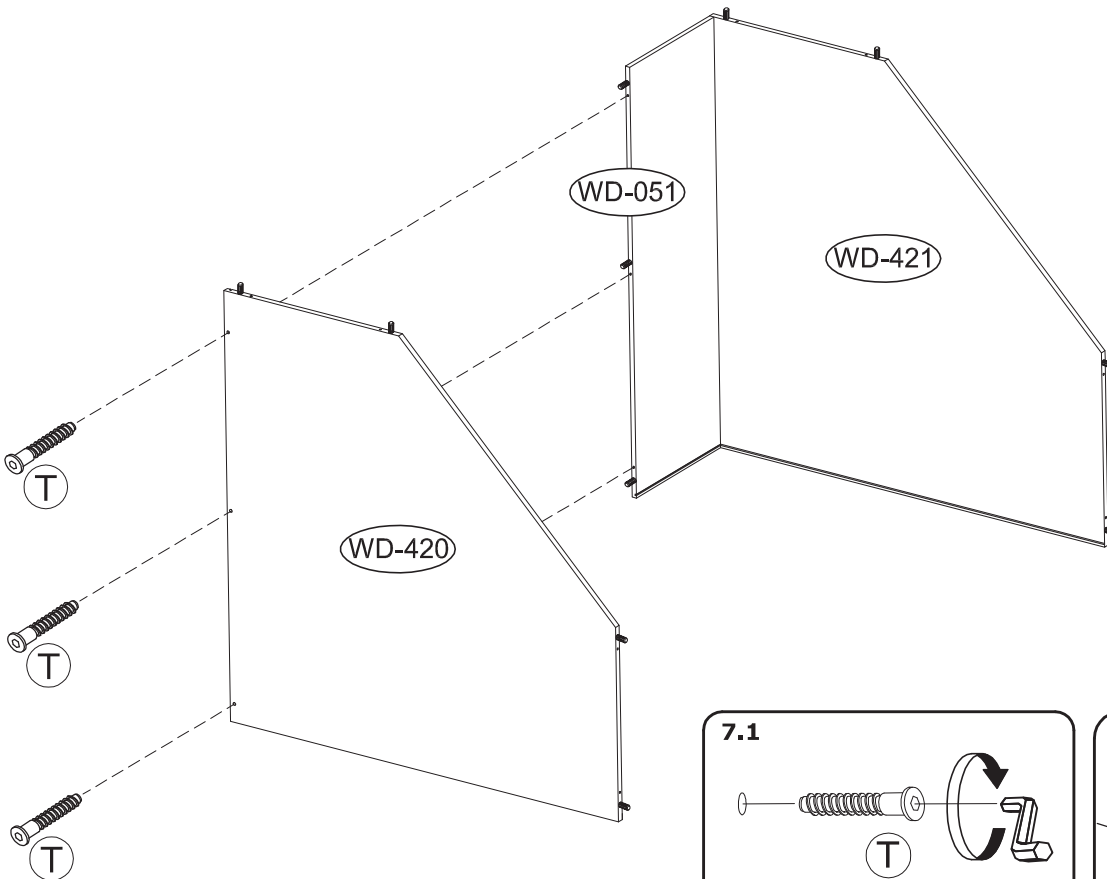
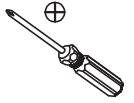
T-3



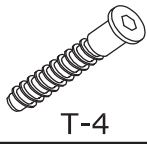
C-3



V1-1



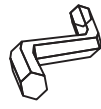
8



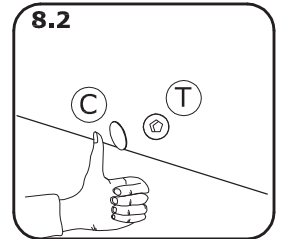
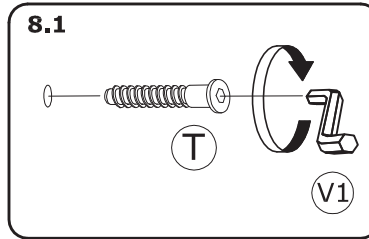
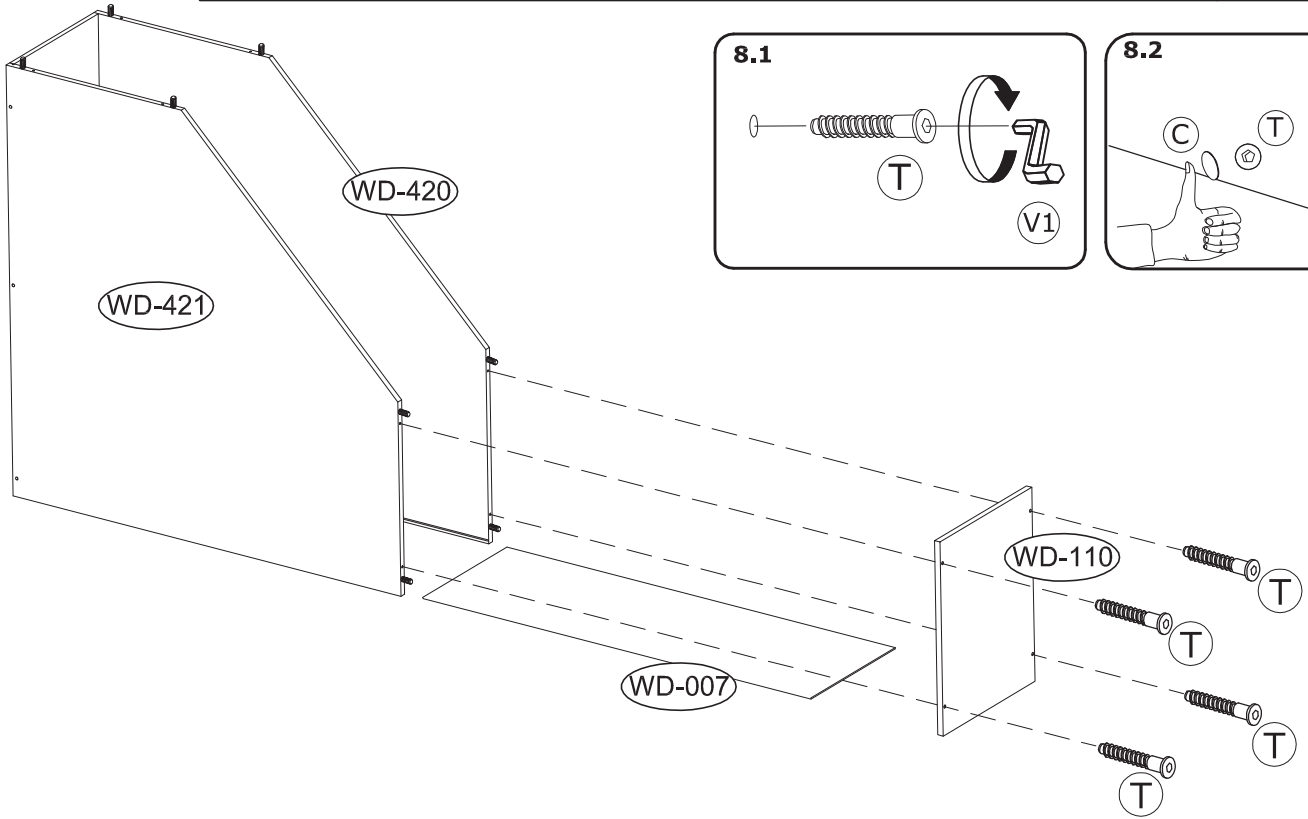
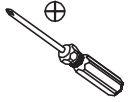
T-4



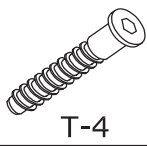
C-4



V1-1



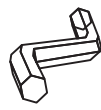
9



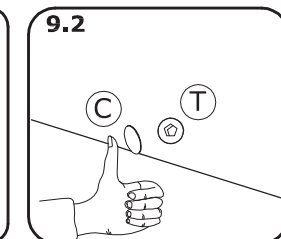
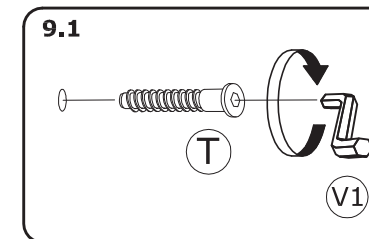
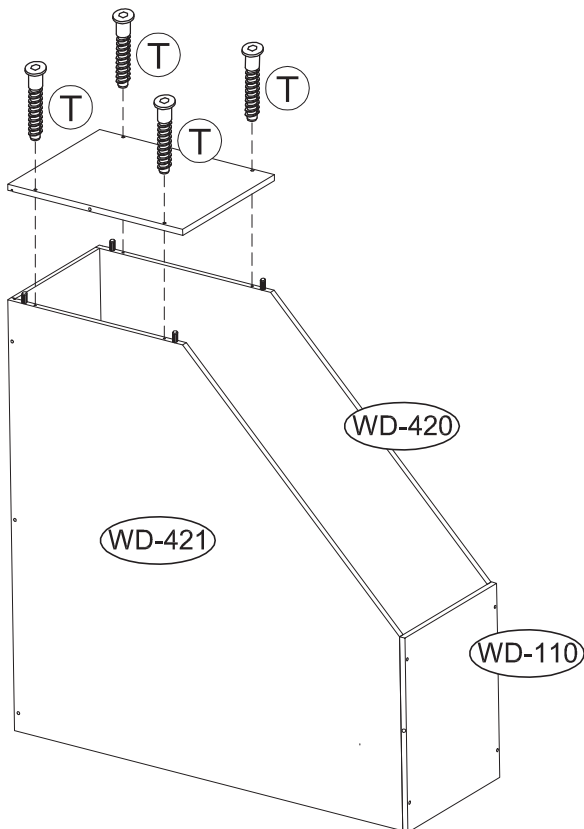
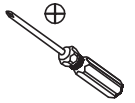
T-4



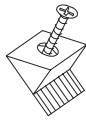
C-4



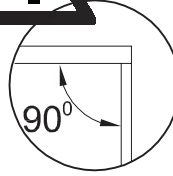
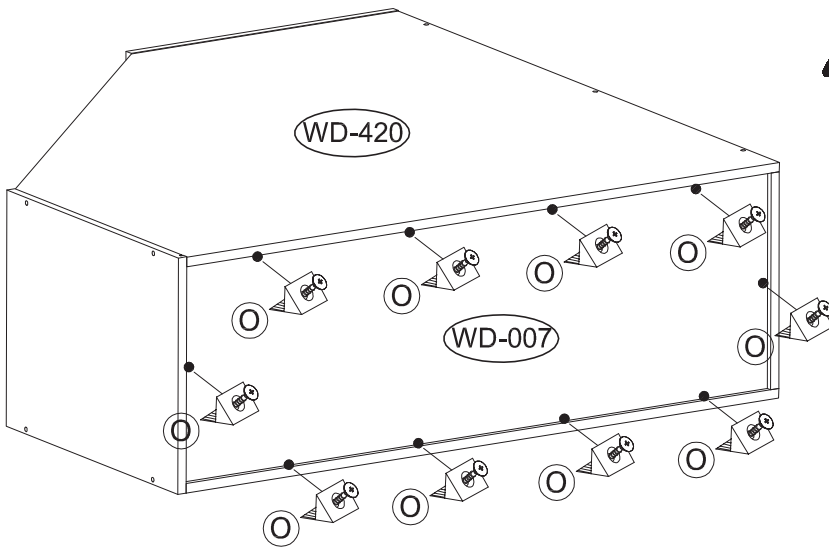
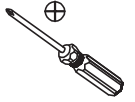
V1-1



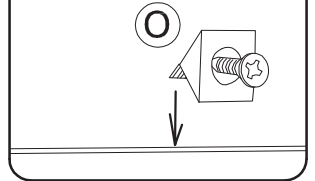
10



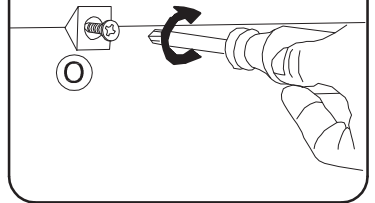
Ox10



10.1



10.2



11



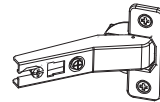
Lx2



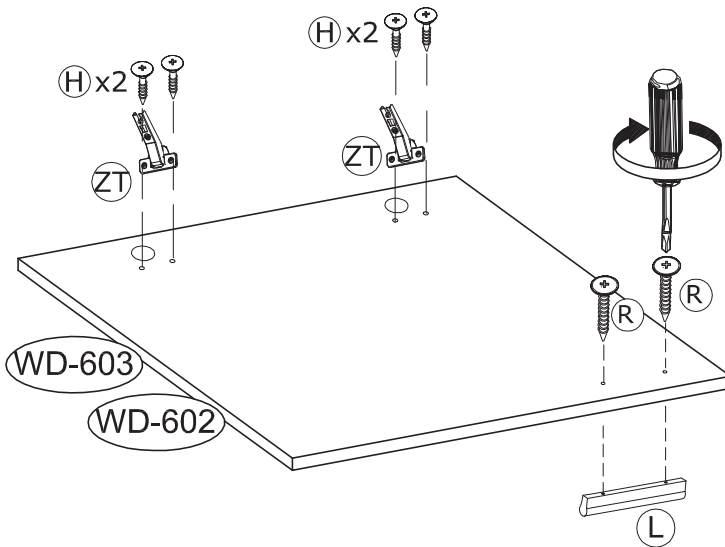
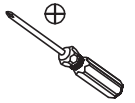
Rx4



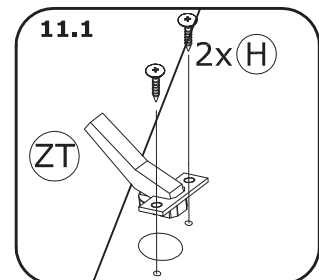
Hx16



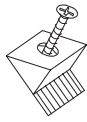
ZTx4



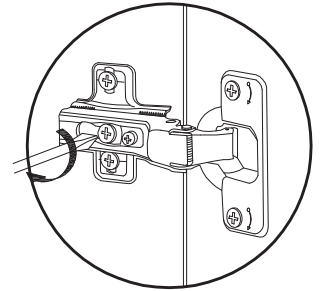
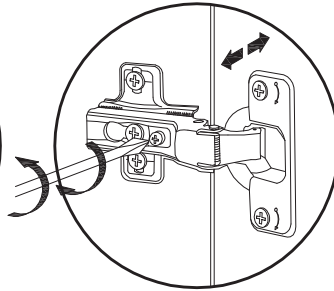
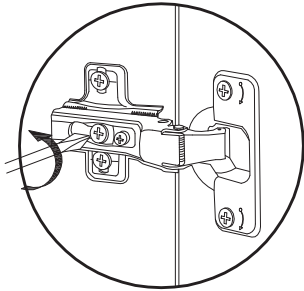
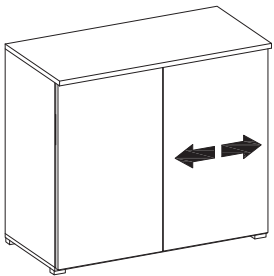
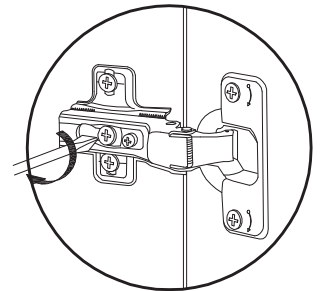
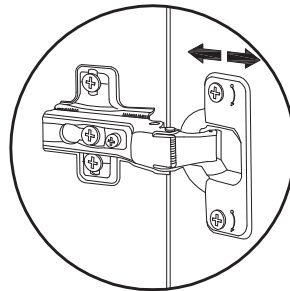
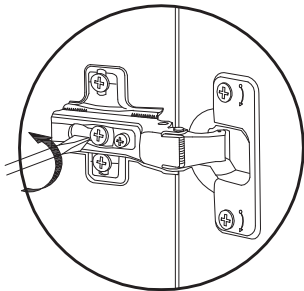
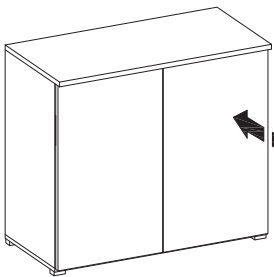
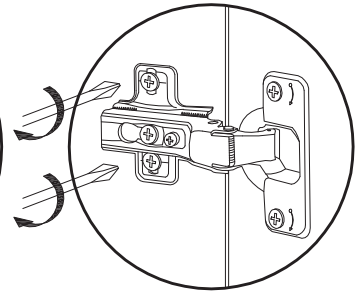
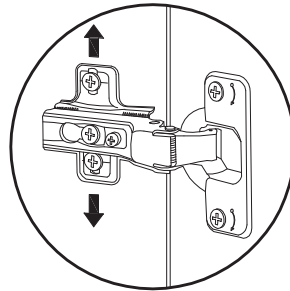
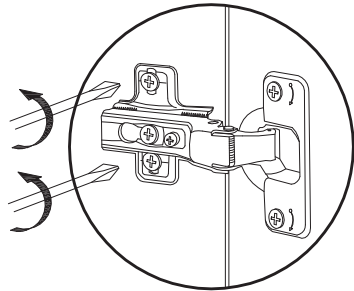
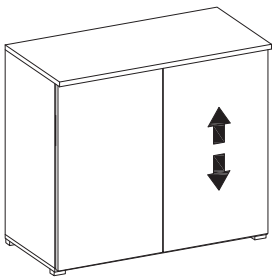
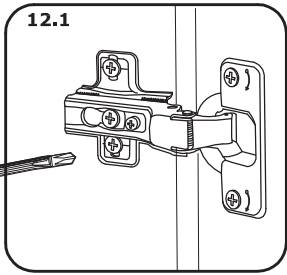
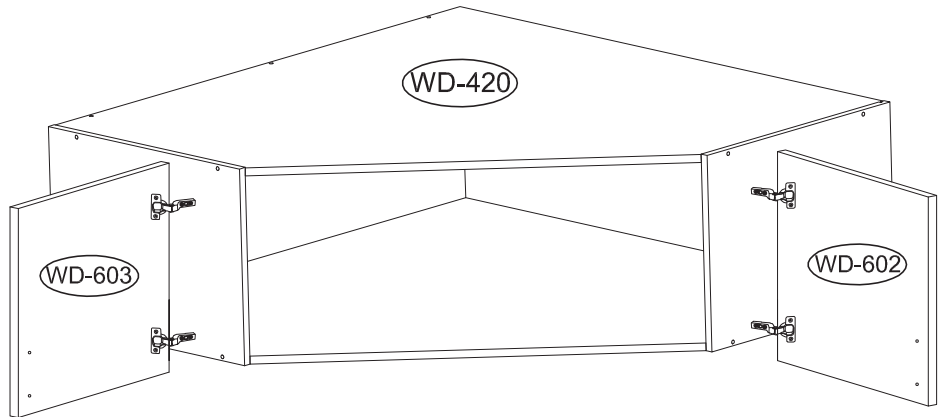
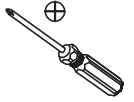
11.1



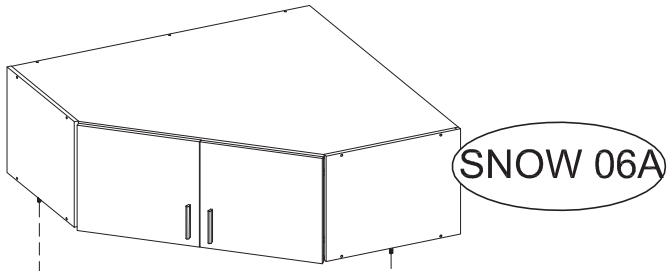
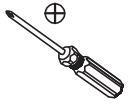
12



Ox10



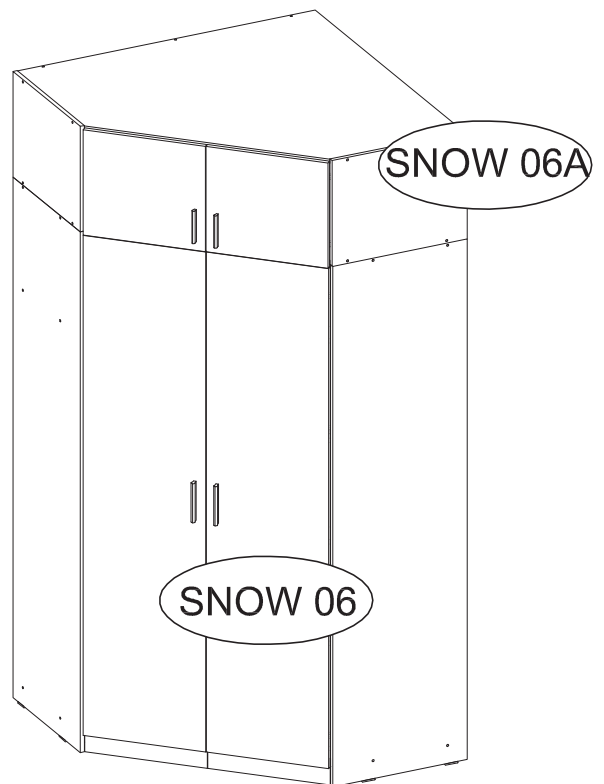
13



SNOW 06A



SNOW 06



SNOW 06A

SNOW 06