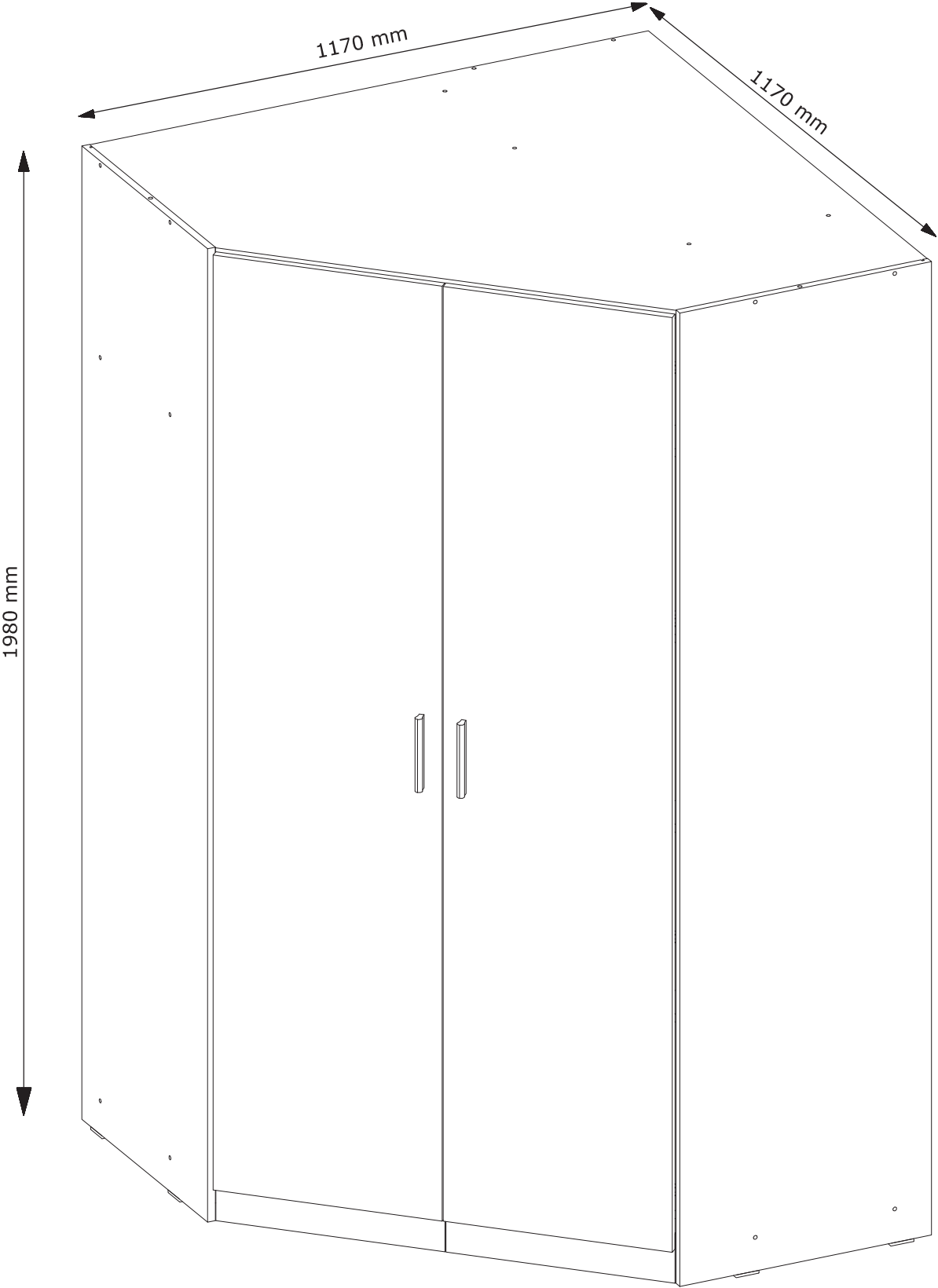
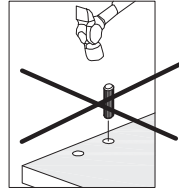
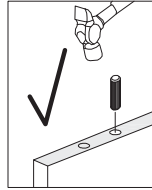
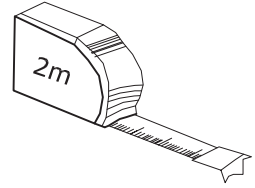
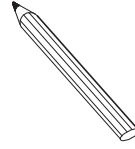
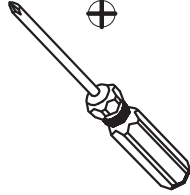
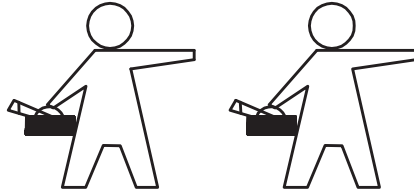
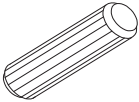
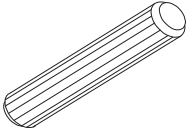


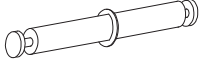


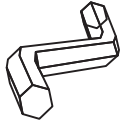
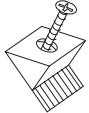
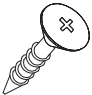

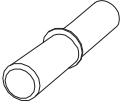
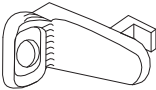



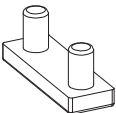

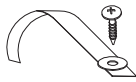
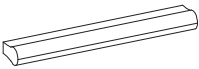
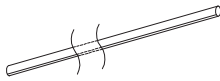
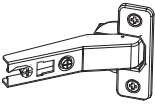
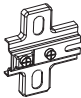


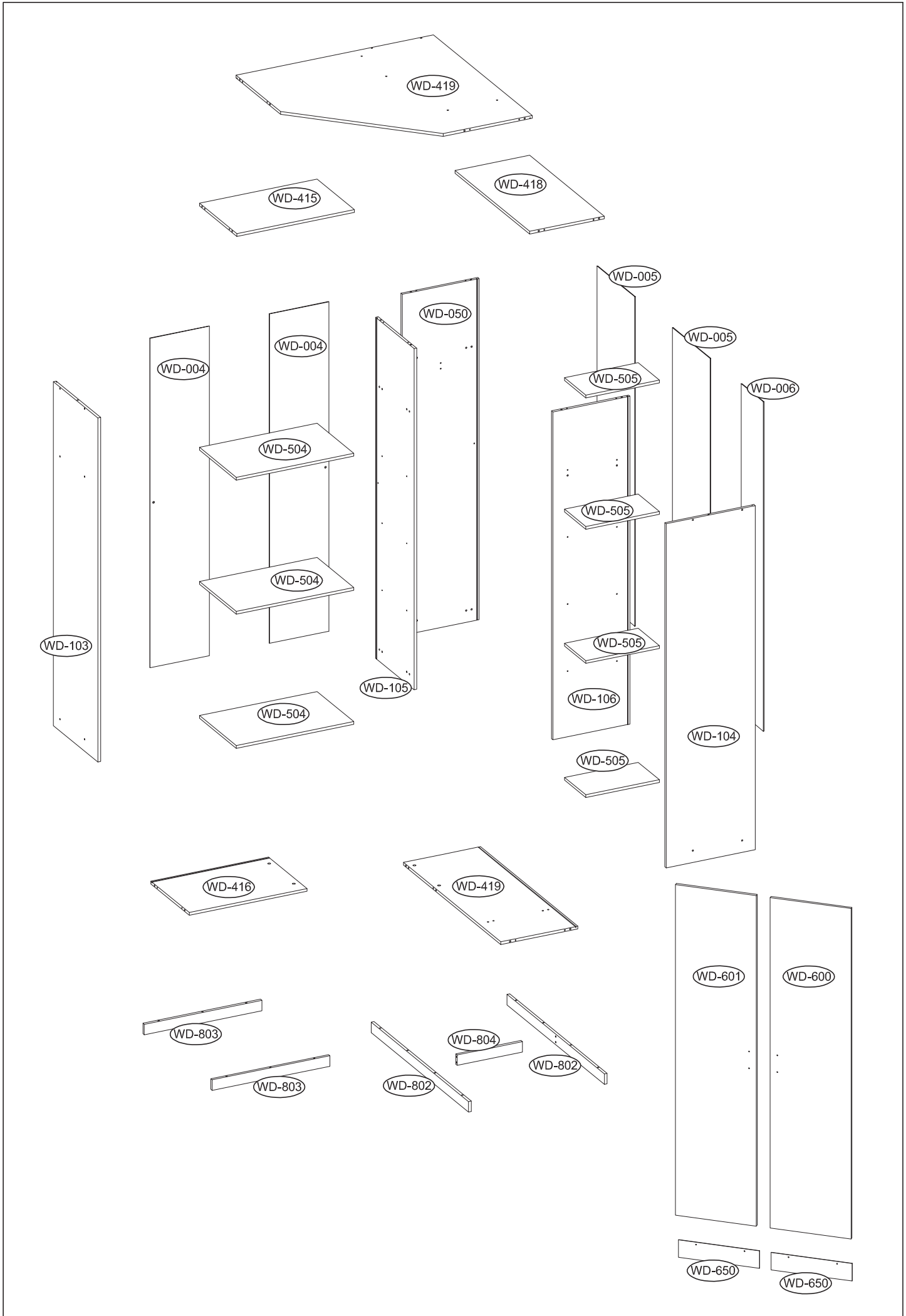
SNOW

06

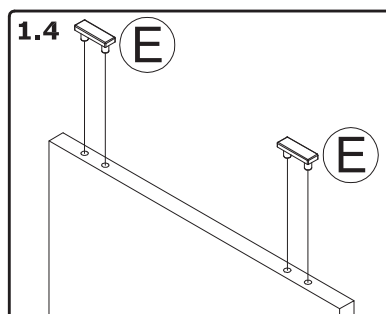
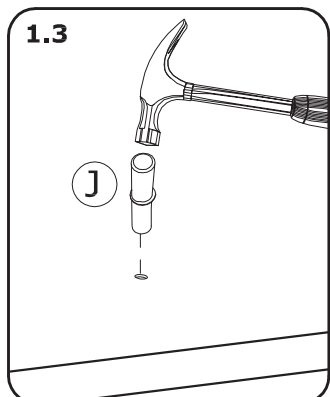
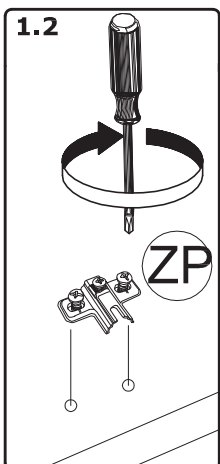
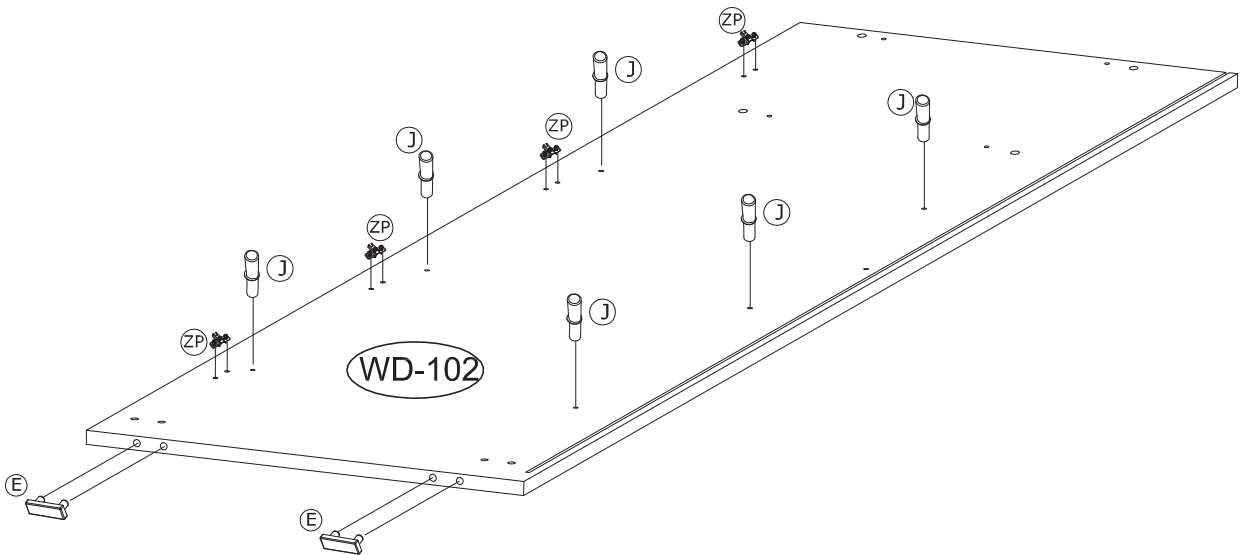
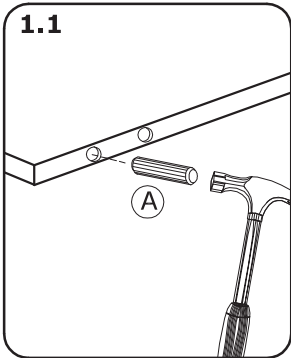
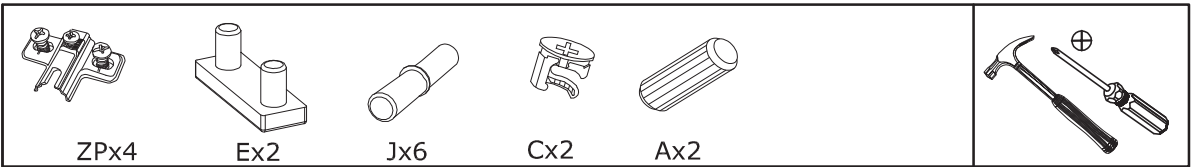




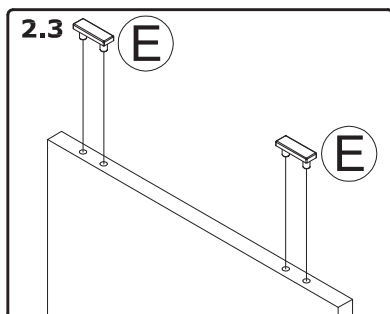
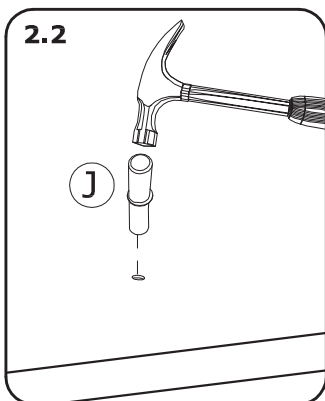
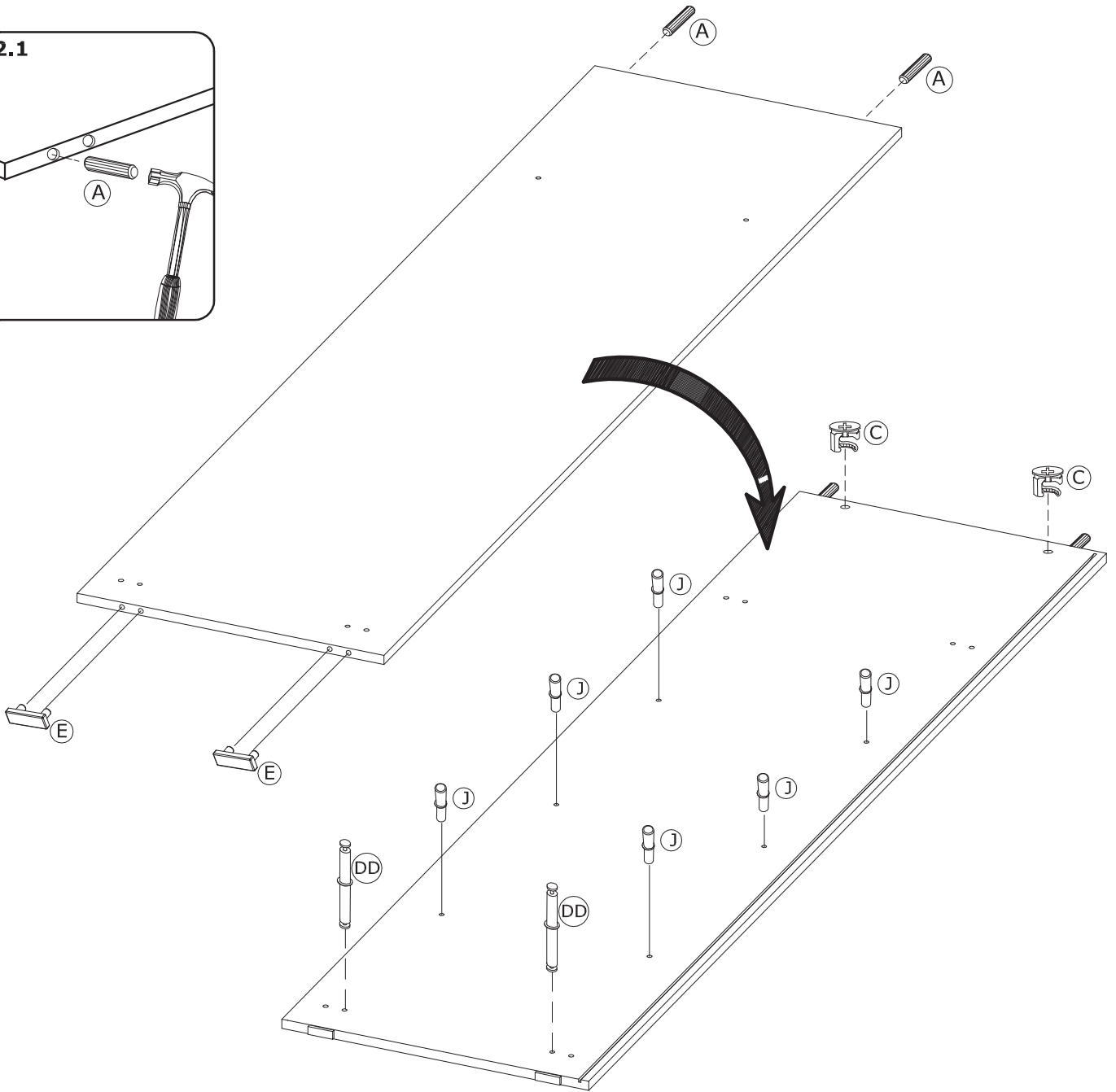
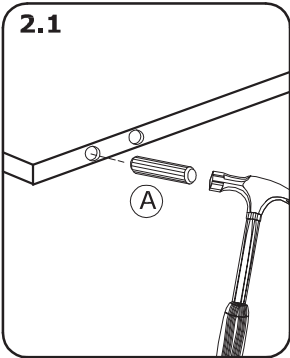
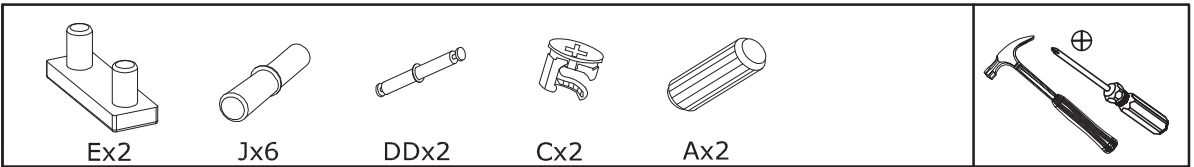
 Ø8x30mm Ax44	 Ø8x50mm A1x2	 Ø15x11mm Bx4	 C1-4
 DD-2	 Ø6,4x50mm T-26	 C-20	 4,0 mm V1-1
 Ox44	 Ø3.5x16mm Hx20	 Ø4,0x25mm Rx4	 5 mm Jx28
 Gx4	 Ø6.3x11mm EUx4	 Px2	 Ø3.0x13mm Sx2
 Ex15	 KLx2	 Wx2	 Lx2
 L=864 mm DRx1	 ZTx8	 ZPx8	



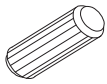
1



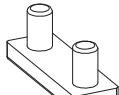
2



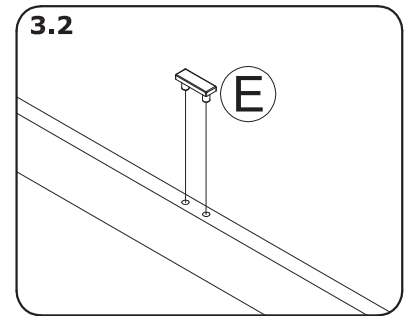
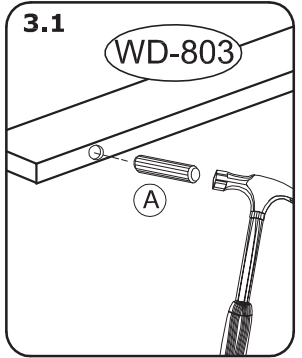
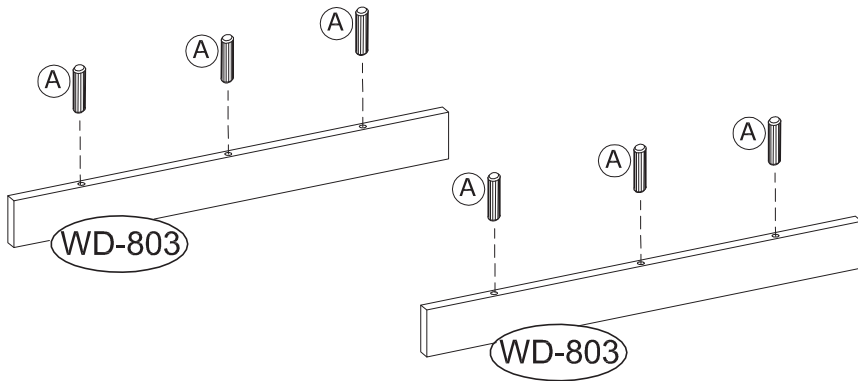
3



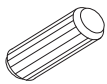
Ax6



Ex2



4



Ax2



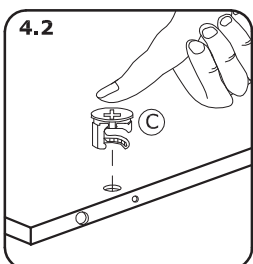
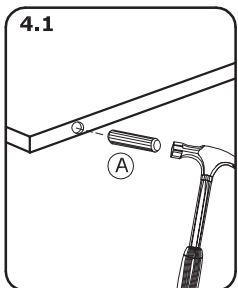
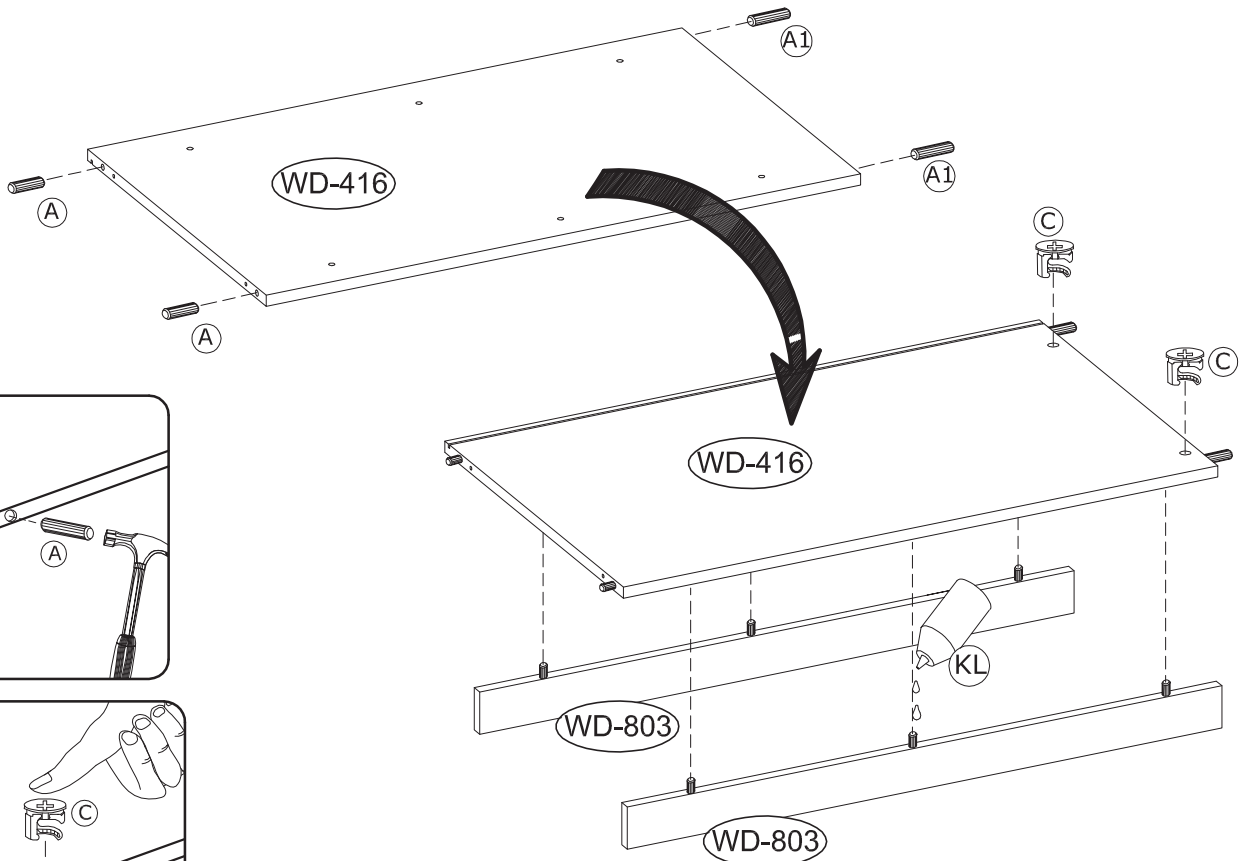
Cx2



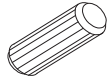
A1x2



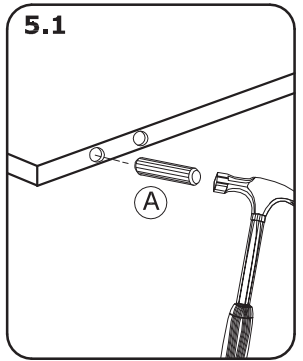
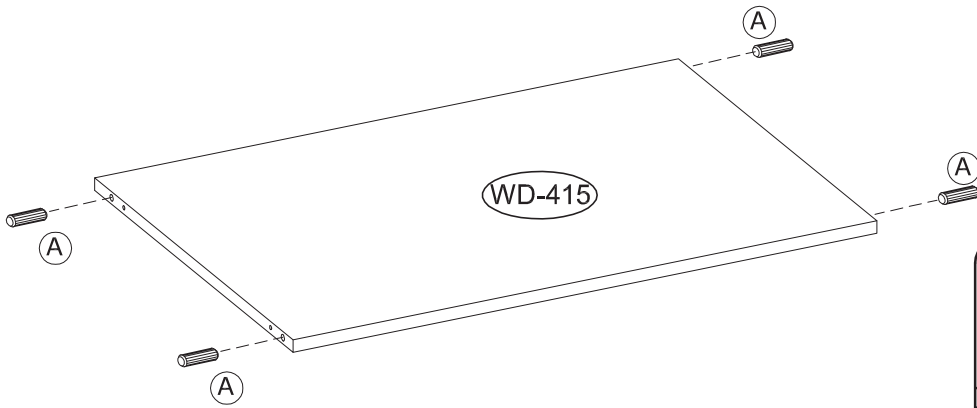
KL



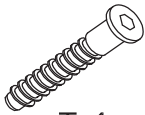
5



Ax4



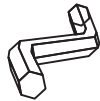
6



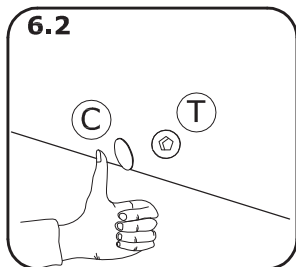
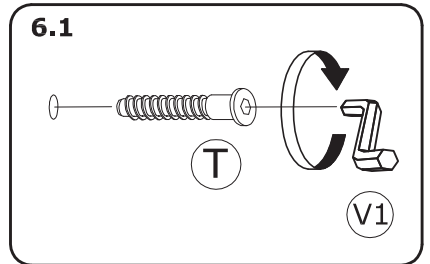
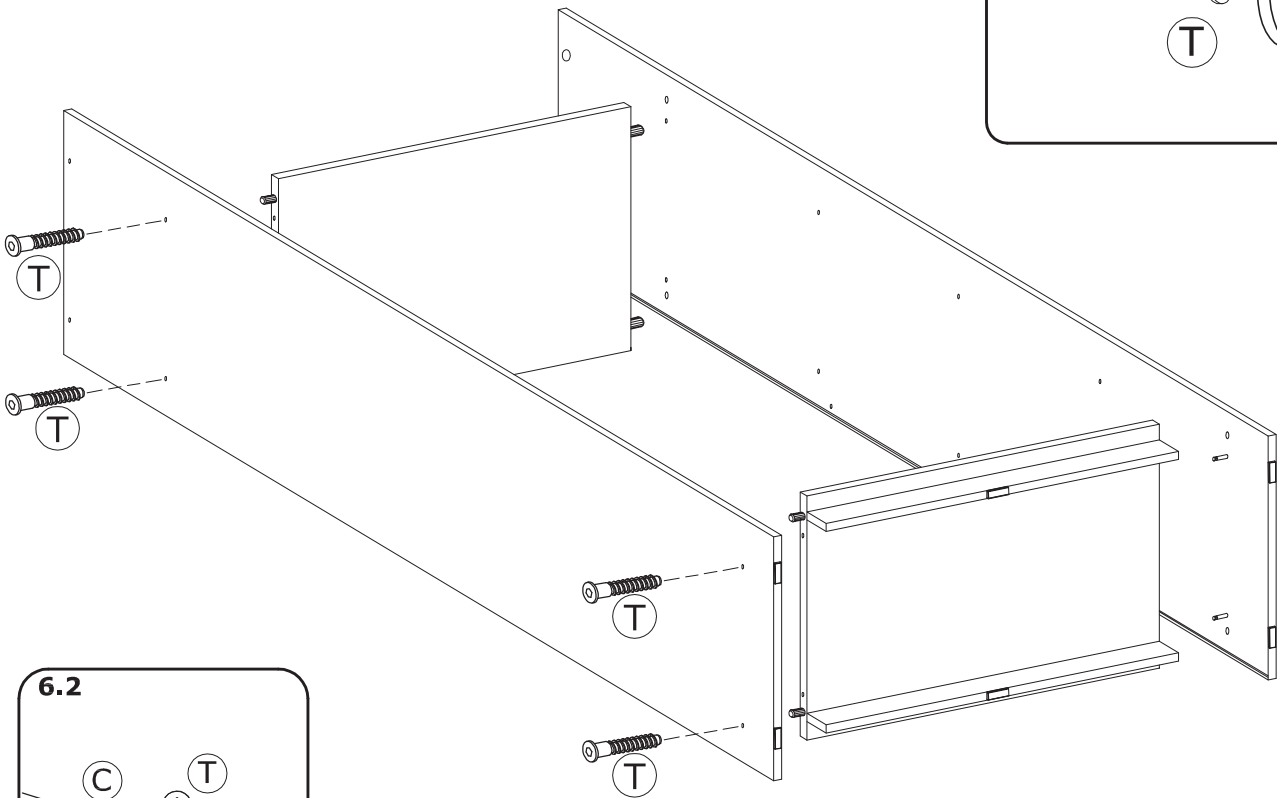
T-4



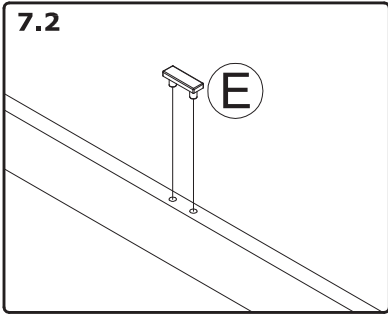
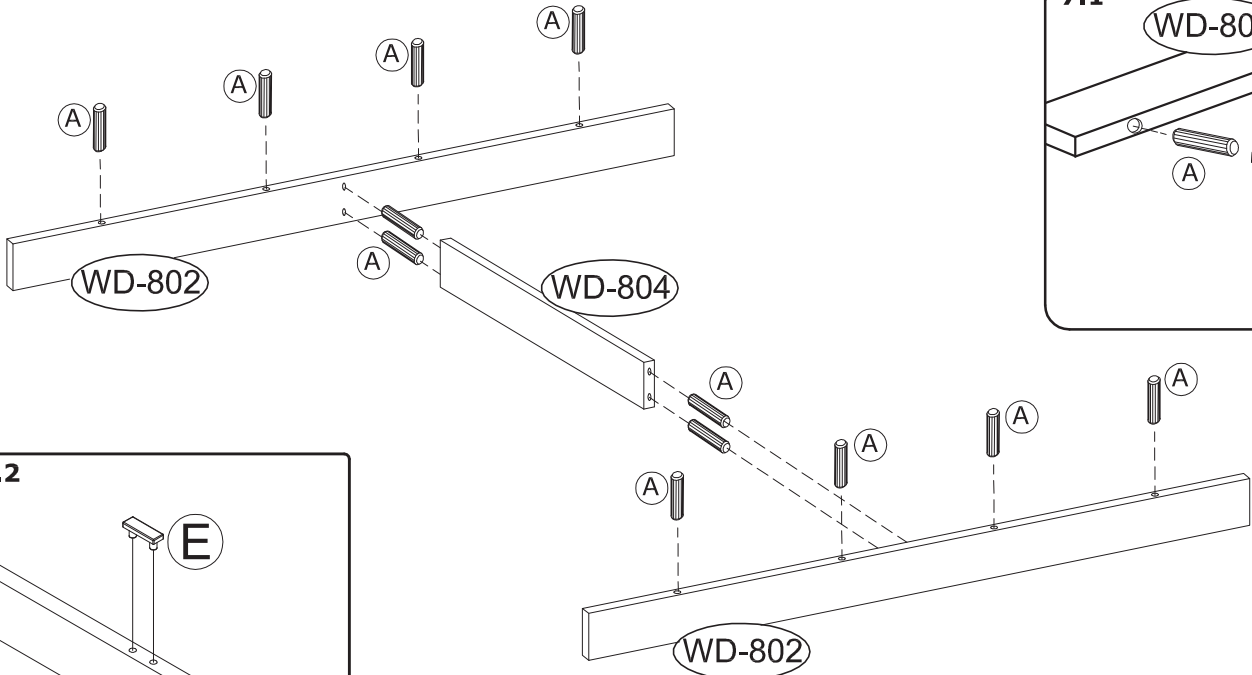
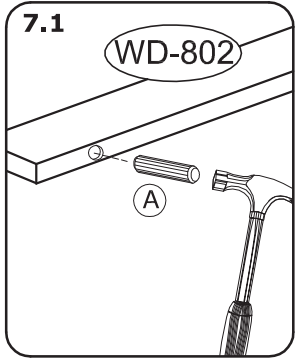
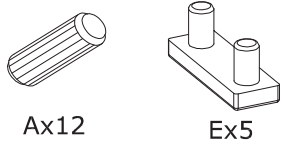
C-4



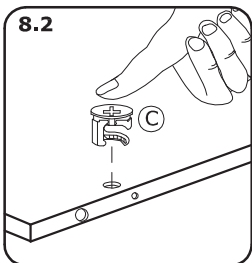
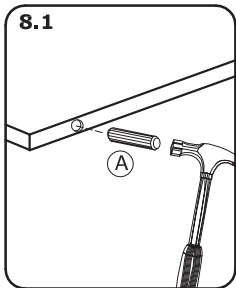
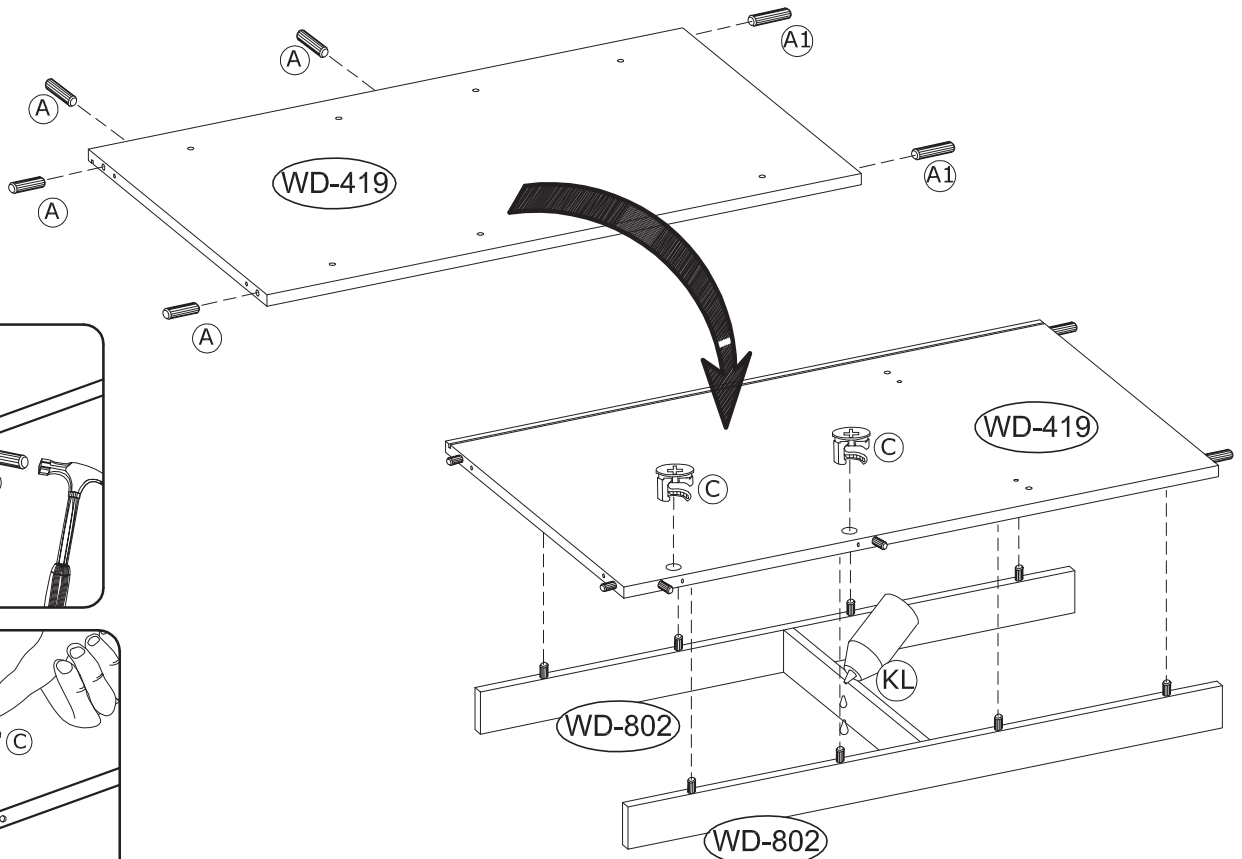
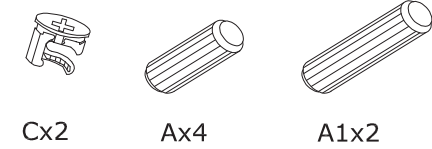
V1-1



7

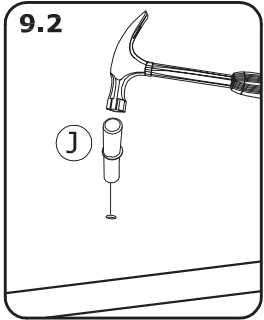
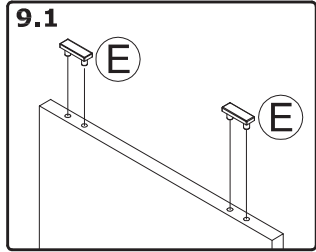
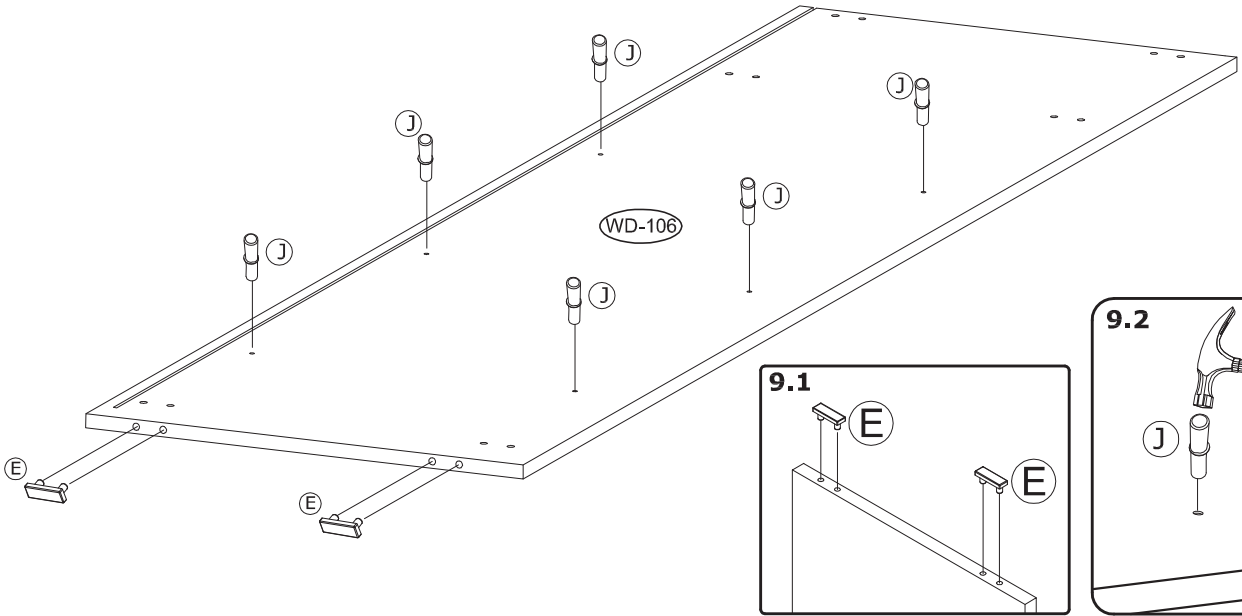


8

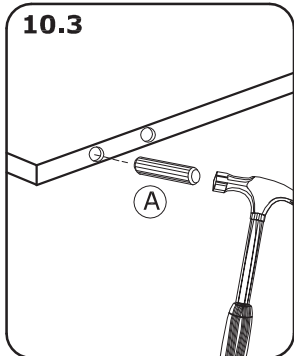
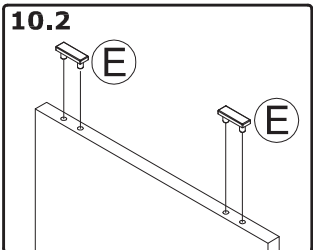
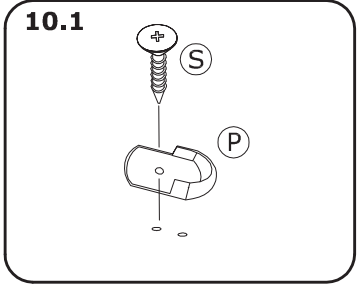
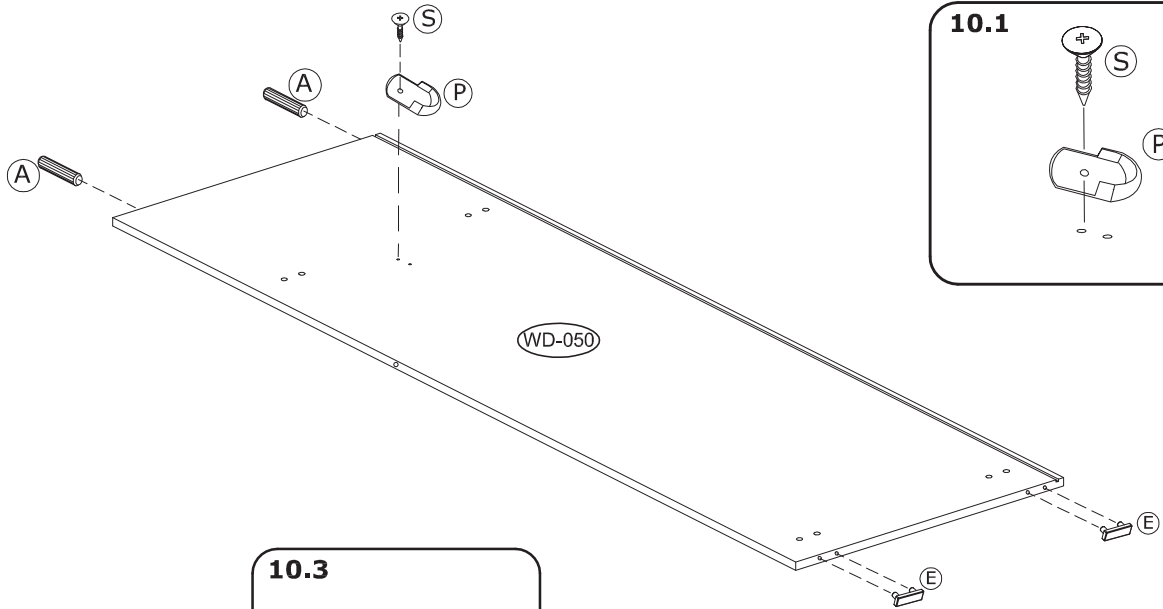
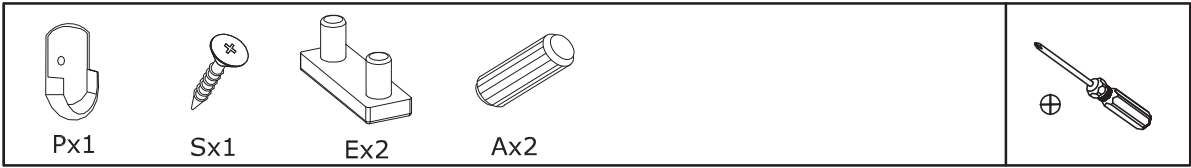




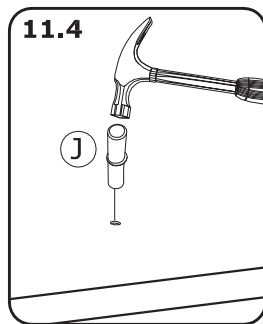
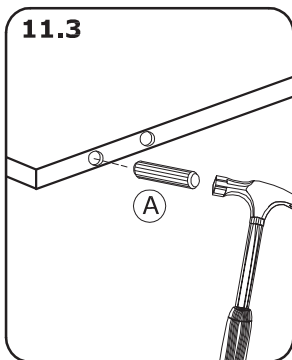
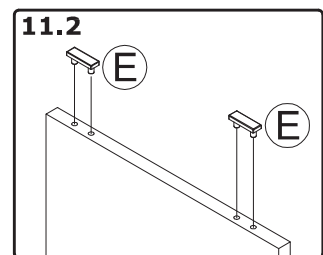
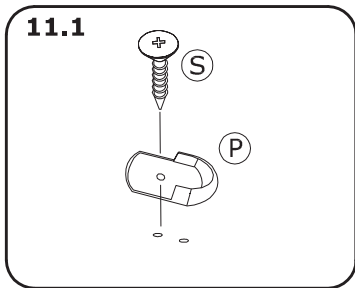
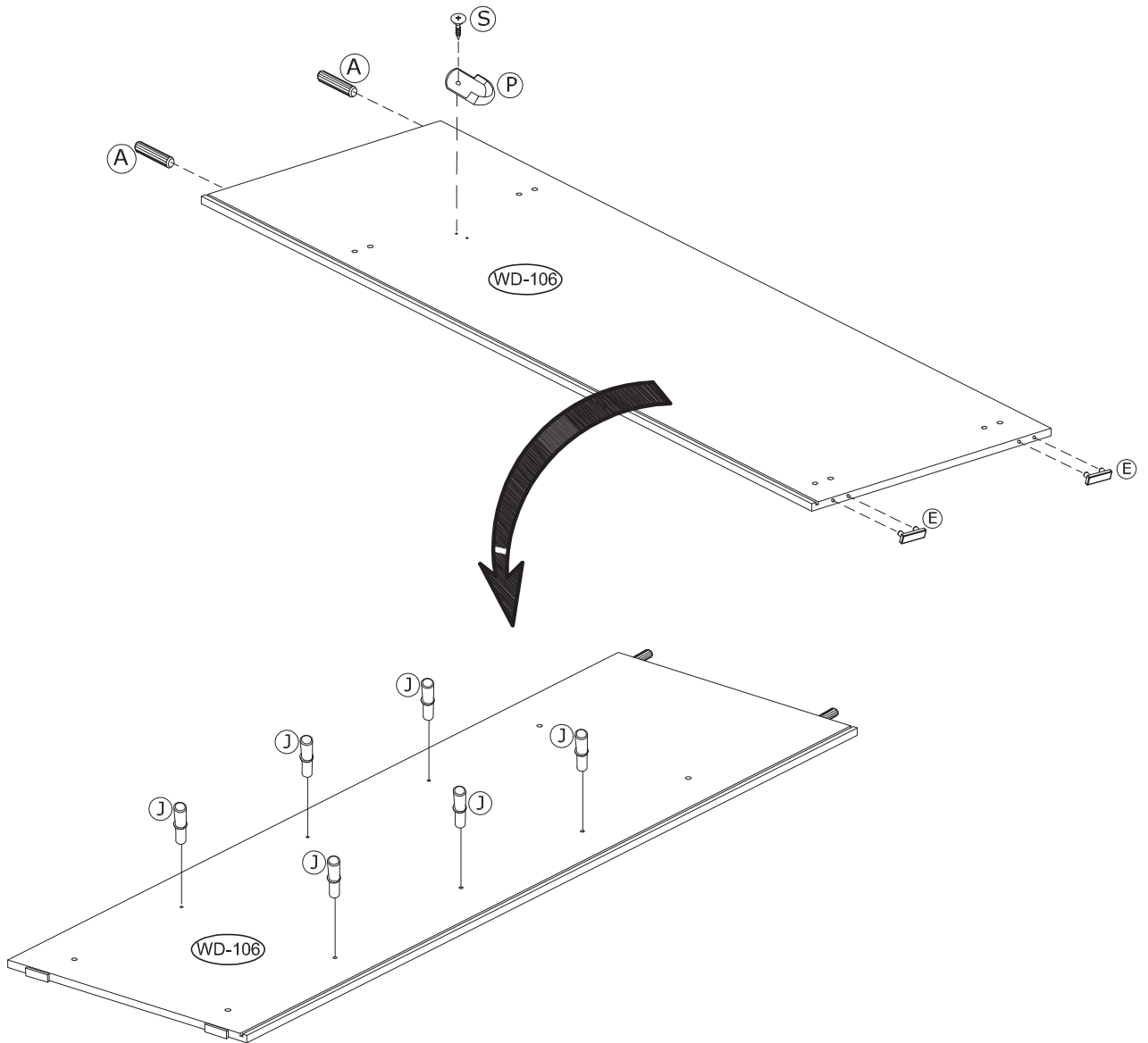
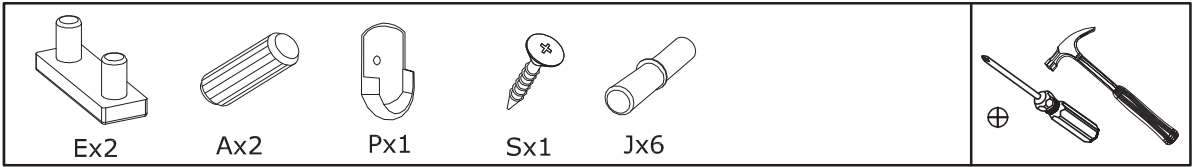
9



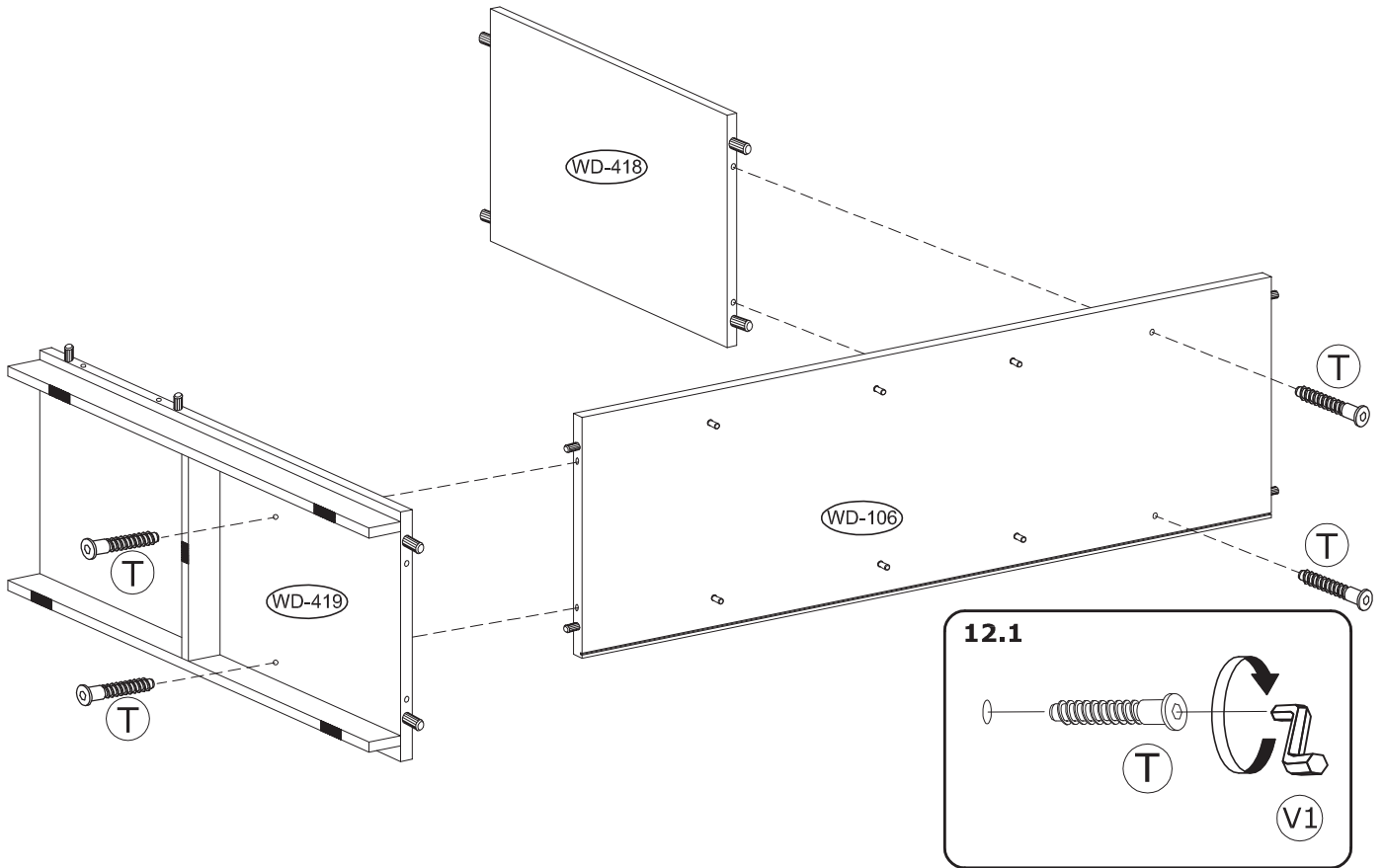
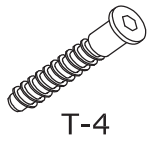
10



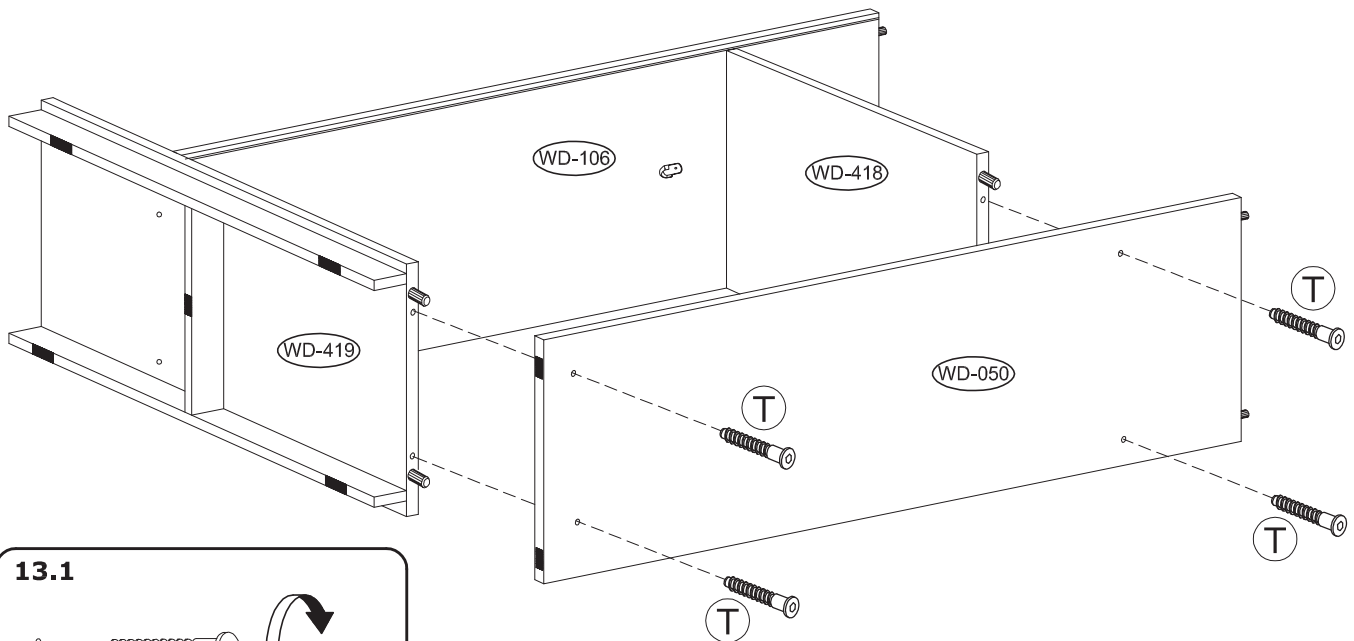
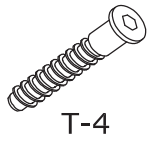
11



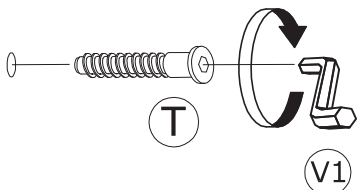
12



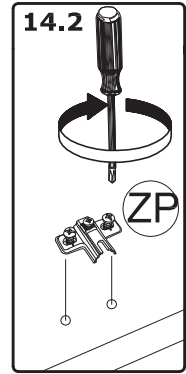
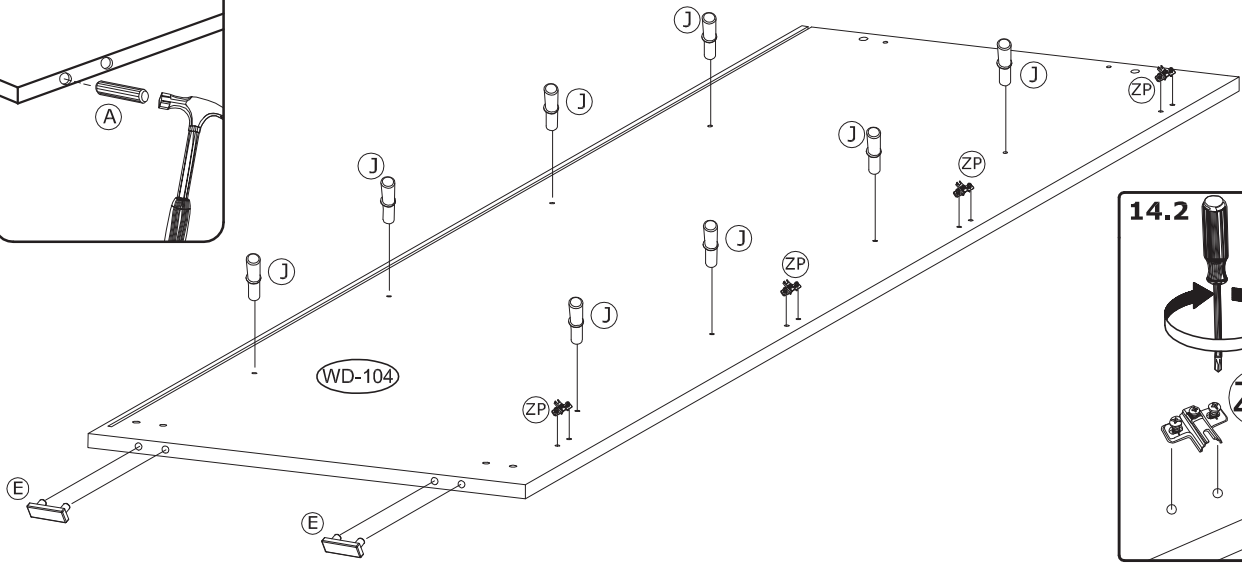
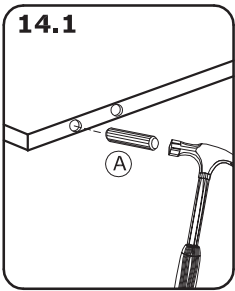
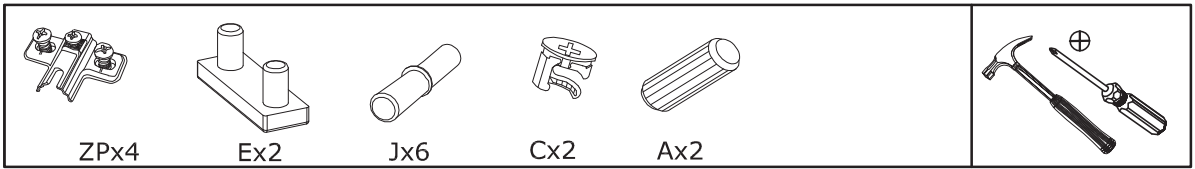
13



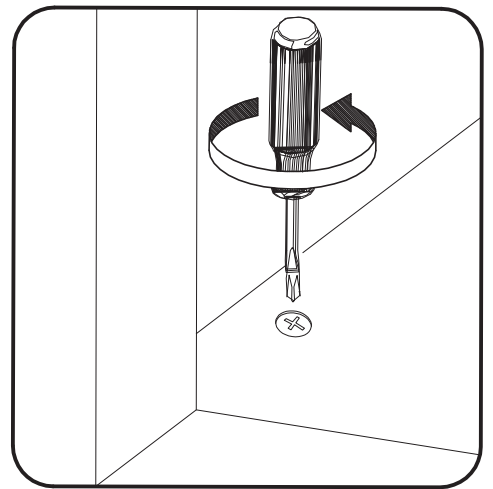
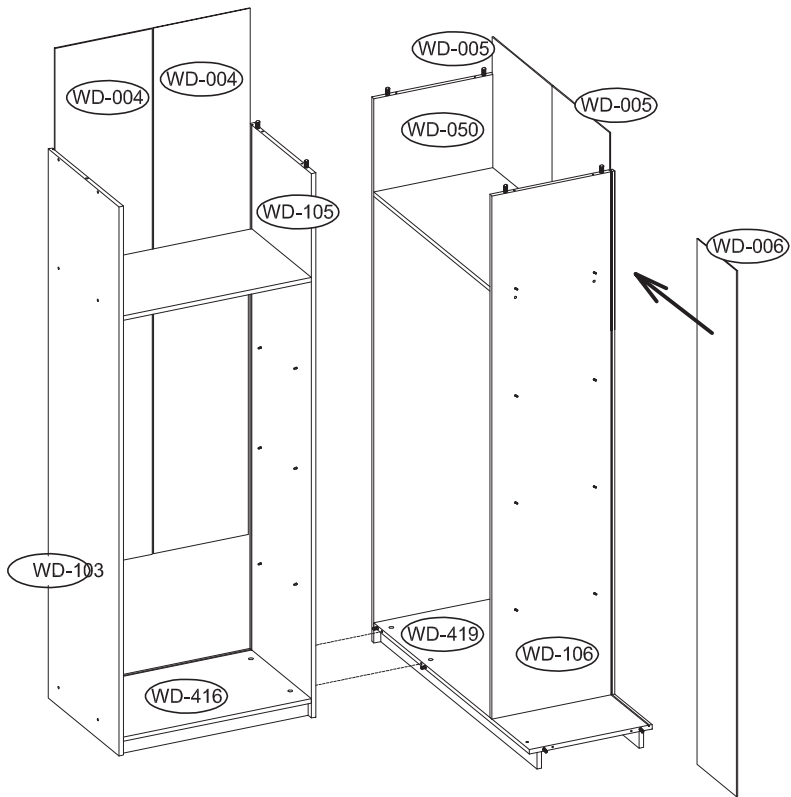
13.1



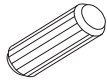
14



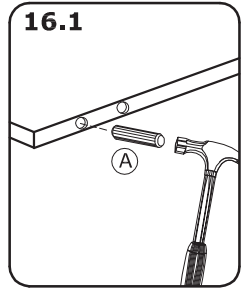
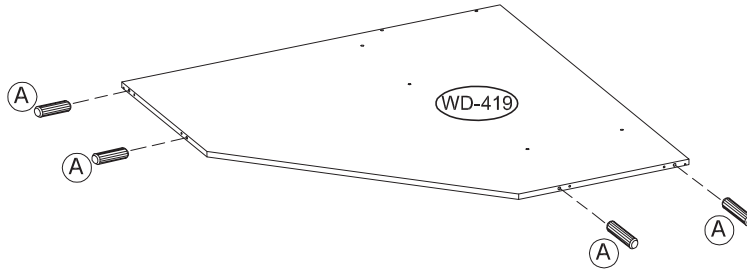
15



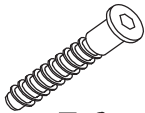
16



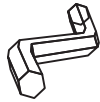
Ax4



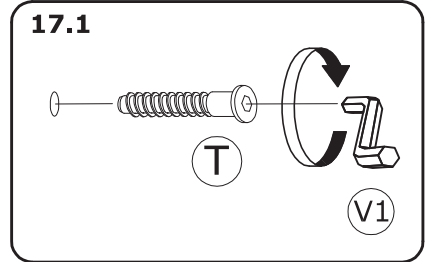
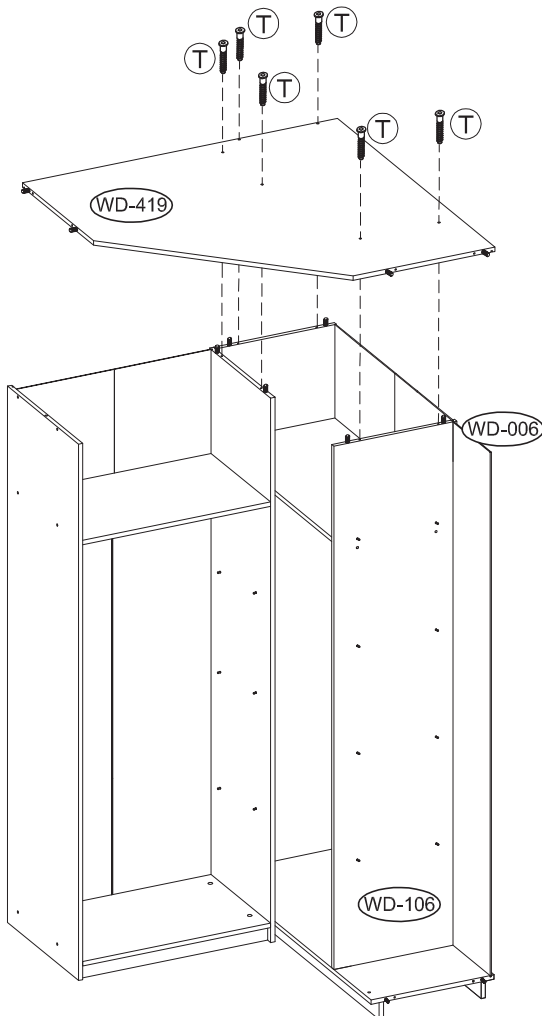
17



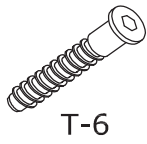
T-6



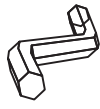
V1-1



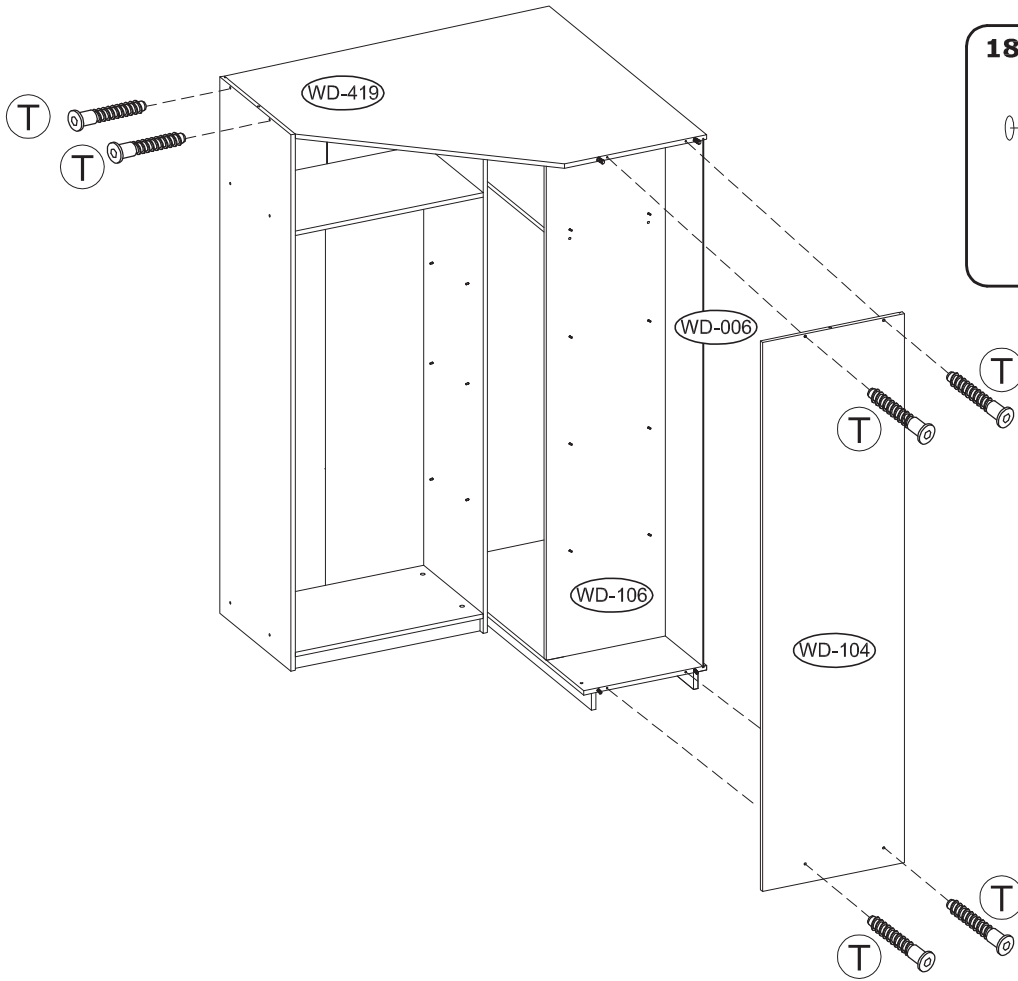
18



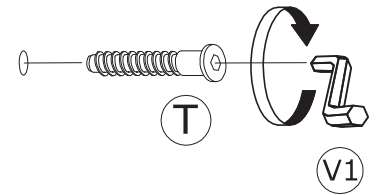
T-6



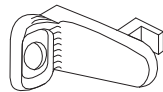
V1-1



18.1



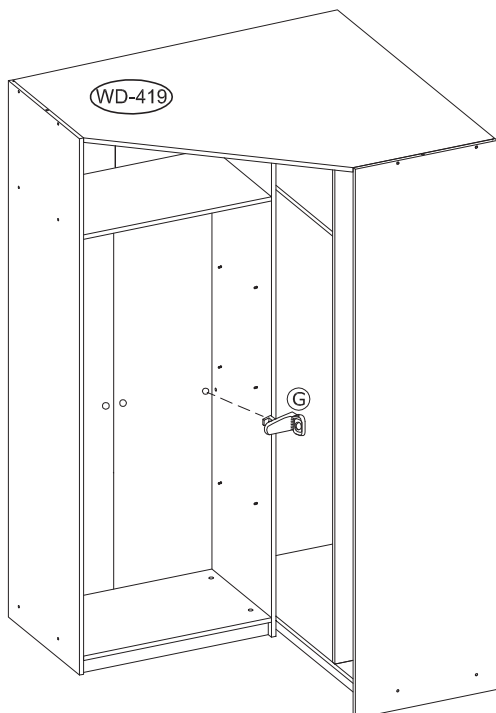
19



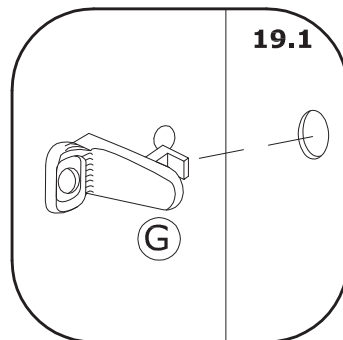
Gx4



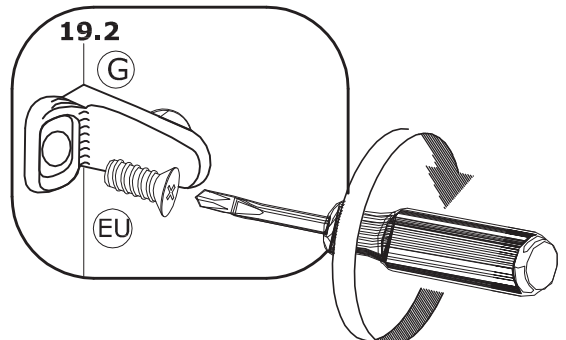
EUx4



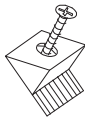
19.1



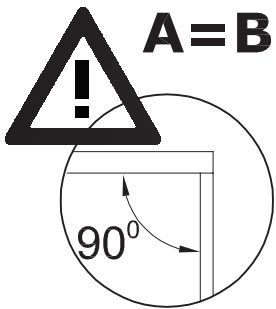
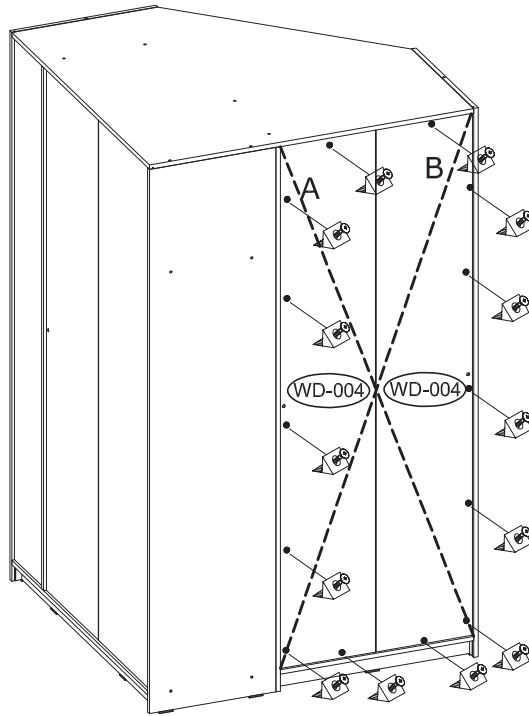
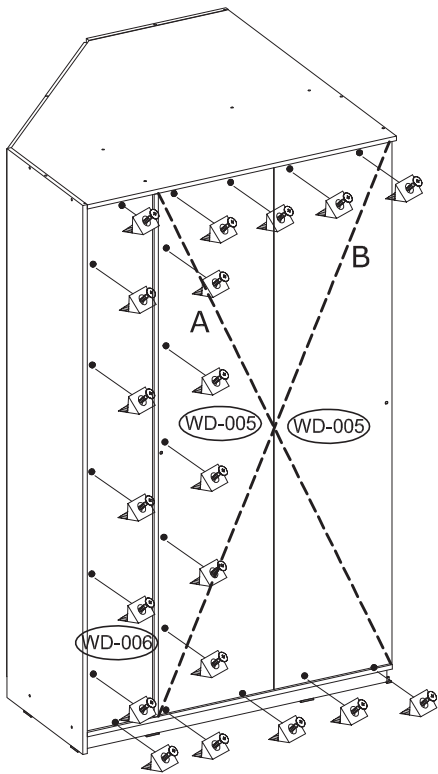
19.2



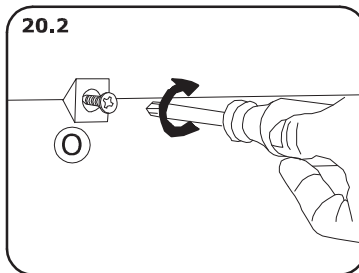
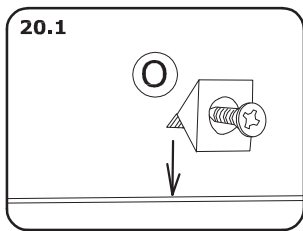
20



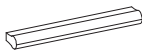
Ox44



A=B



21



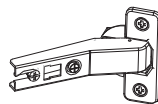
Lx2



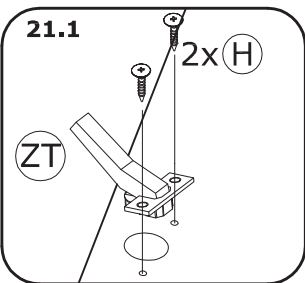
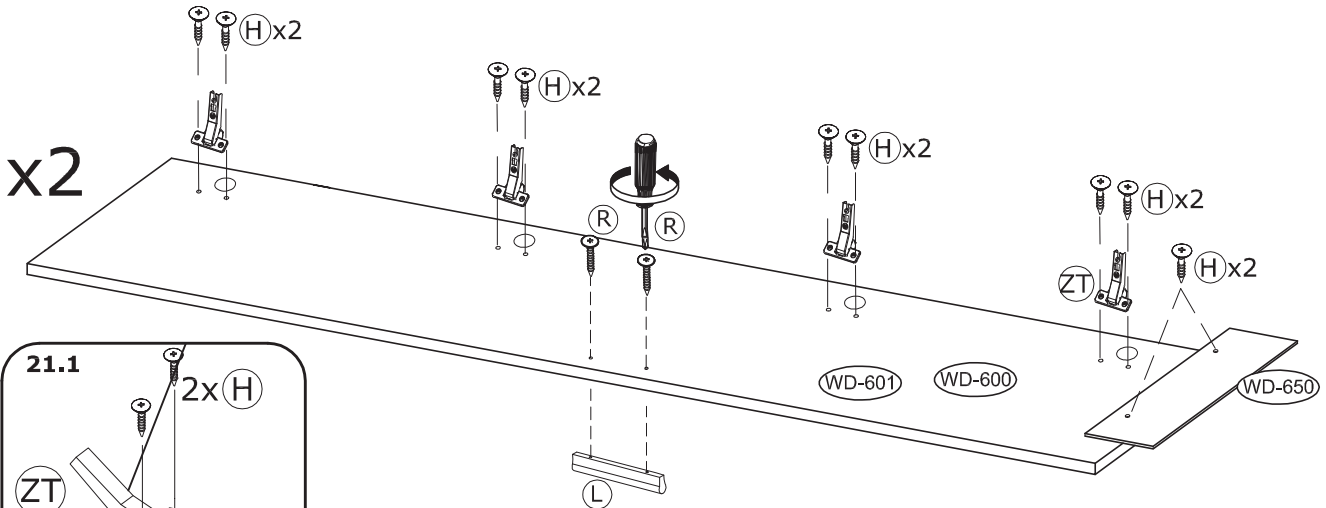
Rx4



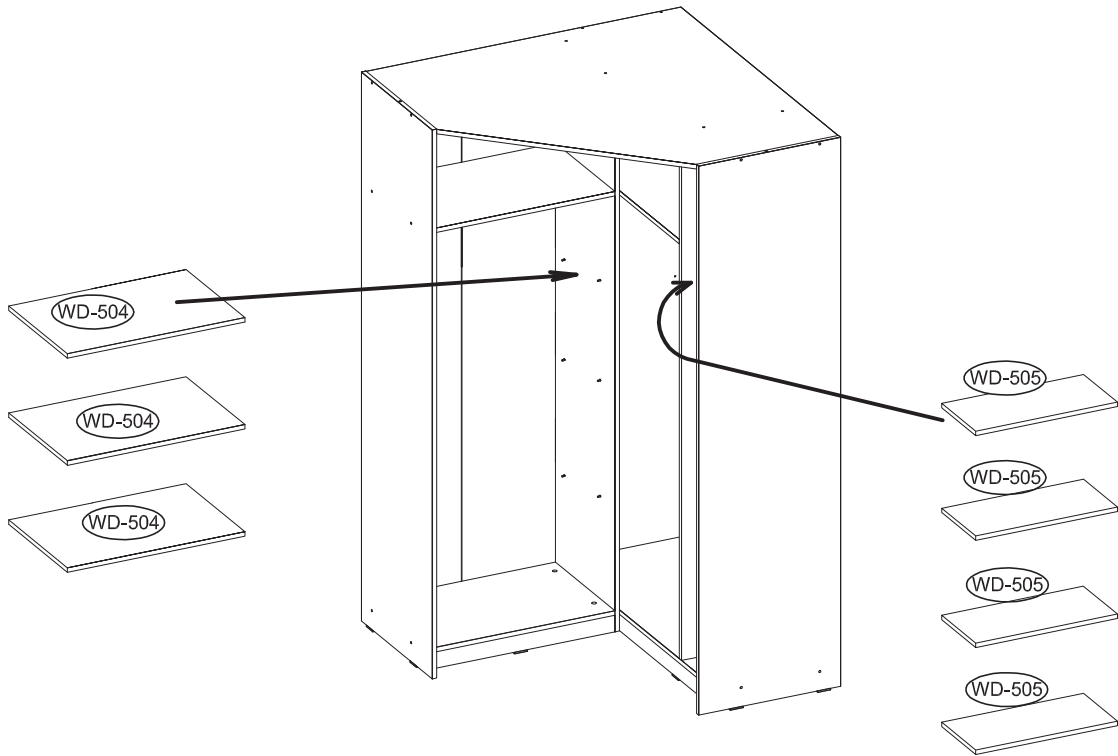
Hx20



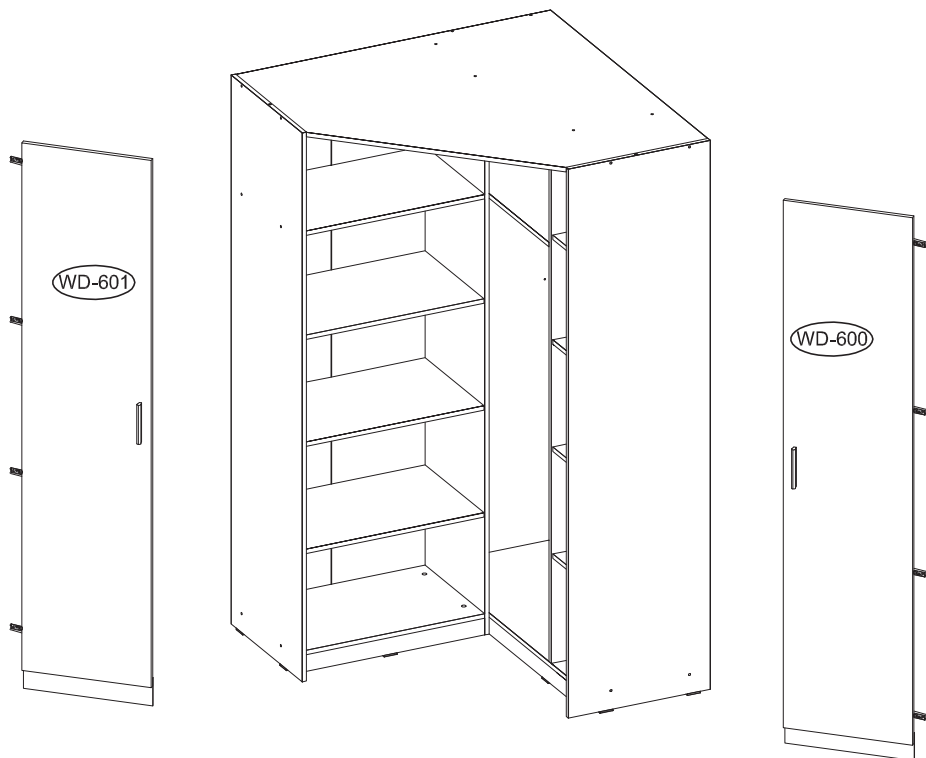
ZTx8



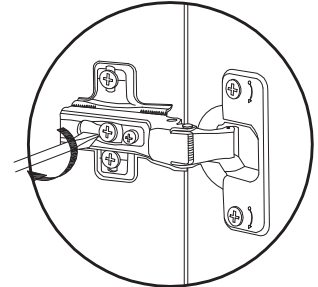
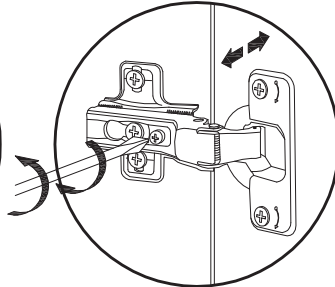
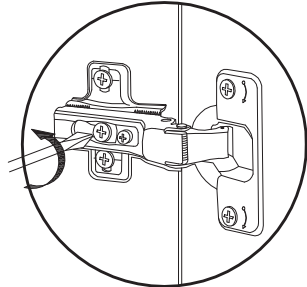
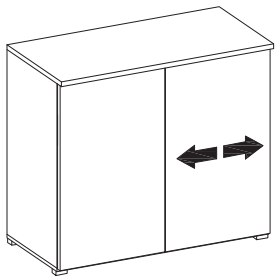
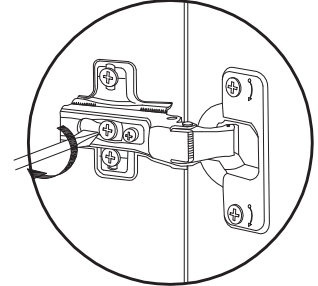
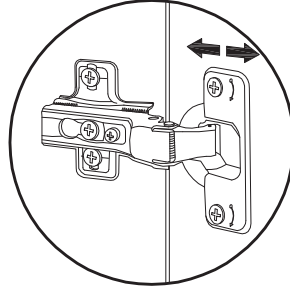
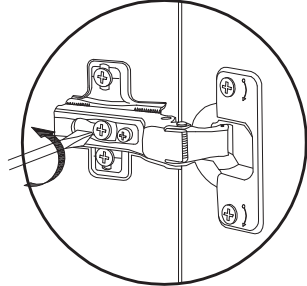
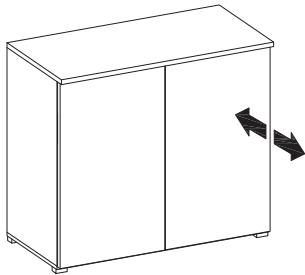
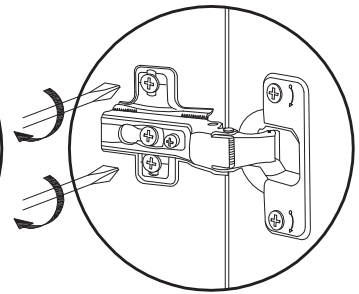
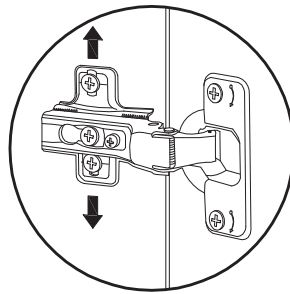
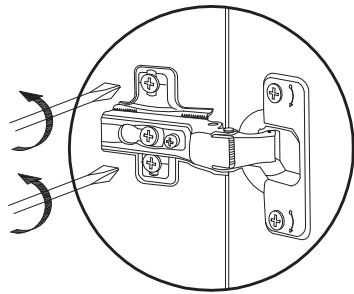
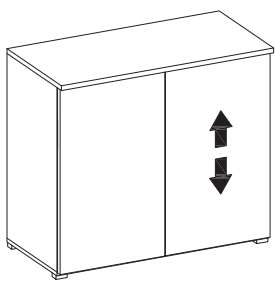
22



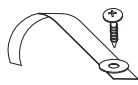
23







24



Wx2

