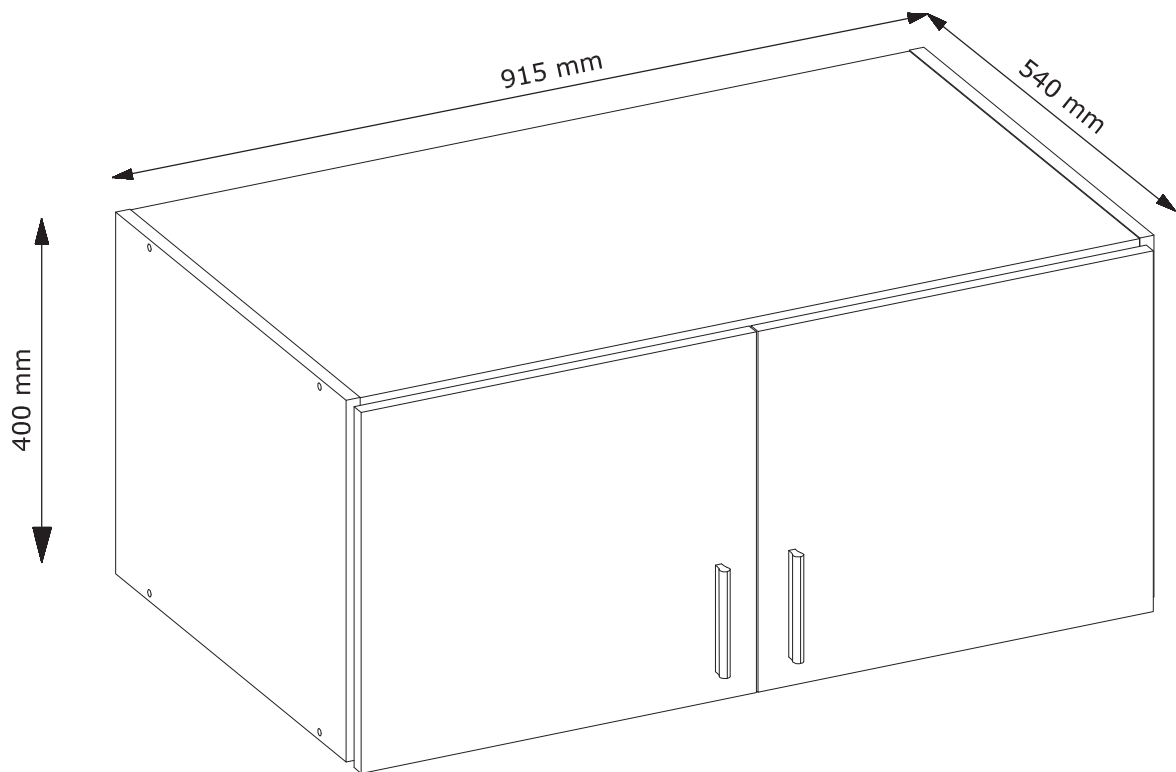
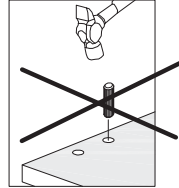
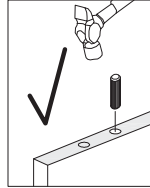
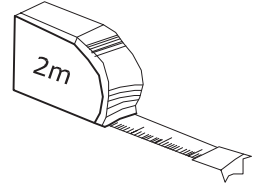
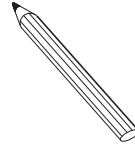
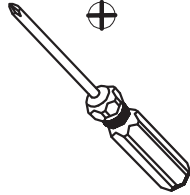
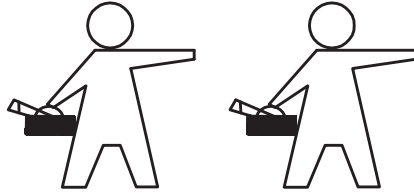
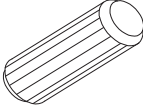
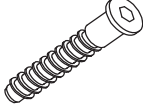
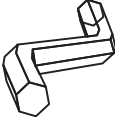

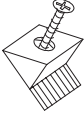



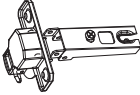
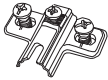


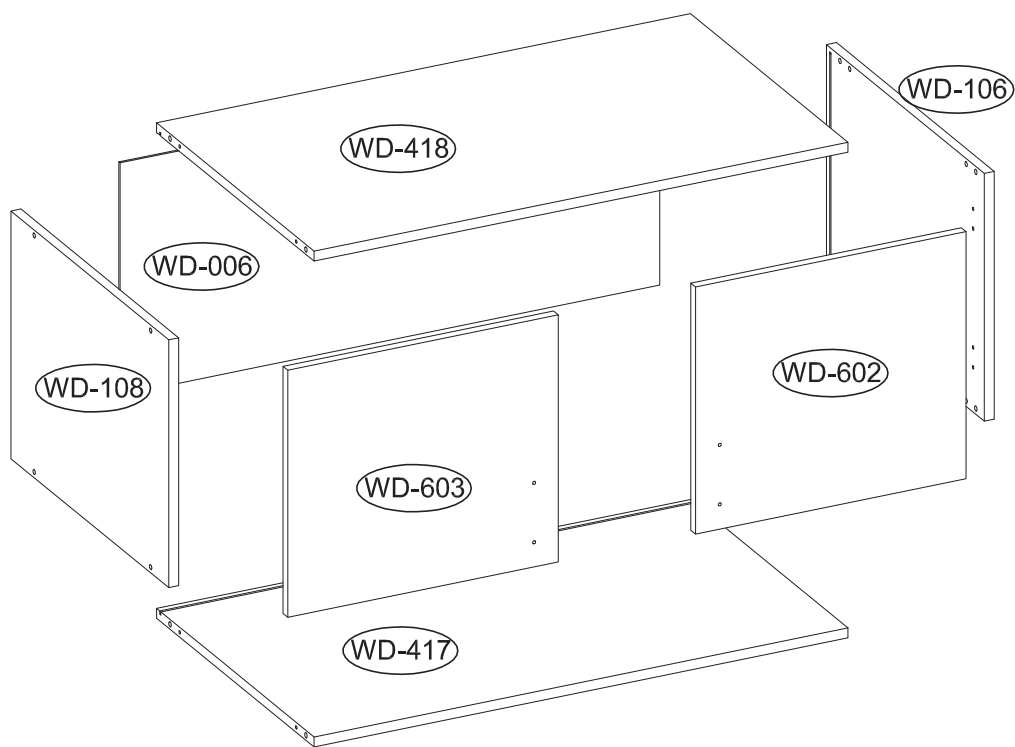
SNOW

02A/03A

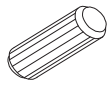




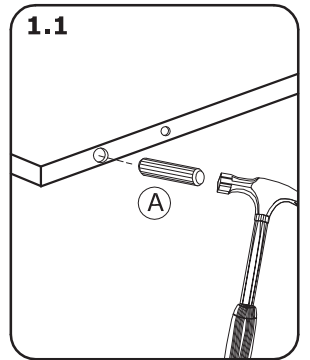
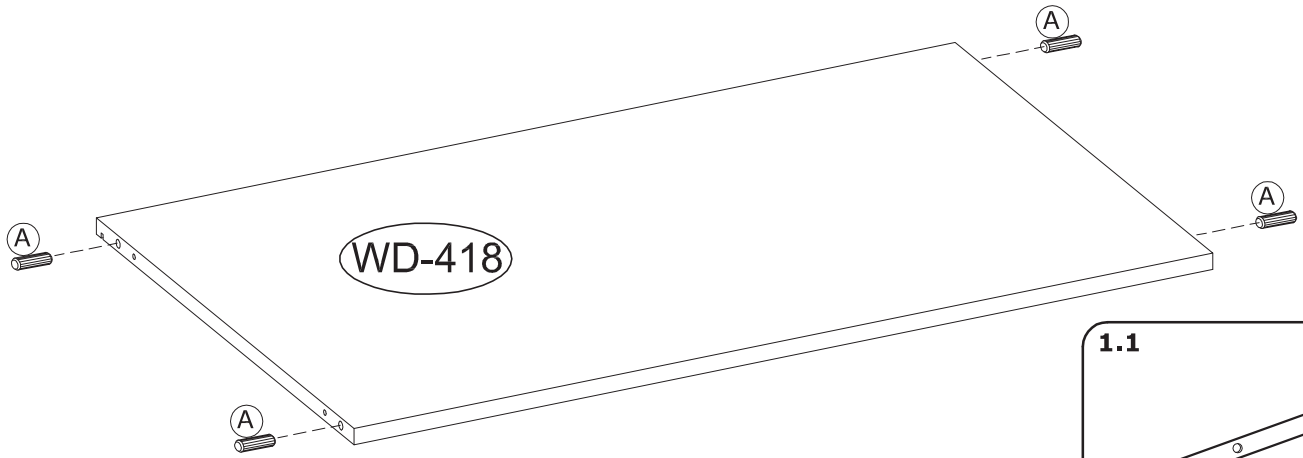
 Ø8x30mm Ax10	 Ø6,4x50mm T-8	 4,0 mm V1-1	 C-8
 Ox12	 Ø3.5x16mm Hx8	 Ø4,0x25mm Rx4	 Lx2
 Z1x4	 Z2x4		



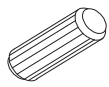
1



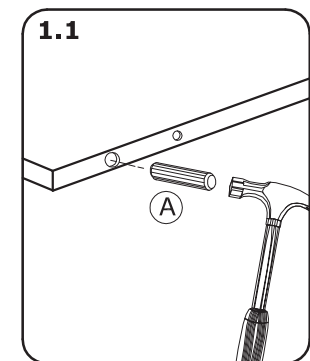
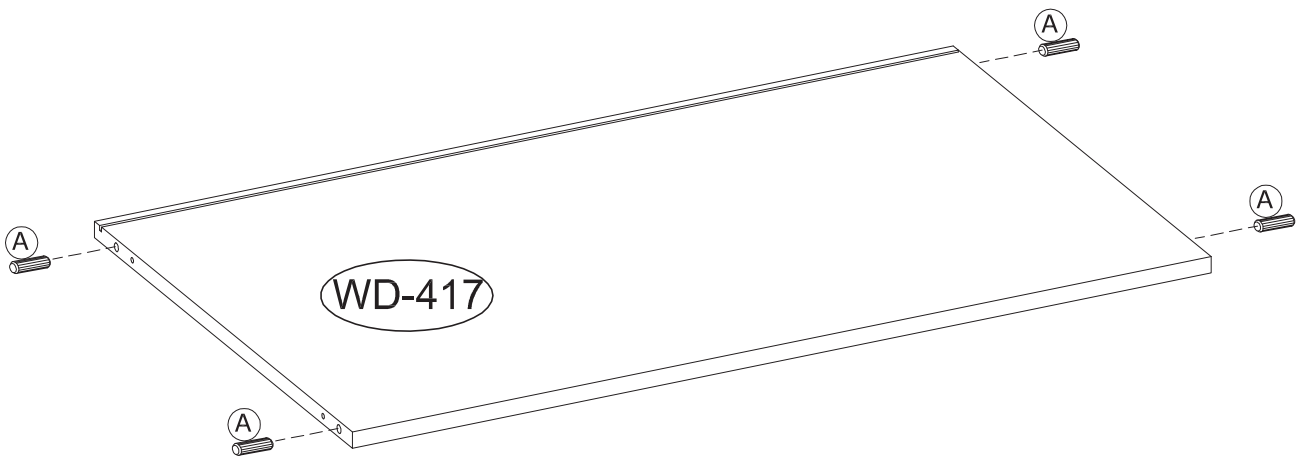
Ax4



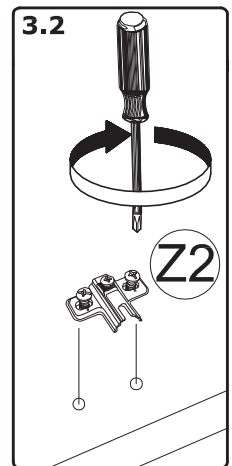
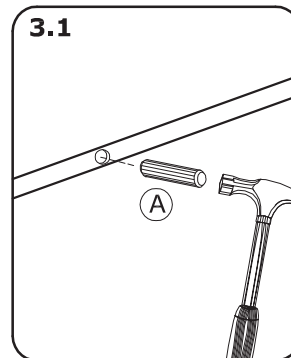
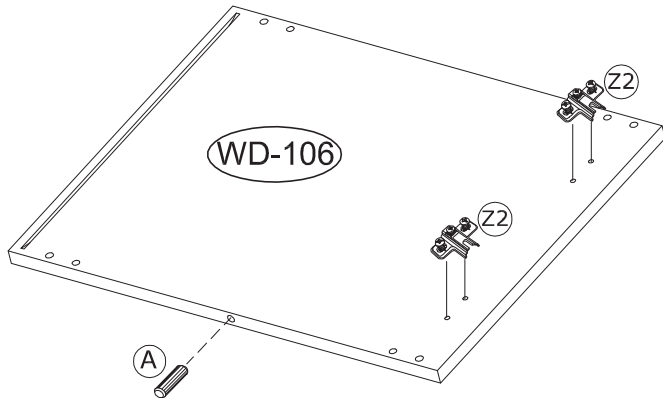
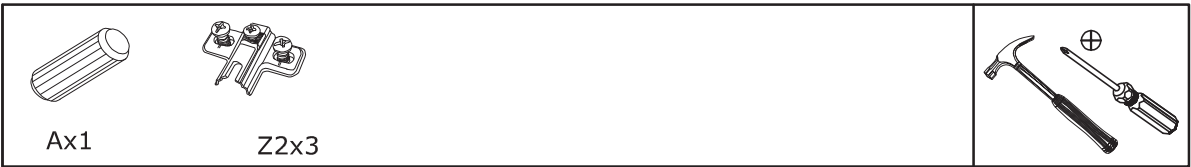
2



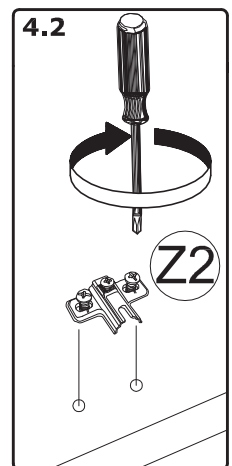
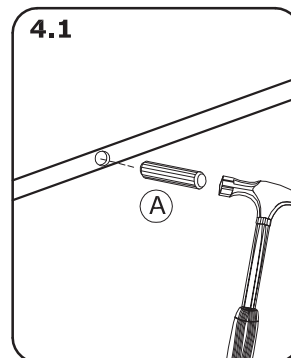
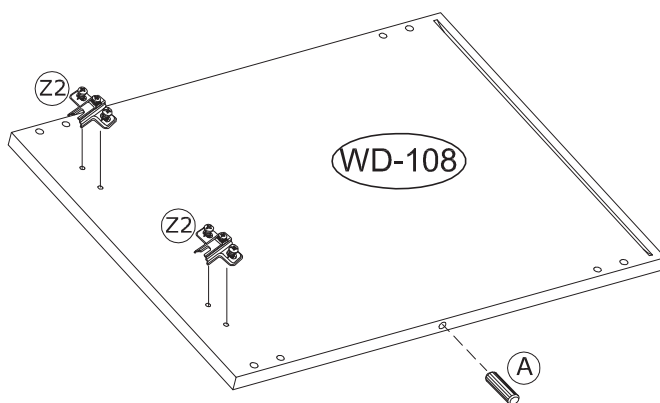
Ax4



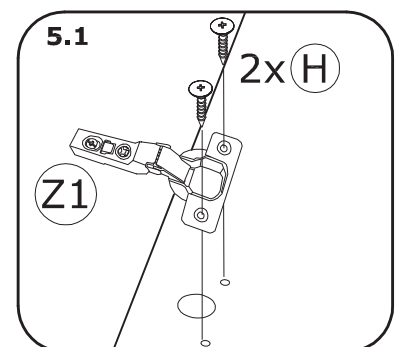
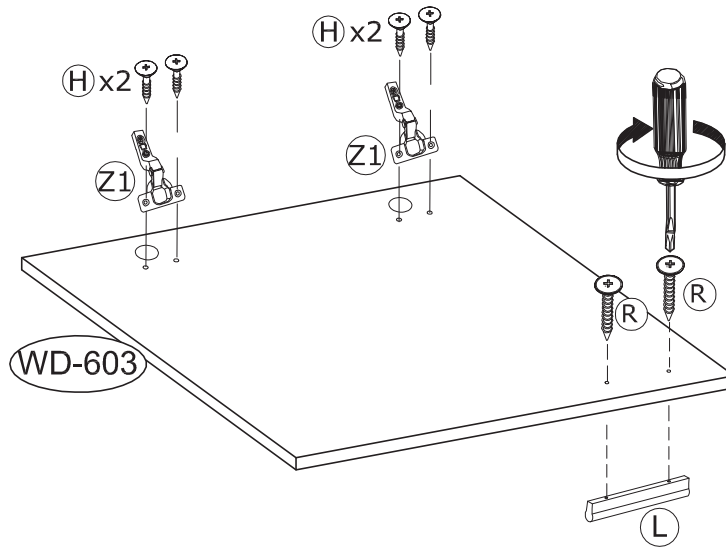
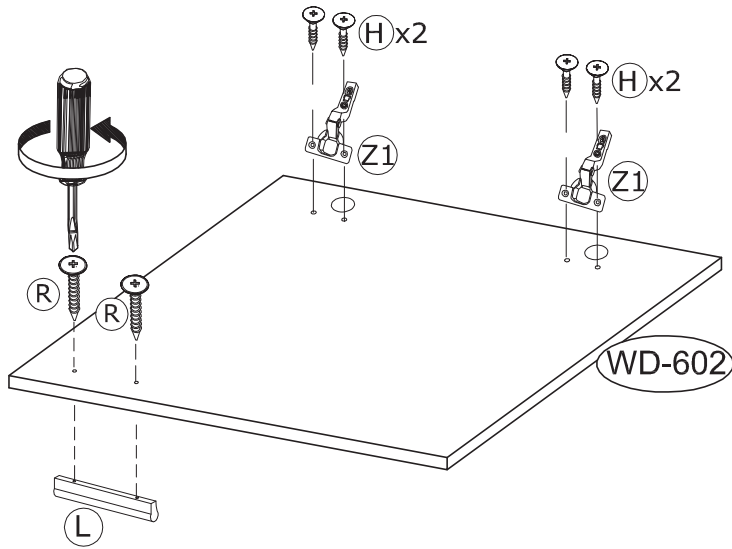
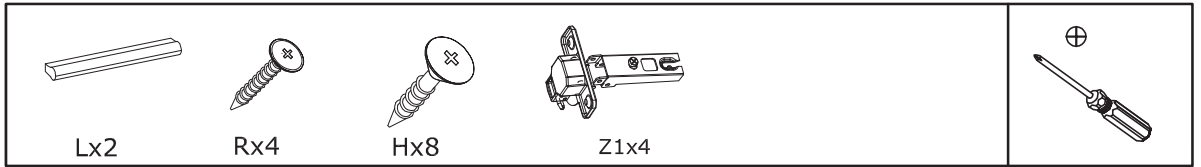
3



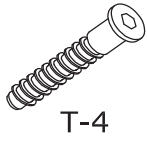
4



5



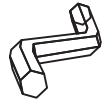
6



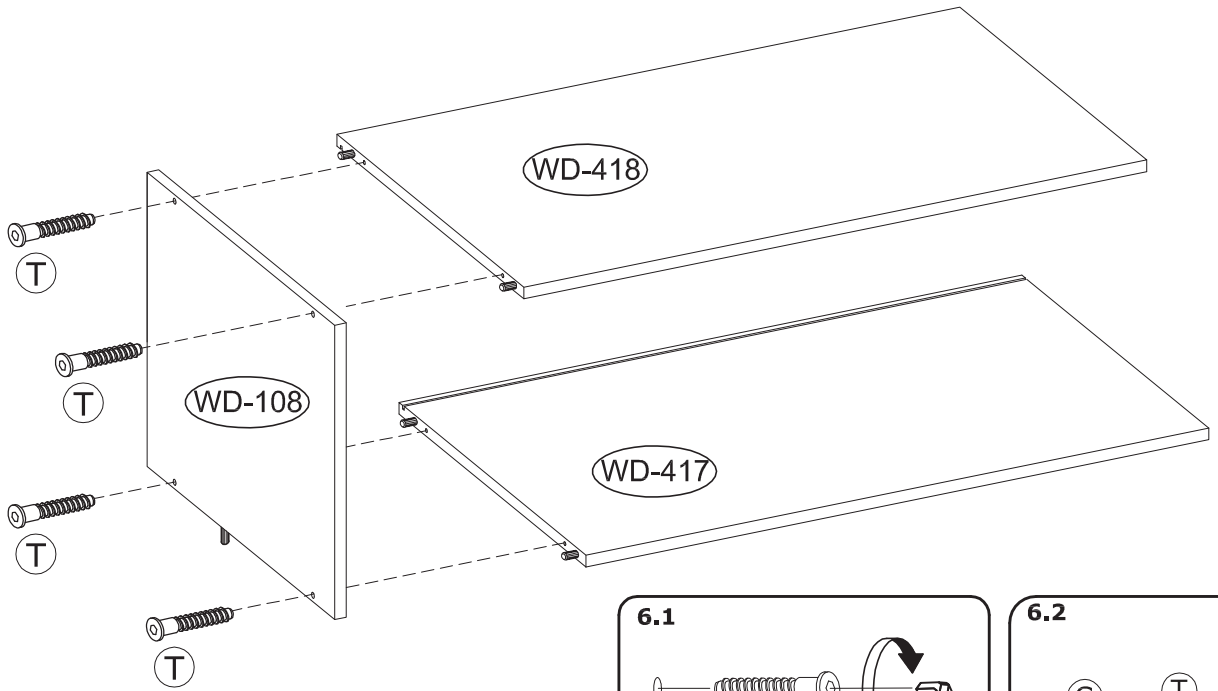
T-4



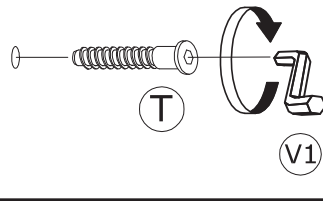
C-4



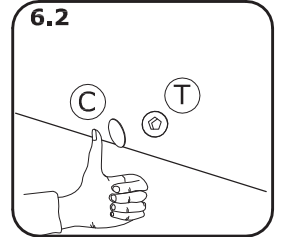
V1-1



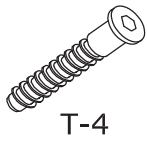
6.1



6.2



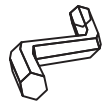
7



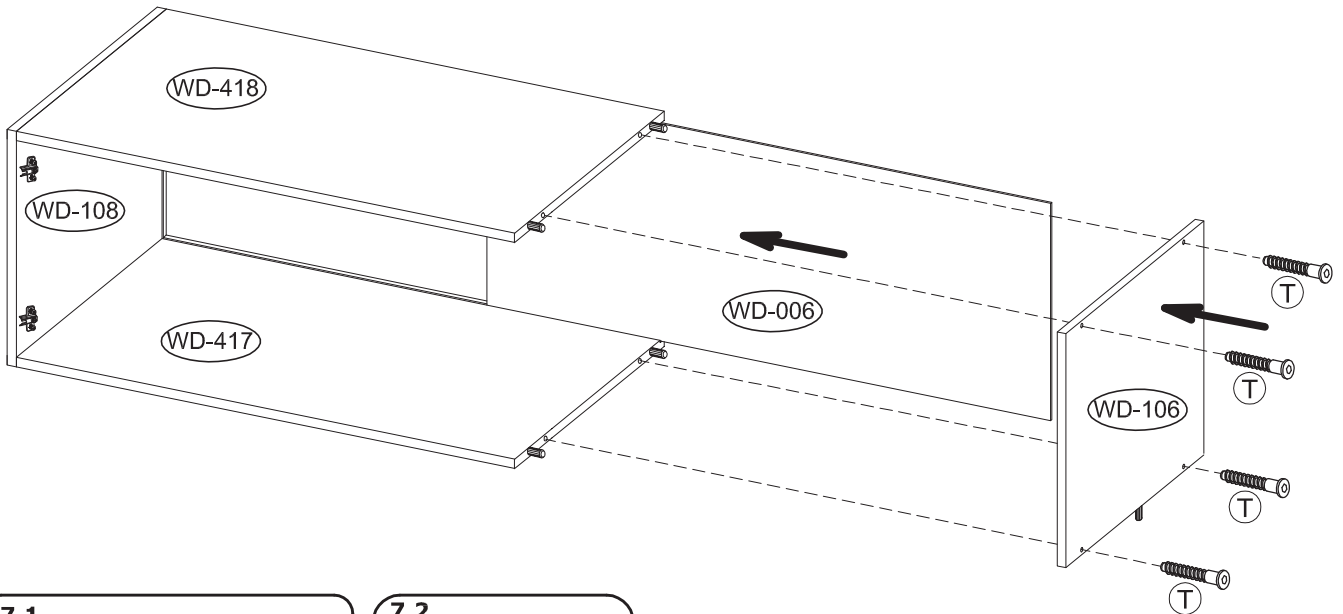
T-4



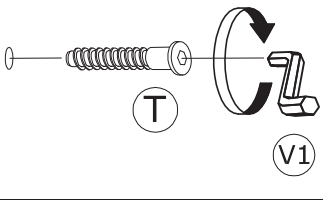
C-4



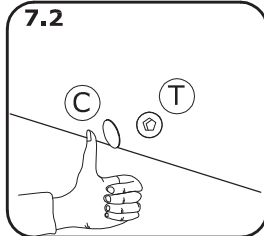
V1-1



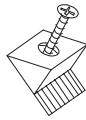
7.1



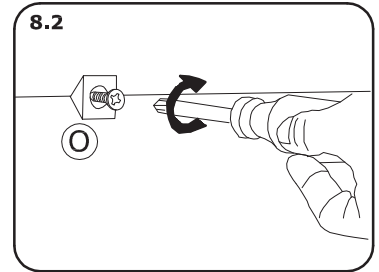
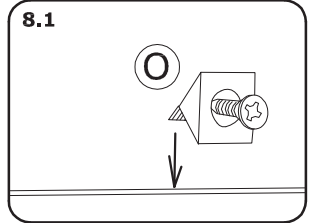
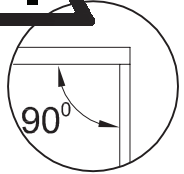
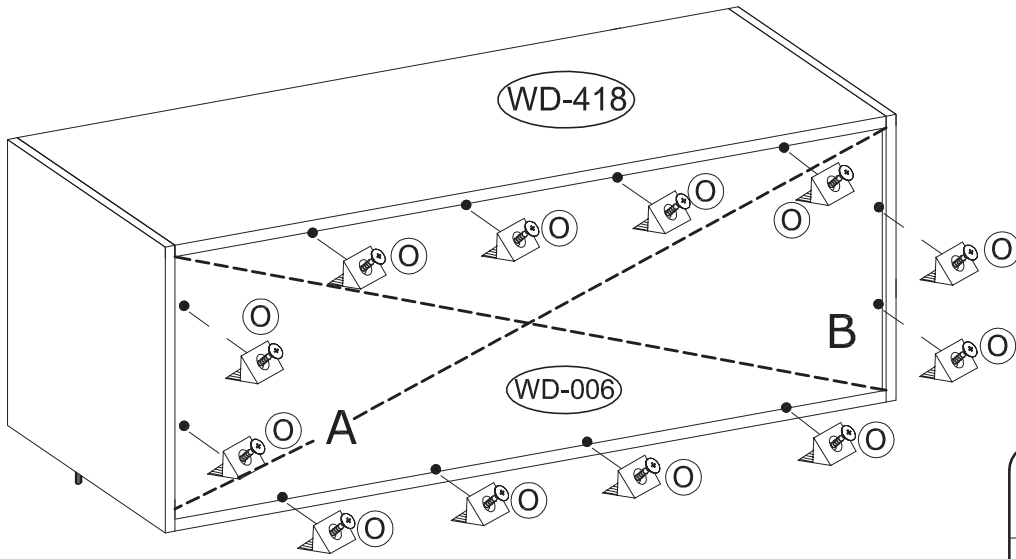
7.2



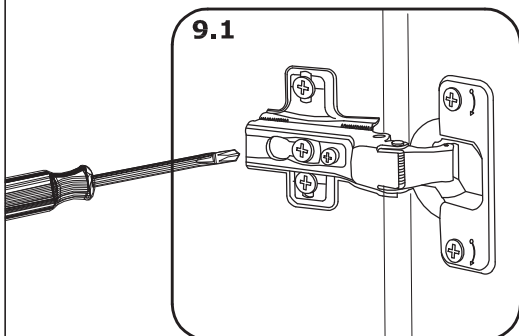
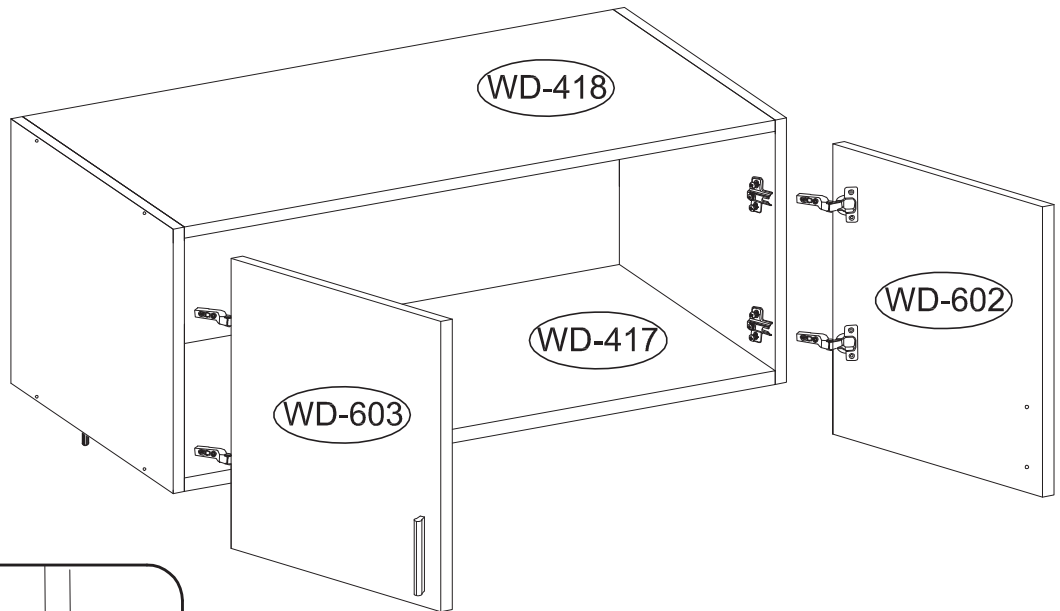
8



Ox12



9



10

