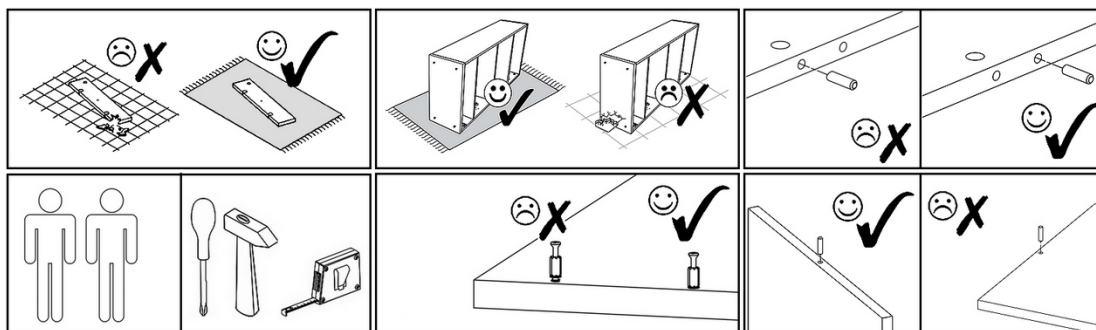
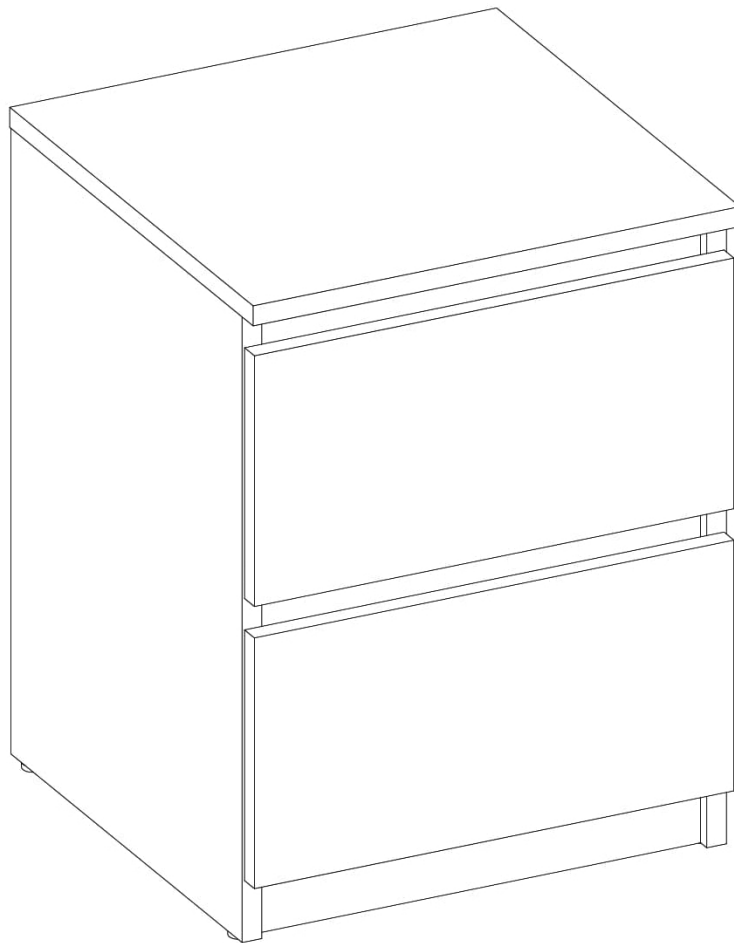


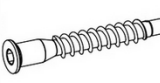




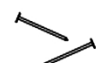
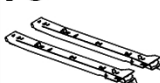



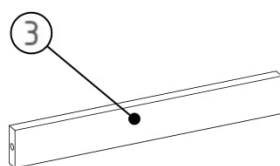
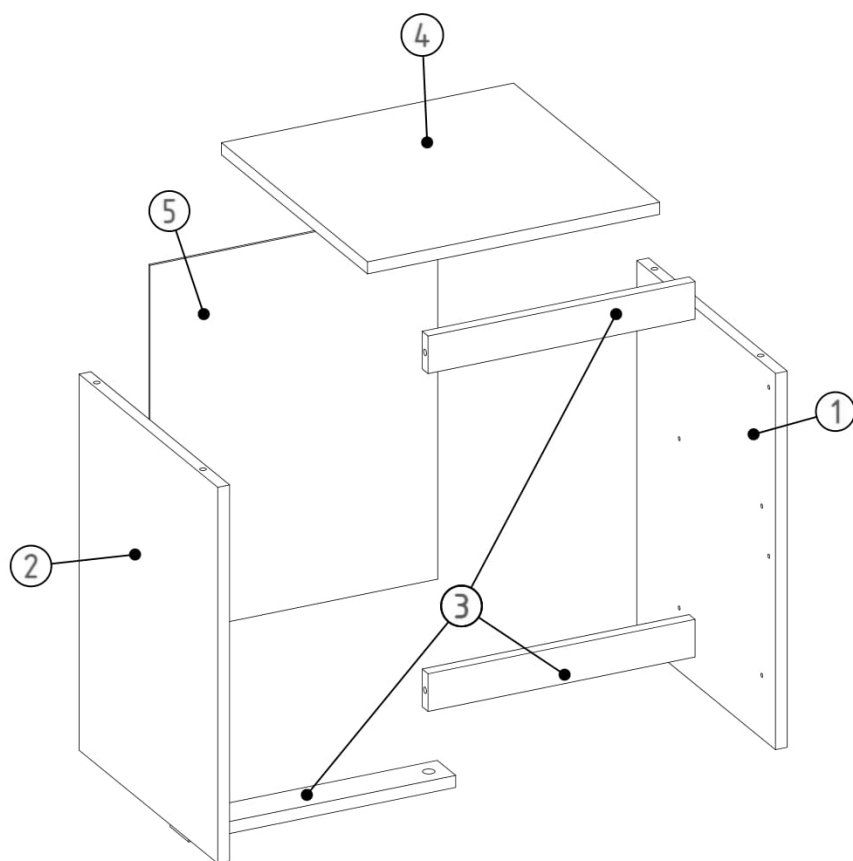


10.08.2021

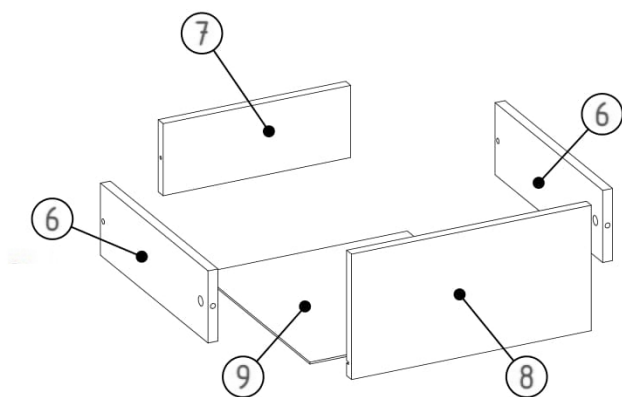
W2 LIFT








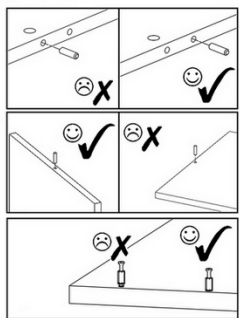
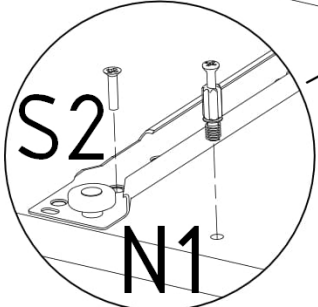
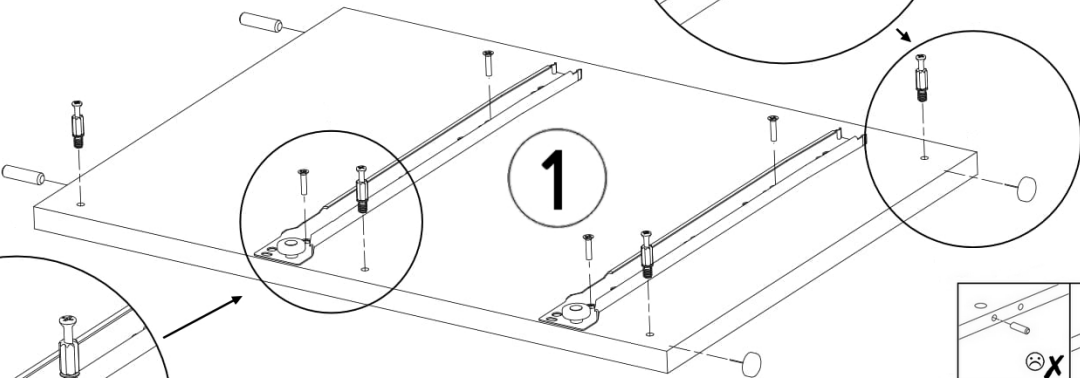
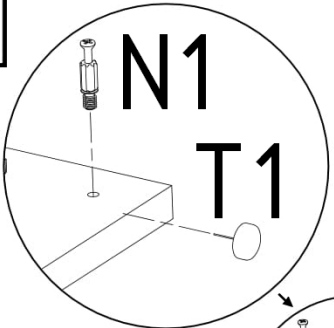
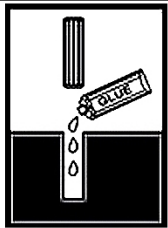
| | | | | | |
|--|--|---|--|--|---|
| N1  L=35mm x12 | M1  12x15 mm x12 | F1  7x50mm x4 | S1  3,5x16 mm x8 | E1  8x30mm x4 |  x1 |
| T1  x4 | Z1  x30 | P3  L=350mm x 2 | S2  6x9 mm x 8 | M2  ø17 mm x 4 | F3  x1 |








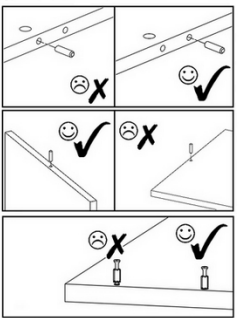
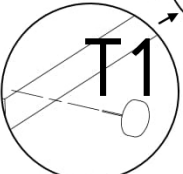
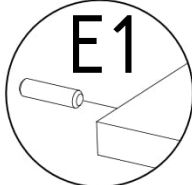
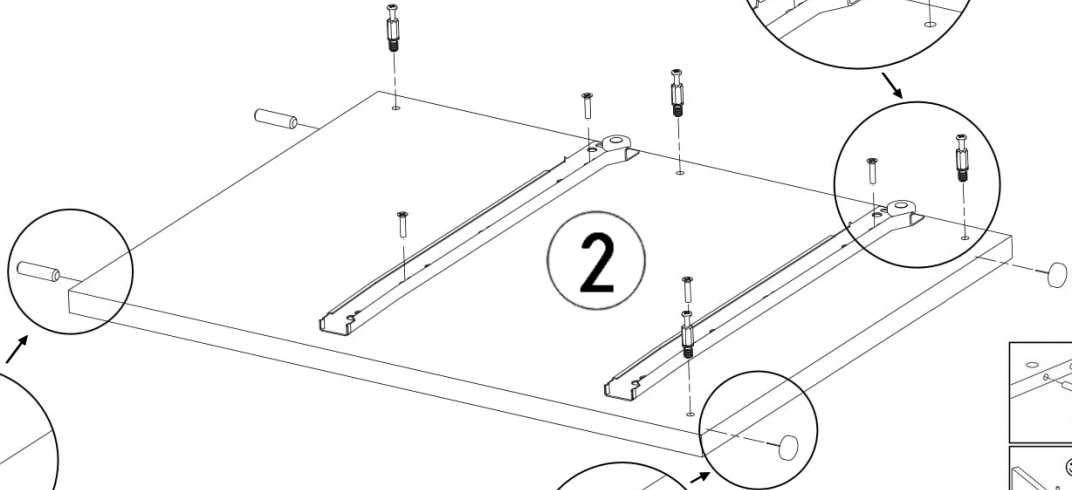
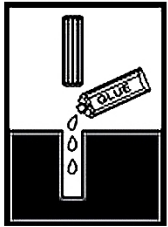
| | | |
|----------|---|---|
| 1 | x | 1 |
| 2 | x | 1 |
| 3 | x | 4 |
| 4 | x | 1 |
| 5 | x | 1 |
| 6 | x | 4 |
| 7 | x | 2 |
| 8 | x | 2 |
| 9 | x | 2 |



| | | | | |
|--|---|---|--|--|
| N1  L=35mm X4 | T1  X2 | S2  6x9 mm X4 | E1  8x30mm X2 |  |
|--|---|---|--|--|

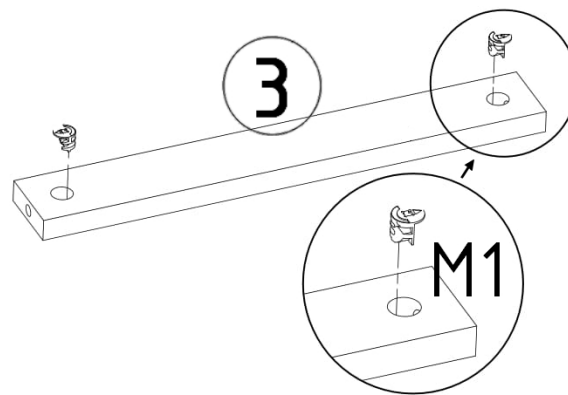
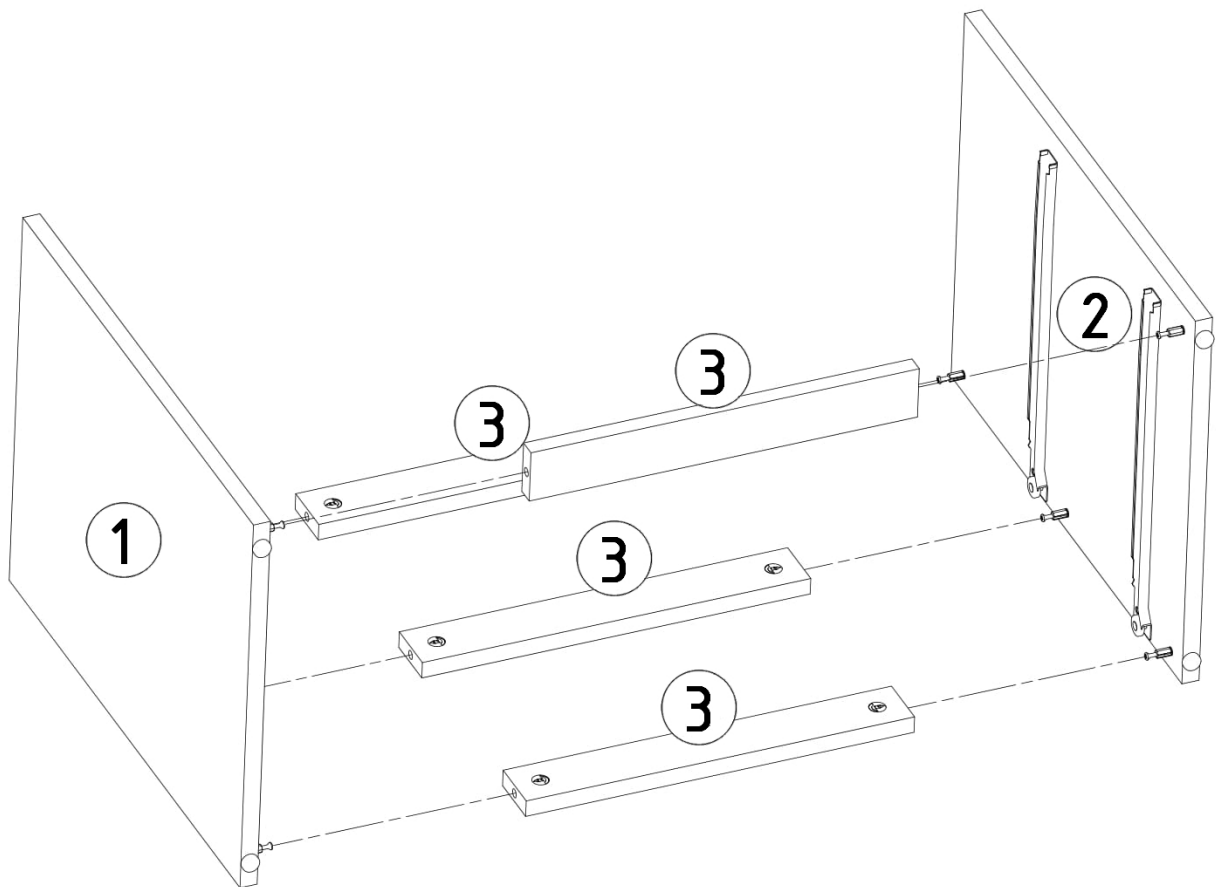


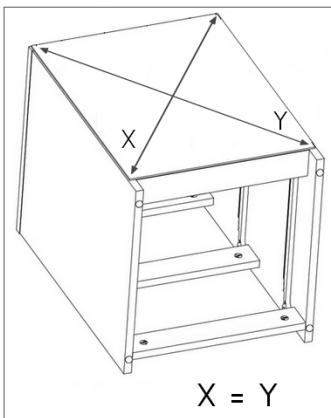
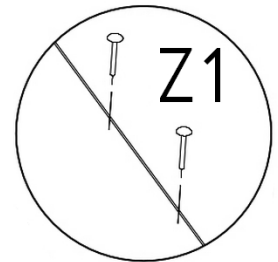
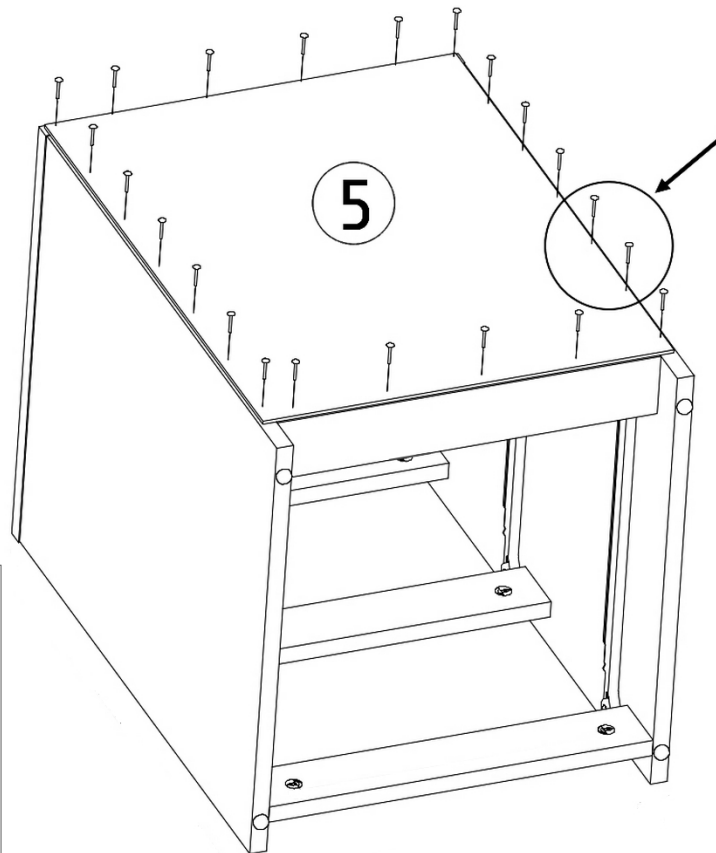
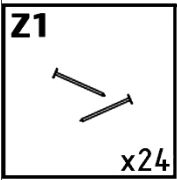
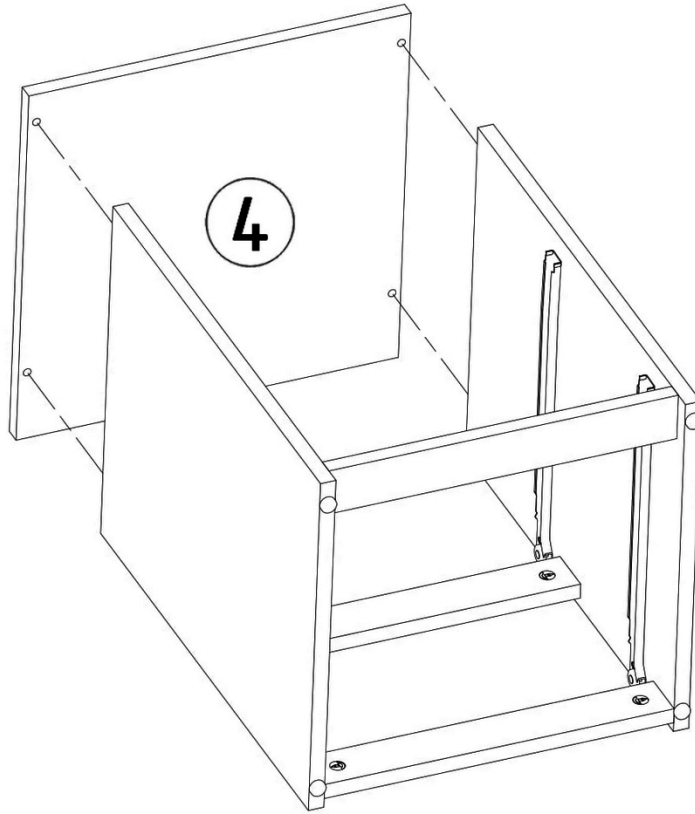
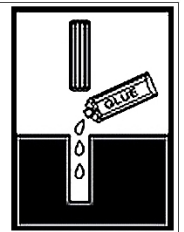
| | | | | |
|---|--|---|---|---|
| N1  L=35mm X4 | T1  X2 | S2  6x9 mm X4 | E1  8x30mm X2 |  |
|---|--|---|---|---|



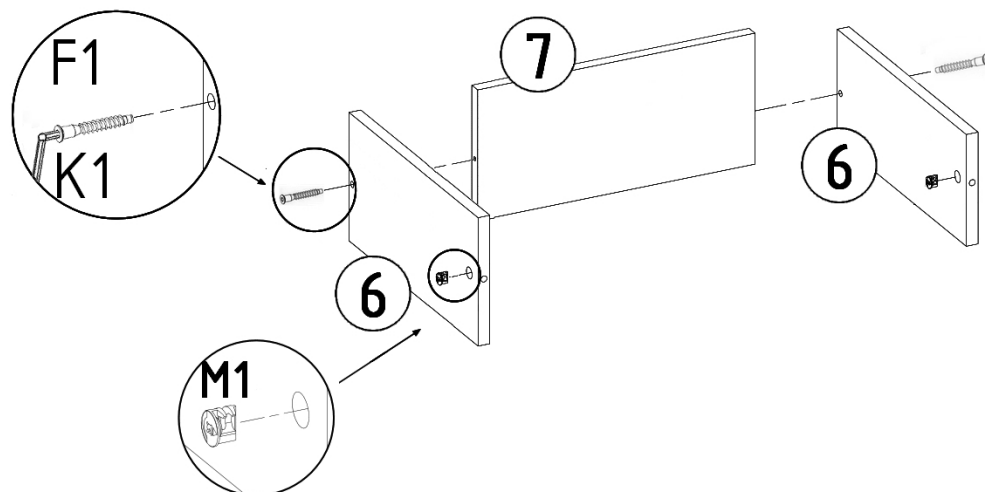
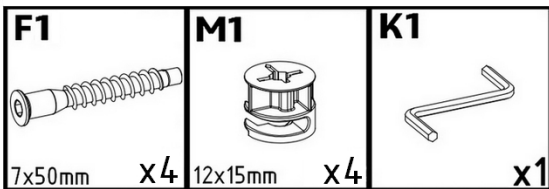
M1

12x15 mm x8

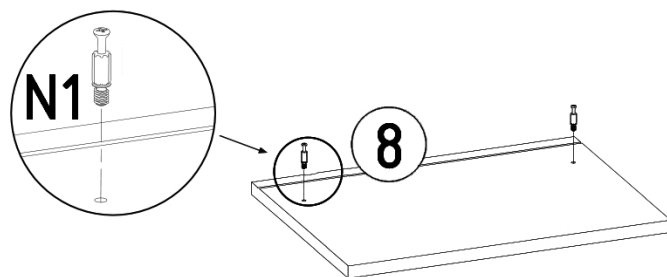
**x4**



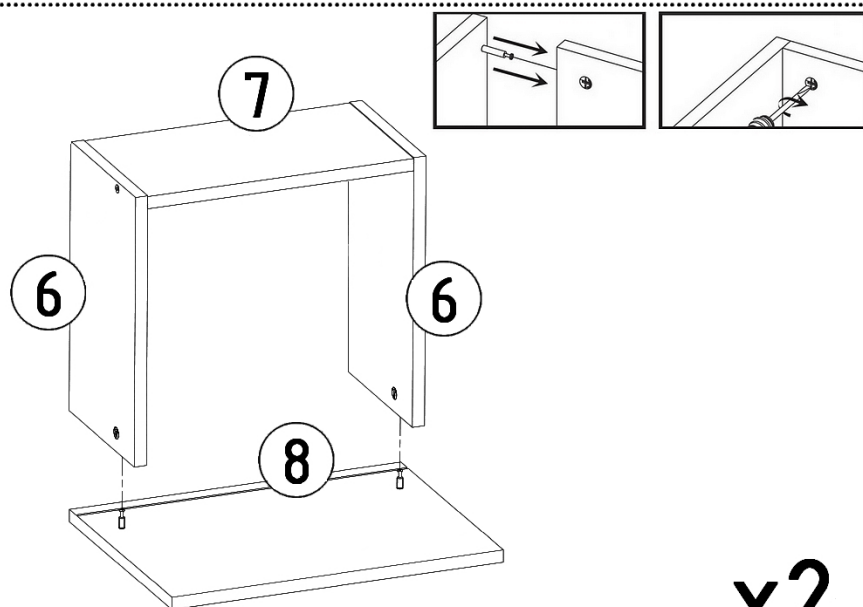
X = Y



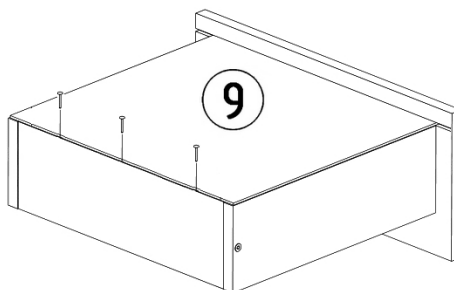
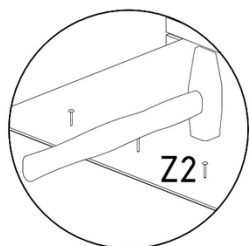
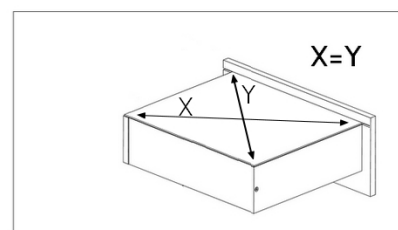
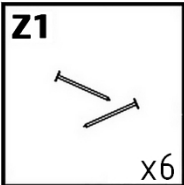
x2



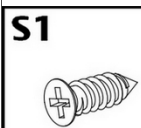
x2



x2

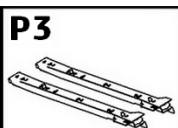


x2



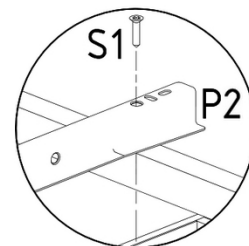
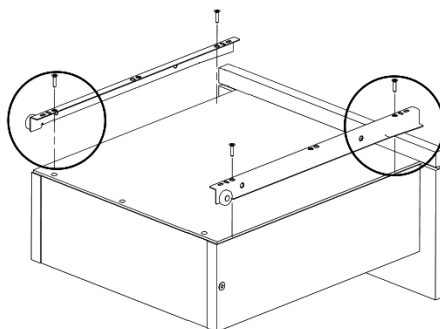
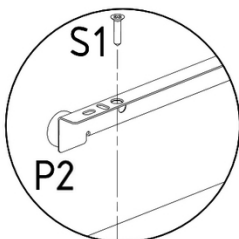
3,5x16mm

x8



L=350mm

x2



x2

