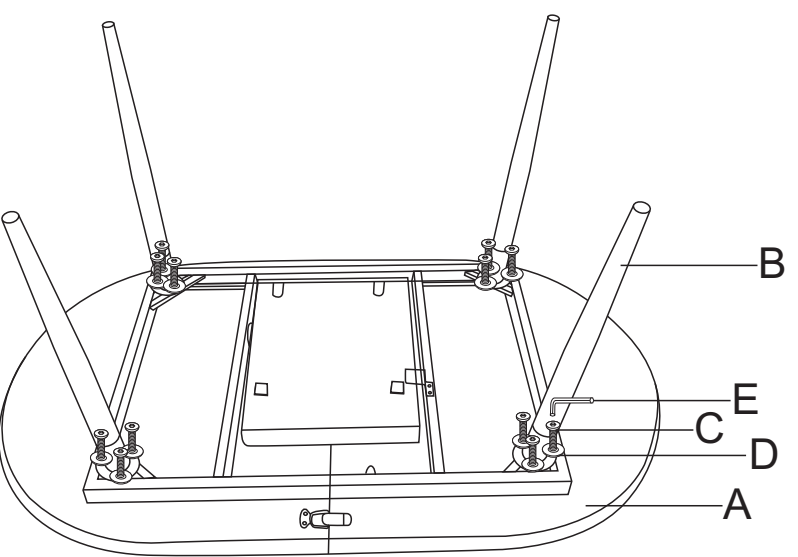
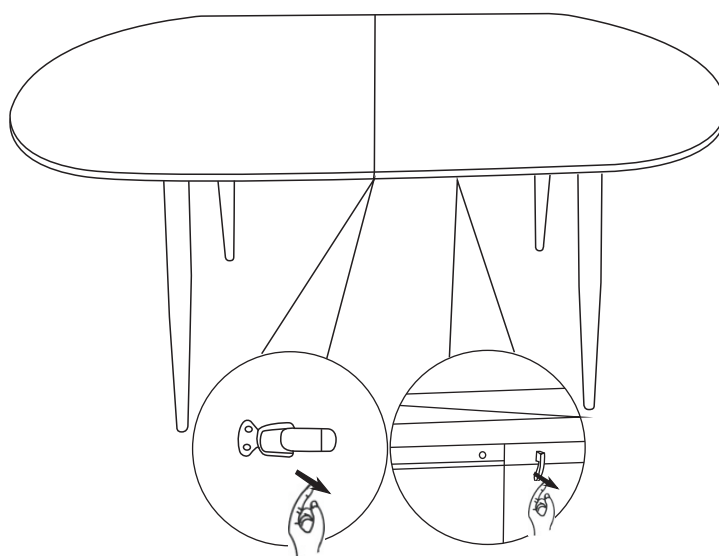
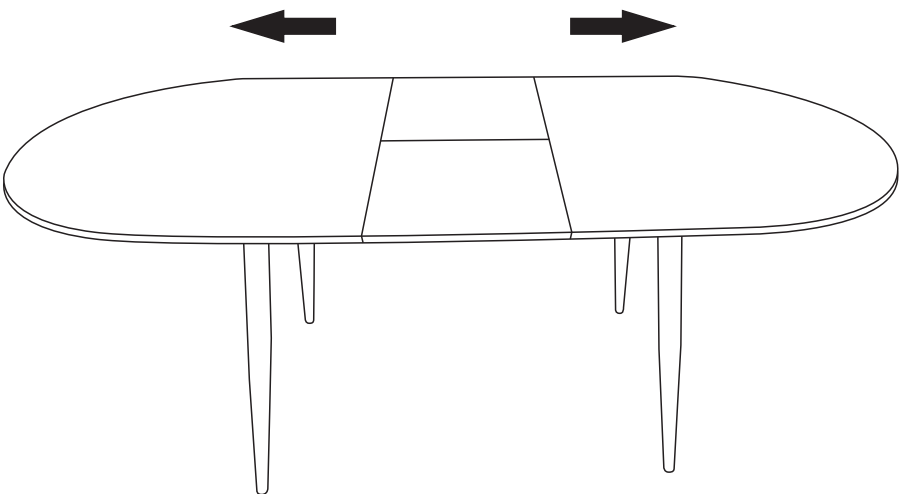

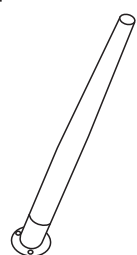
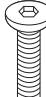




ASSEMBLY INSTRUCTION

DT-2145

<p>1</p> 	<p>2</p> 		
<p>3</p> 	<p>Ax1</p> 	<p>Bx4</p> 	<p>Cx12</p>  <p>M6x16mm</p>
<p>Dx12</p>  <p>M6x14mm</p>		<p>Ex1</p>  <p>M4</p>	