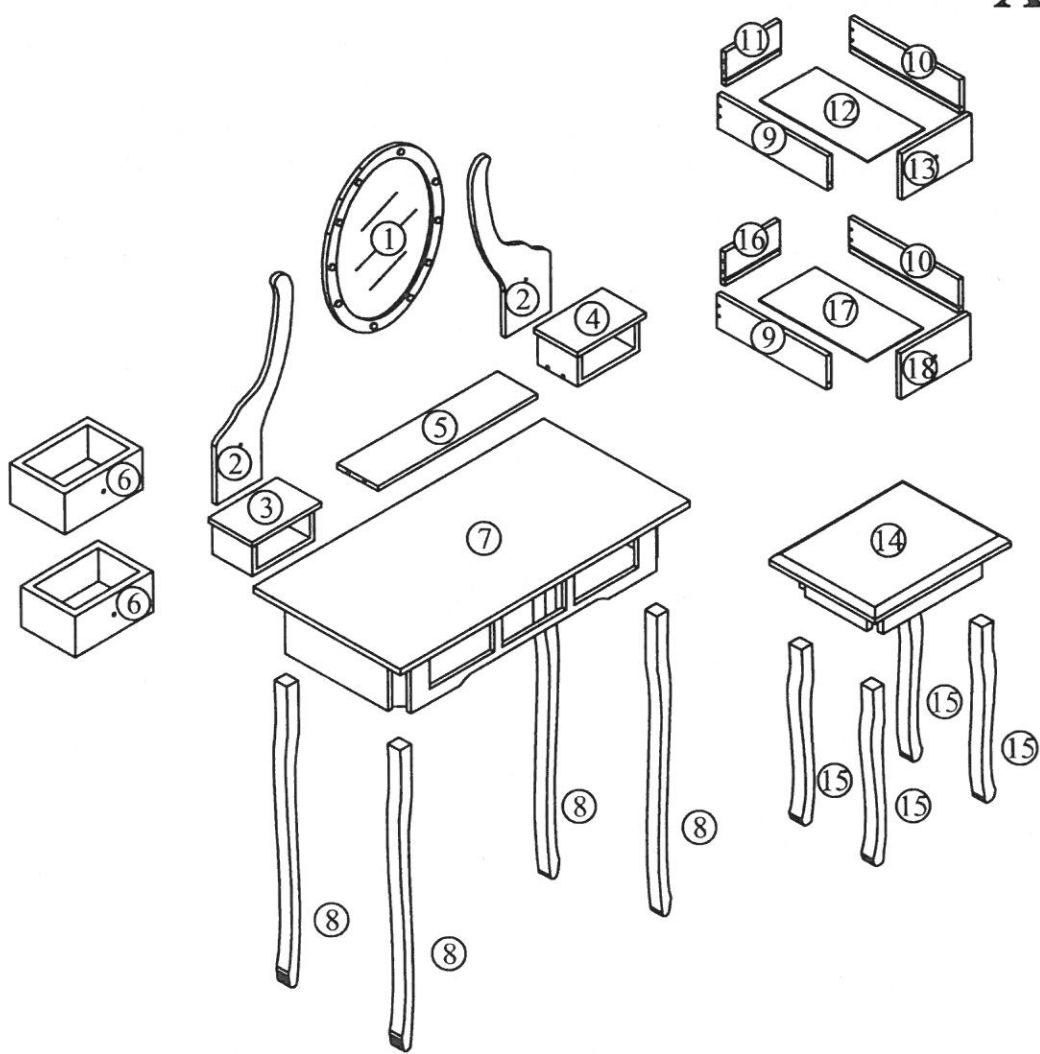
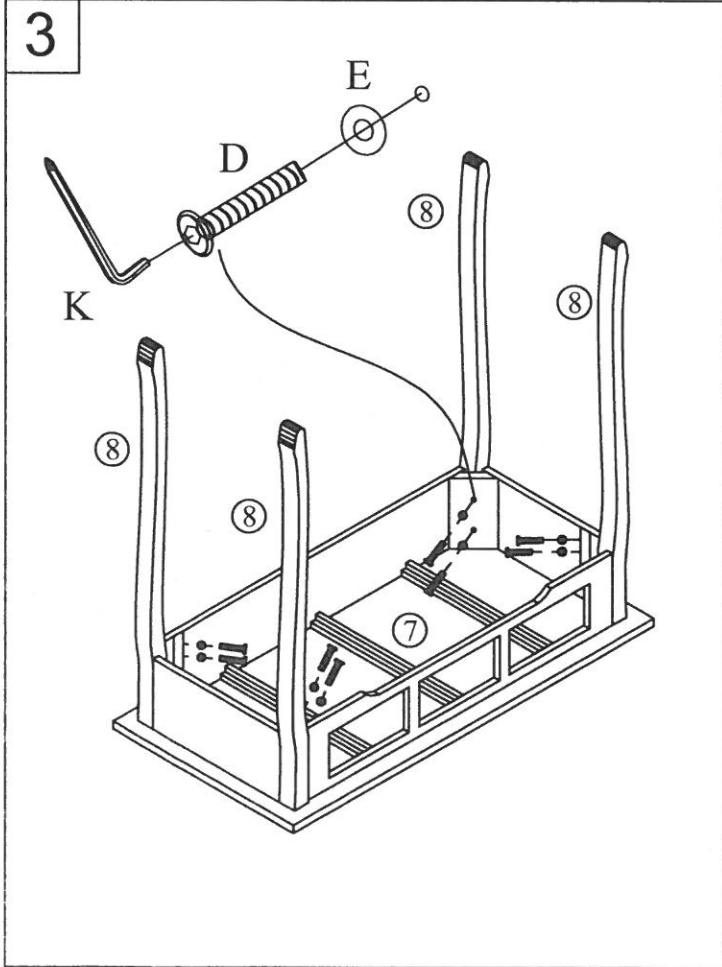
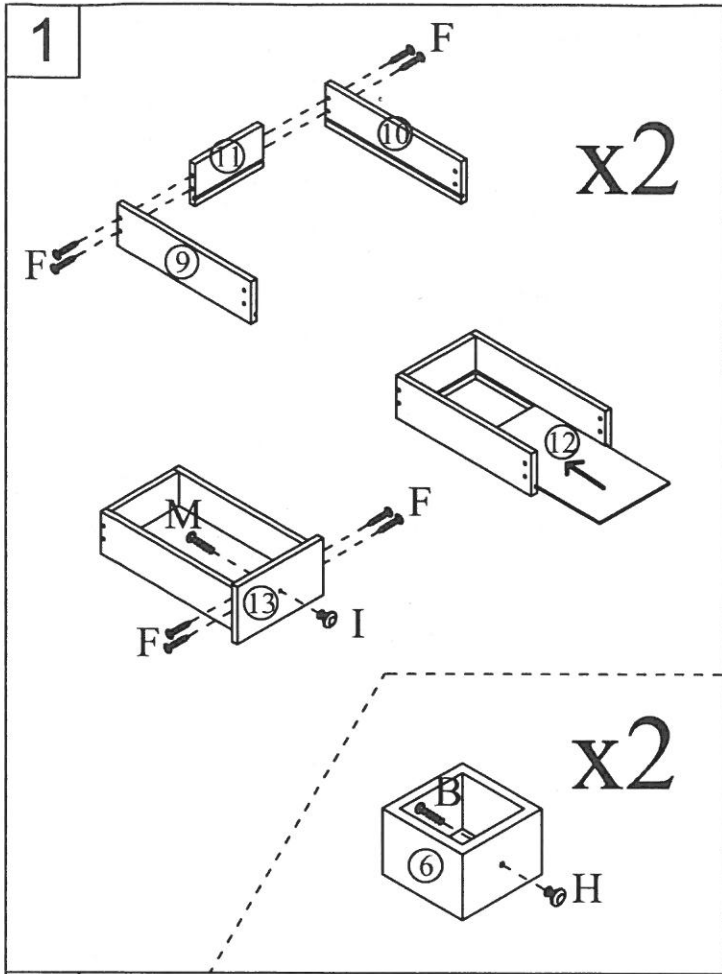


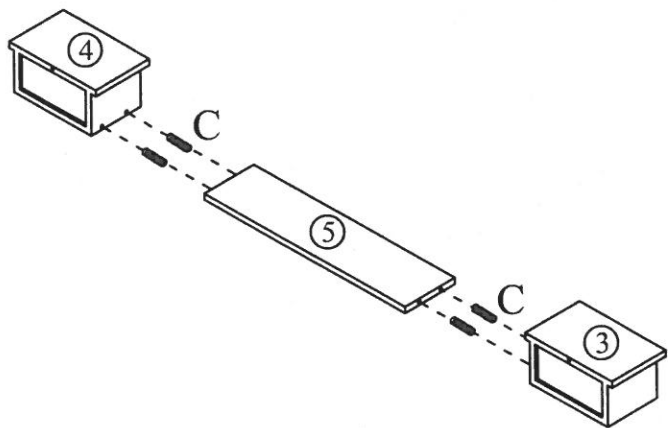
x2



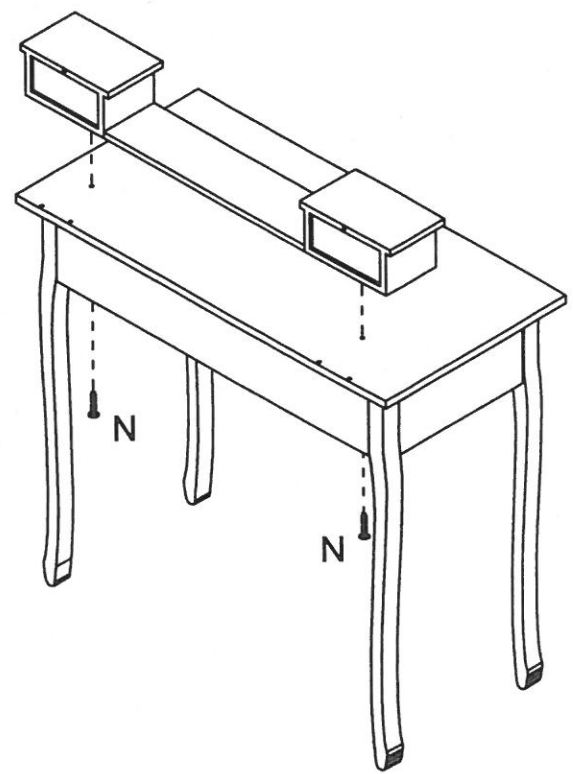
A	x 6	B	x 2	C	x 4	D	x 16
Φ4X35mm		Φ4X20mm		Φ6X30mm		Φ6X45mm	
E	x 16	F	x 24	G	x 6	H	x 2
		Φ3X25mm		Φ3X10mm		Φ20	
I	x 3	J	x 2	K	x 1	L	x 3
Φ24		Φ4X50mm				Φ4X22mm	
M	x 3	N	x 2				
Φ4X20mm		Φ4X20mm					



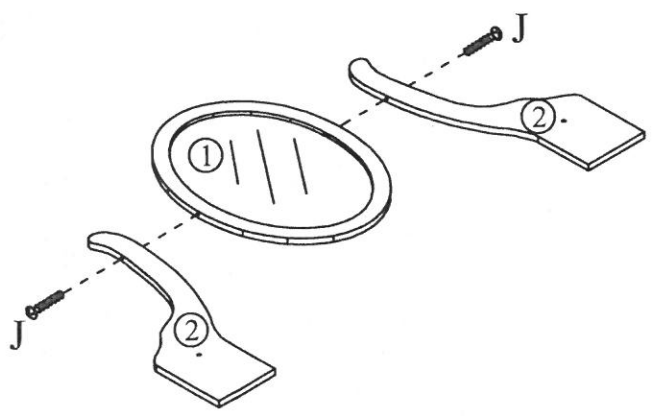
5



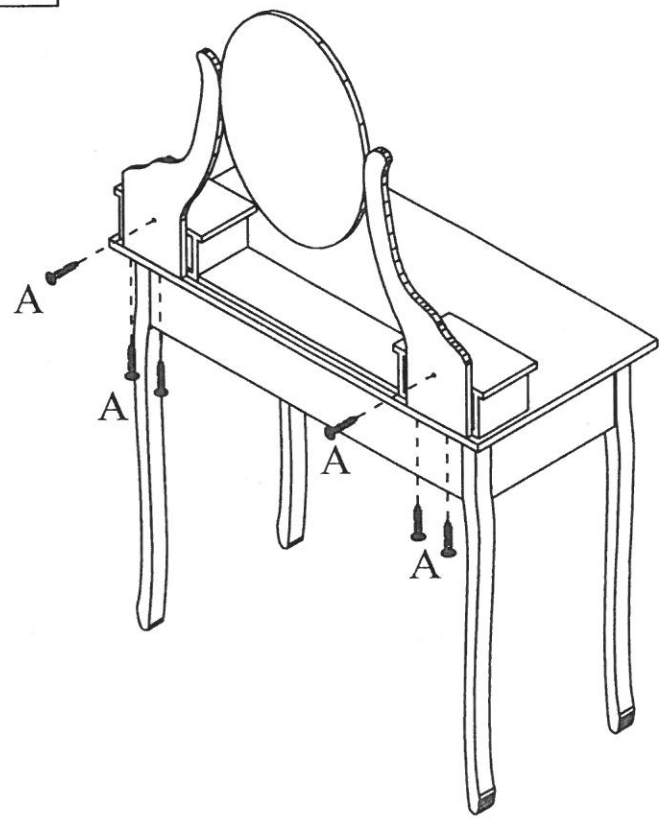
6



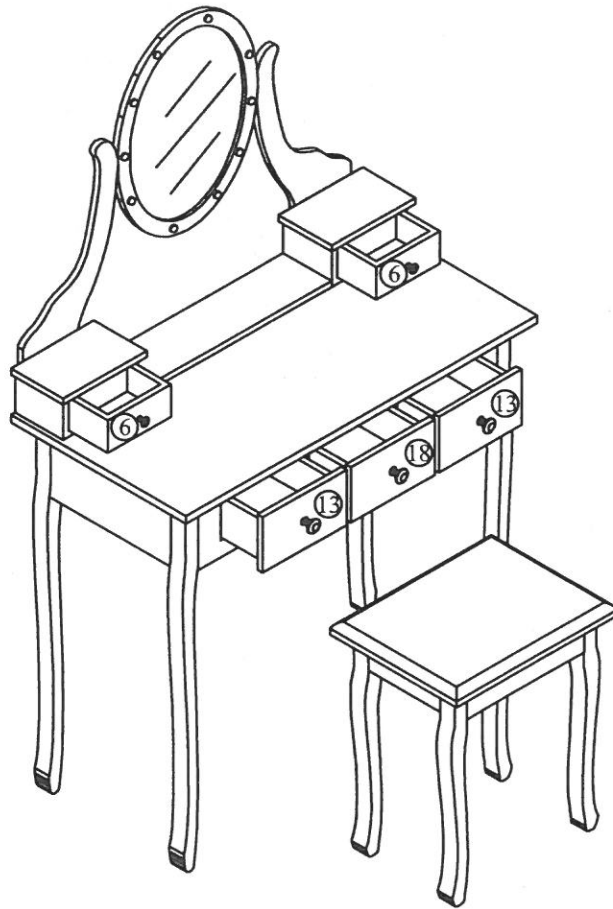
7



8



9



10

