



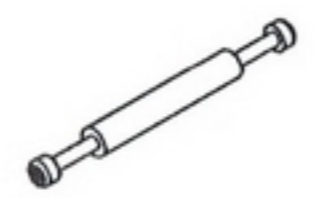



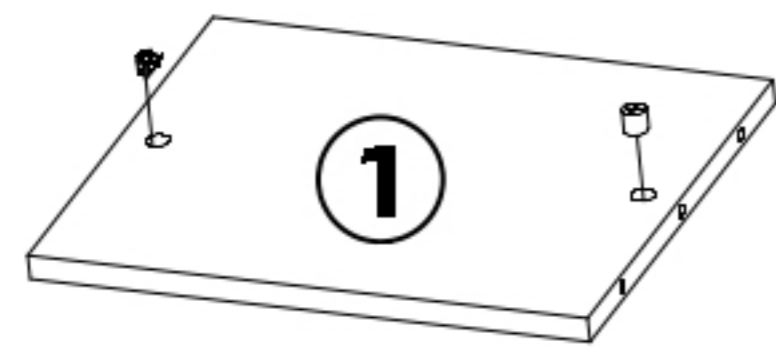
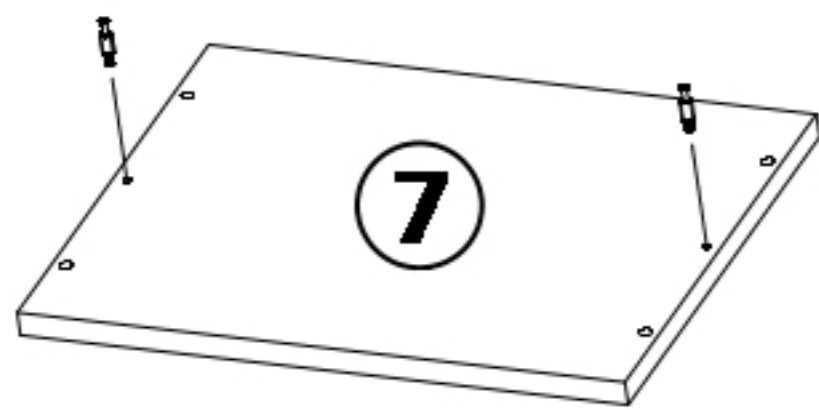
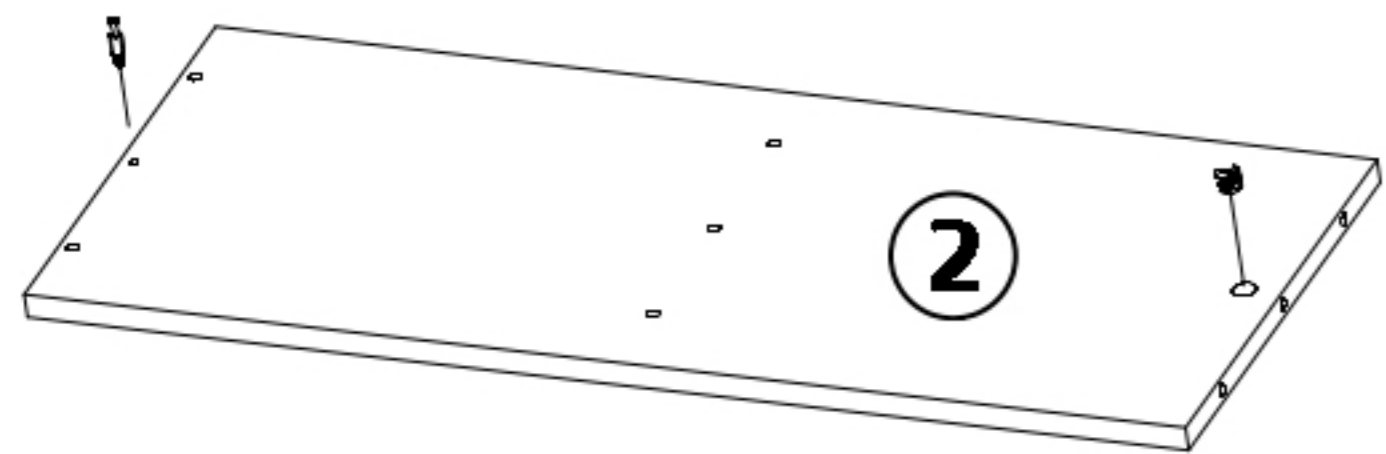
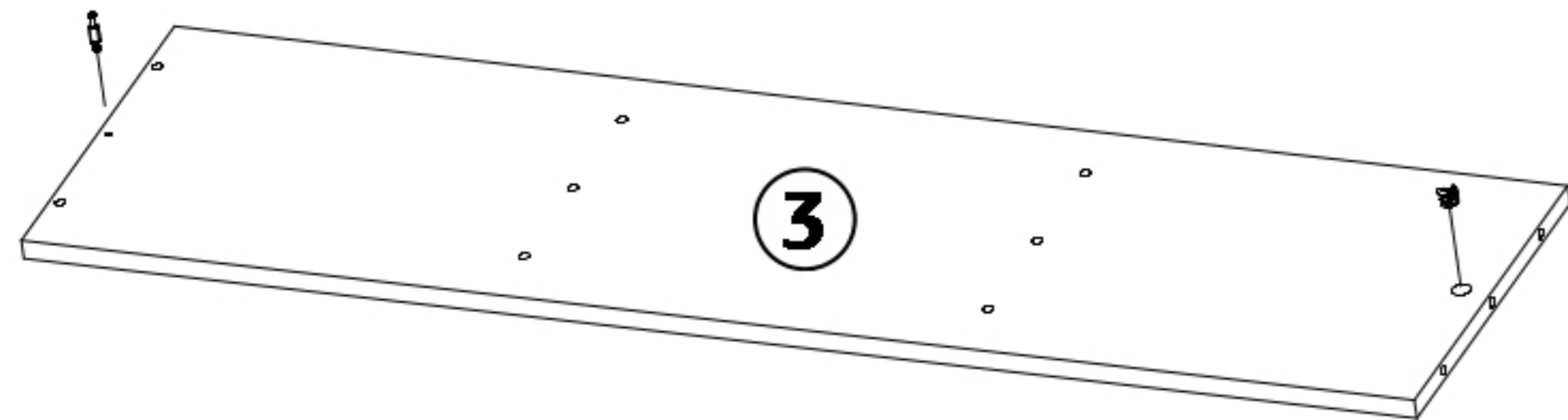
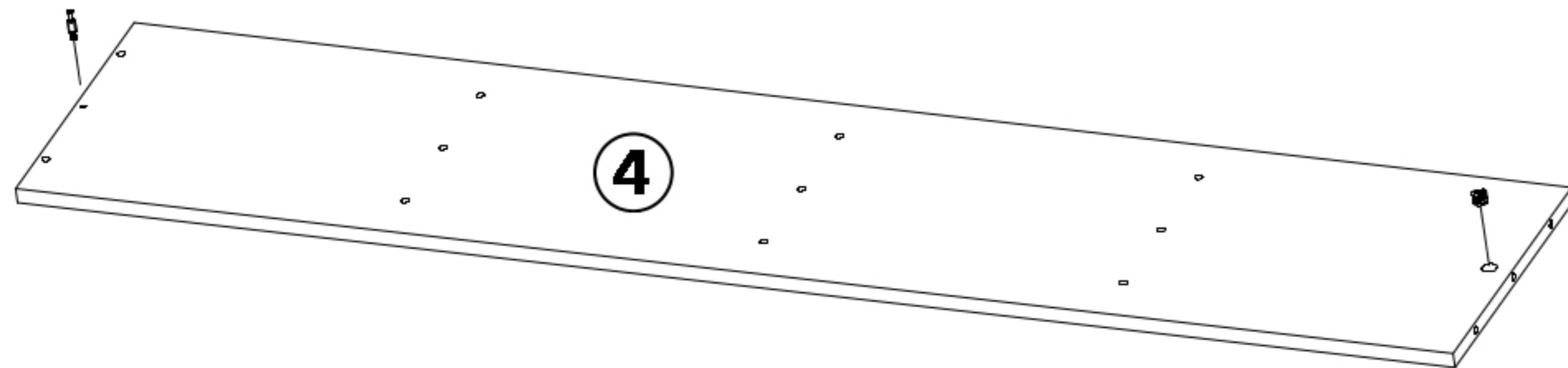
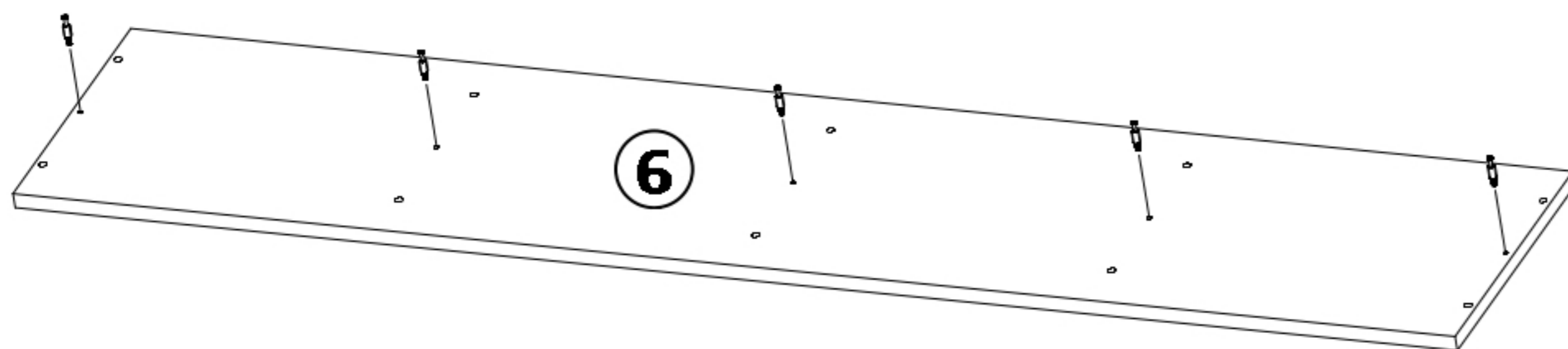
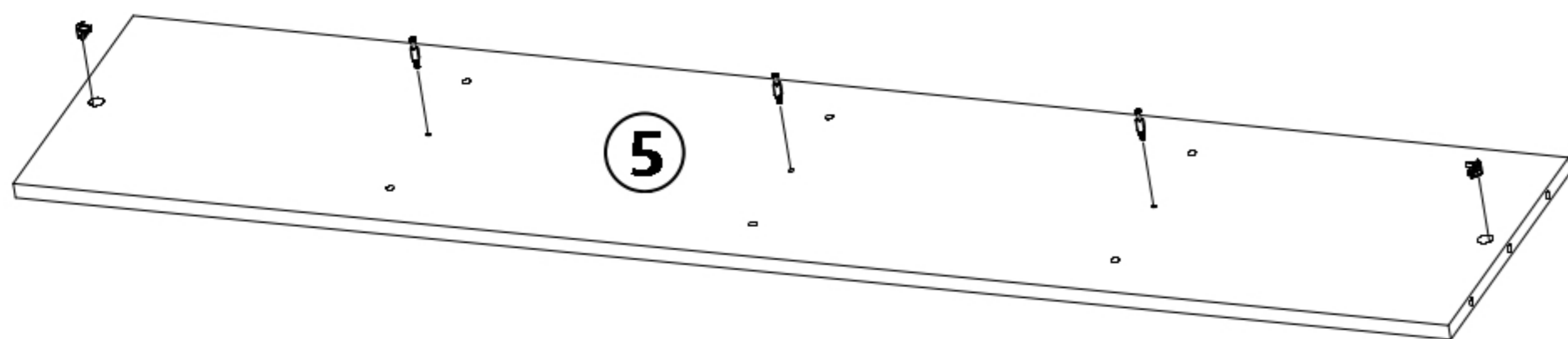
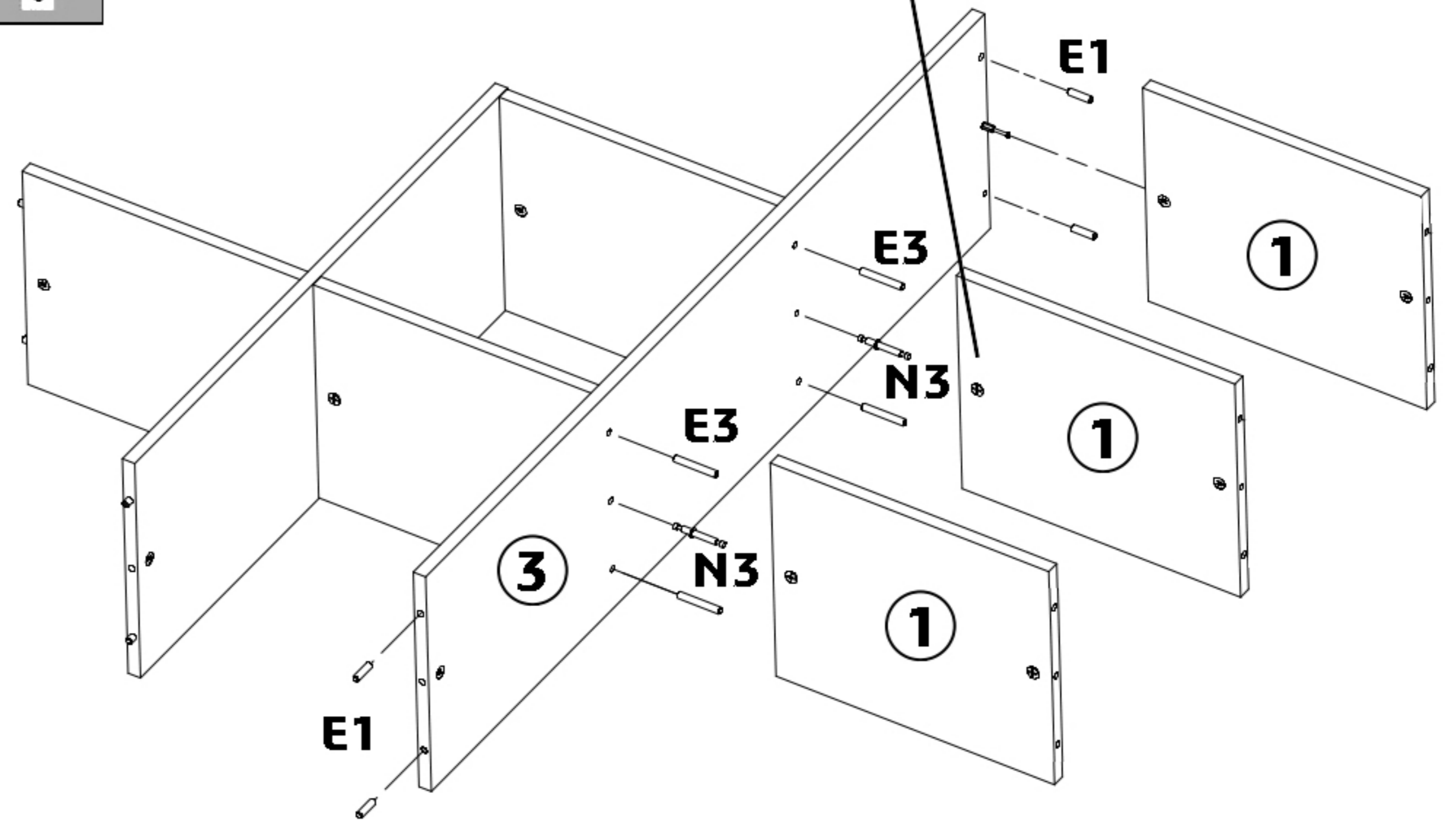
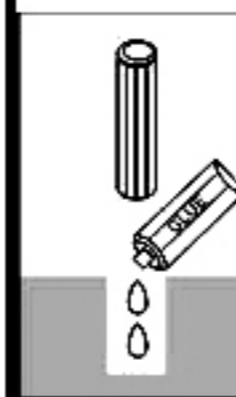
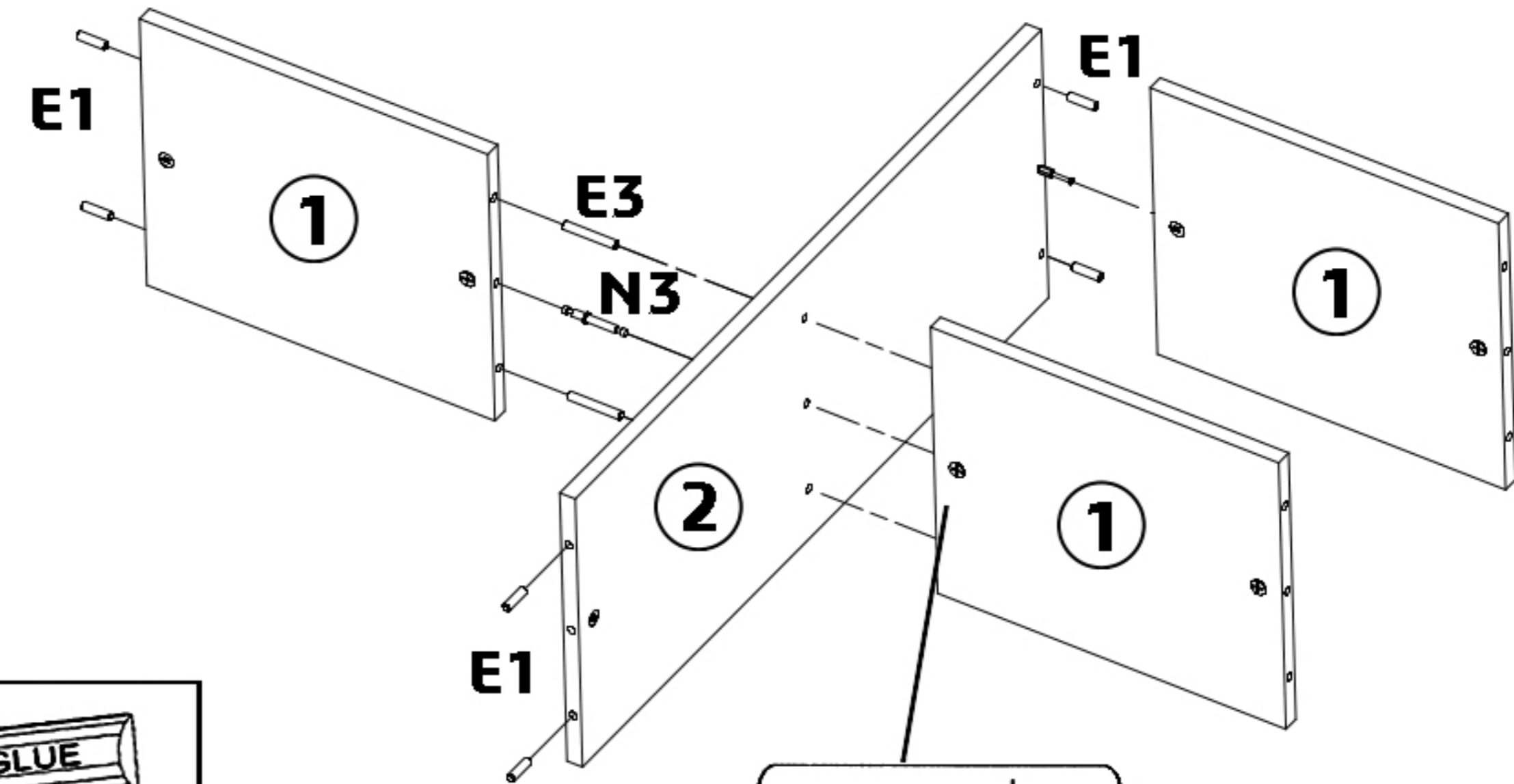





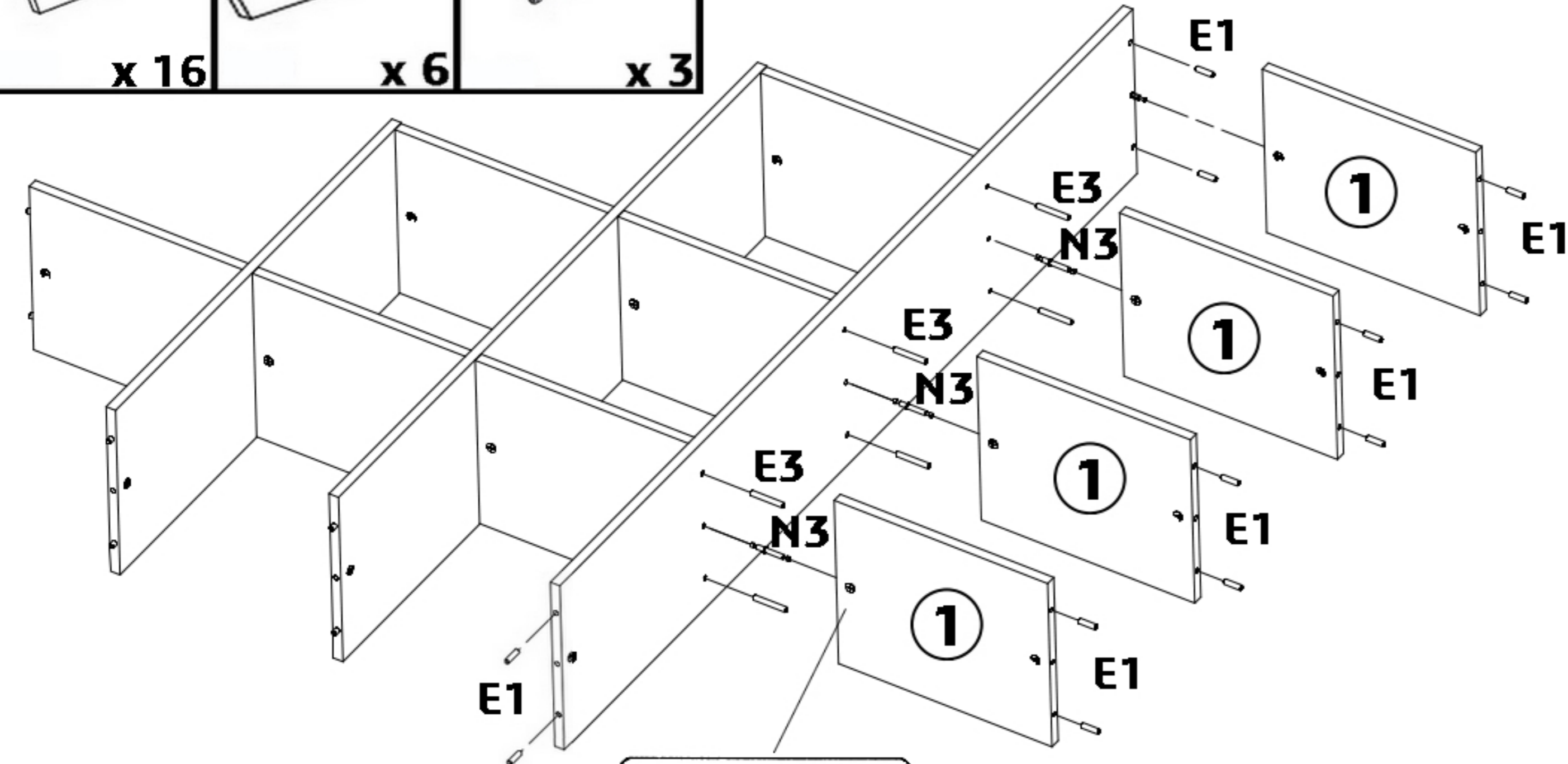

<b>N2</b>  L=35mm <b>x 13</b>	<b>M3</b>  12x15mm <b>x 25</b>	<b>E1</b>  8x30mm <b>x 26</b>	<b>E3</b>  8x50mm <b>x 12</b>	<b>N3</b>  L=62mm <b>x 6</b>	<b>T1</b>  <b>x 6</b>	<b>M2</b>  ø=16mm <b>x 25</b>	 <b>x 1</b>
---	---	--	---	---	--	--	---

<b>1</b>	<b>x 10</b>
<b>2</b>	<b>x 1</b>
<b>3</b>	<b>x 1</b>
<b>4</b>	<b>x 1</b>
<b>5</b>	<b>x 1</b>
<b>6</b>	<b>x 1</b>
<b>7</b>	<b>x 1</b>


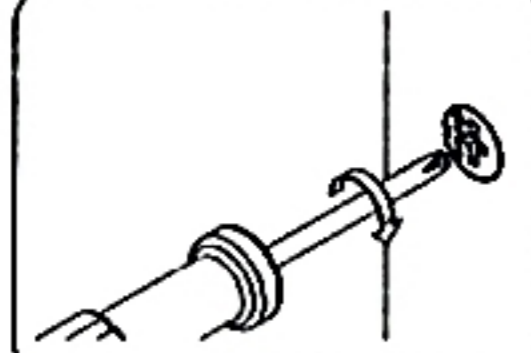
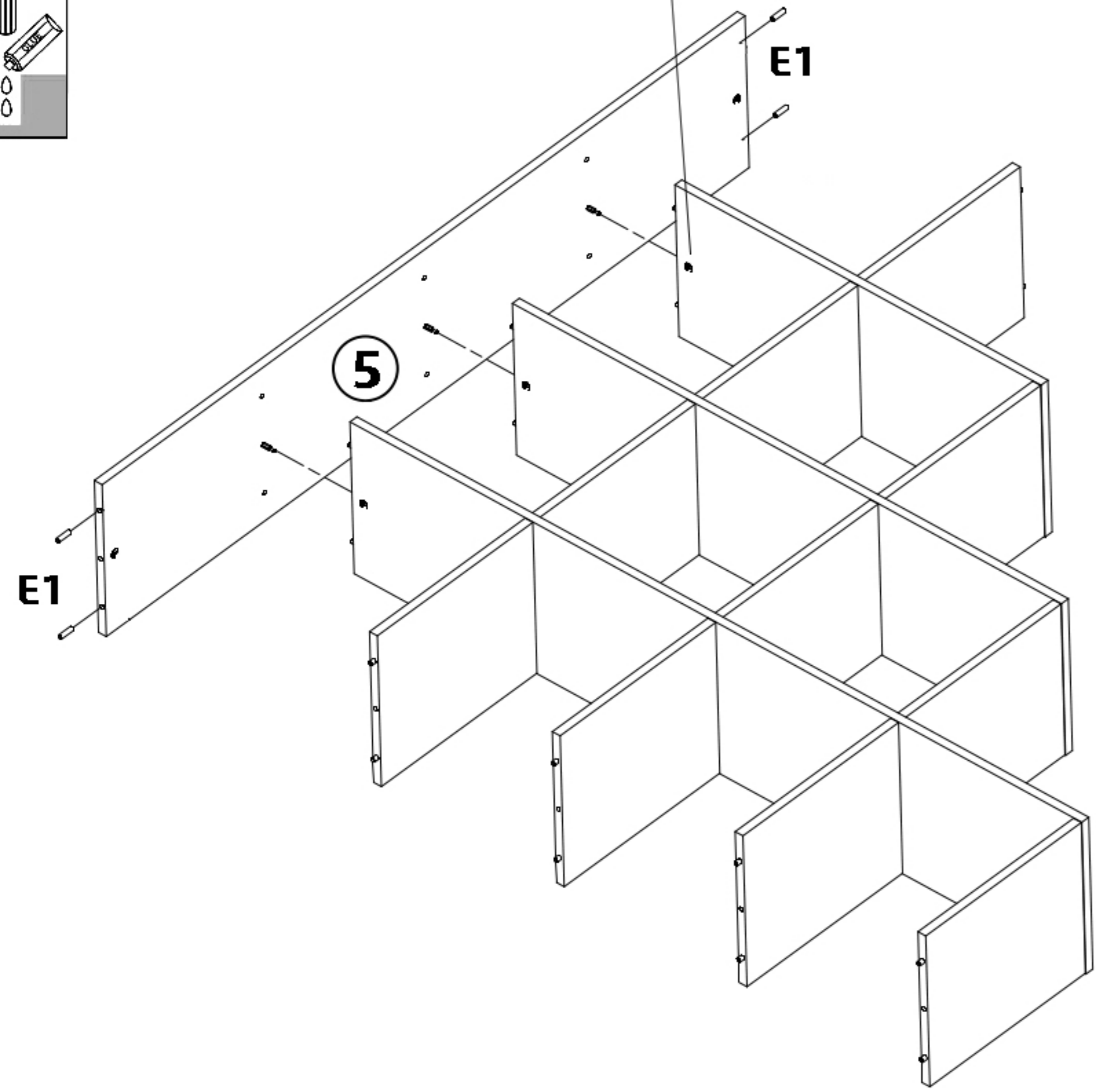
**1****N2****x 13****1****x 10****M3****x 25****7****2****3****4****6****5****2****E1****x 14****E3****x 6****N3****x 3**

3


<b>E1</b>  x 16	<b>E3</b>  x 6	<b>N3</b>  x 3
---	---	---





GLUE

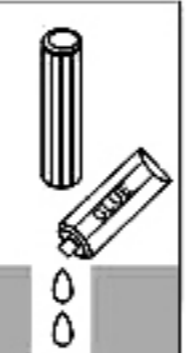
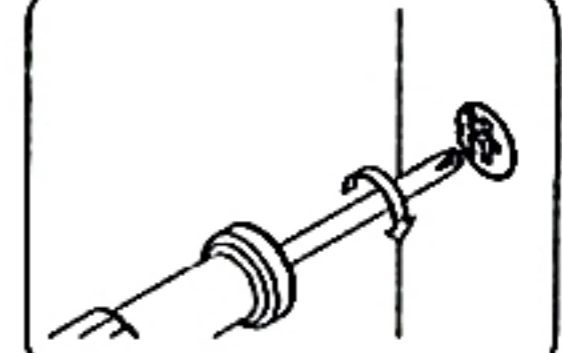
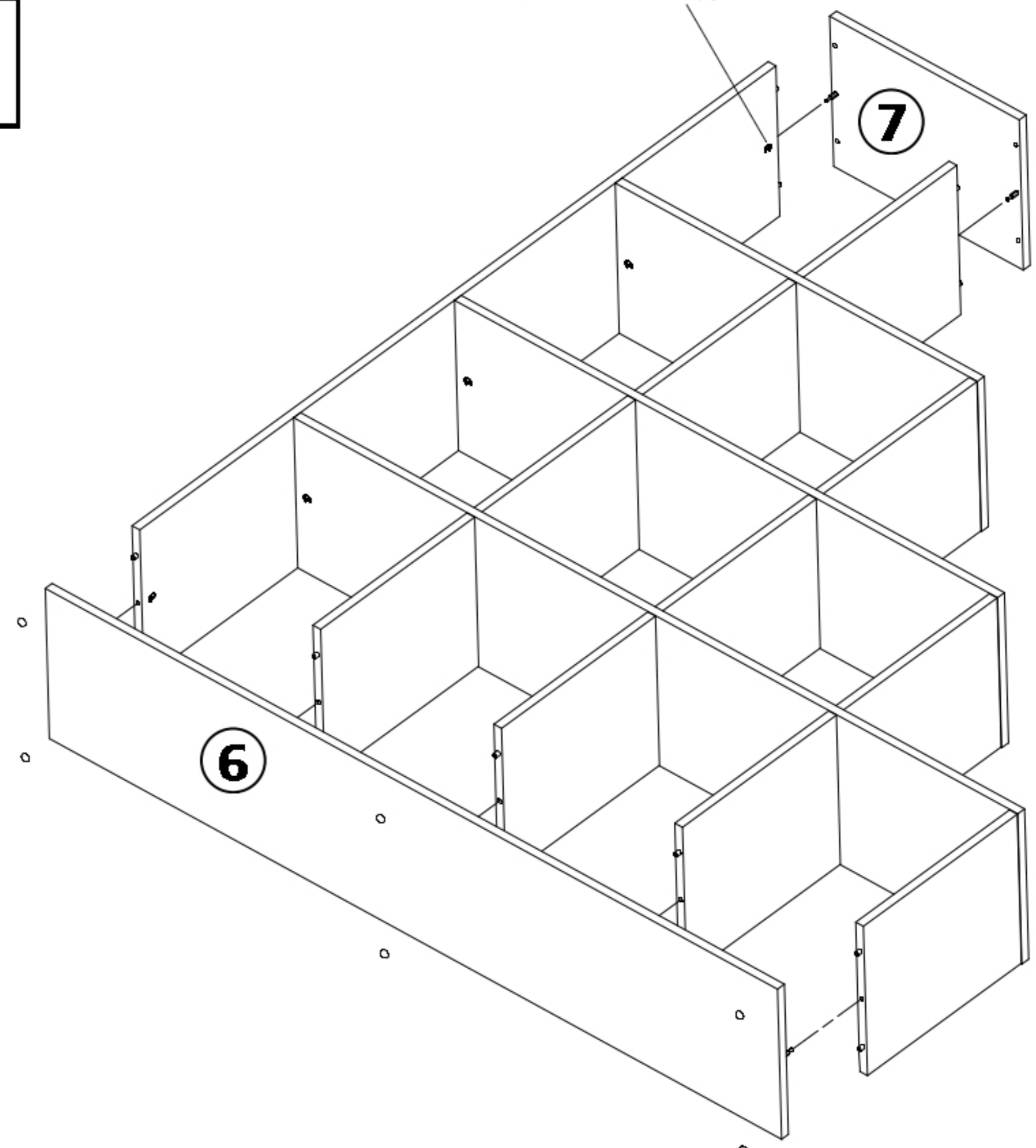
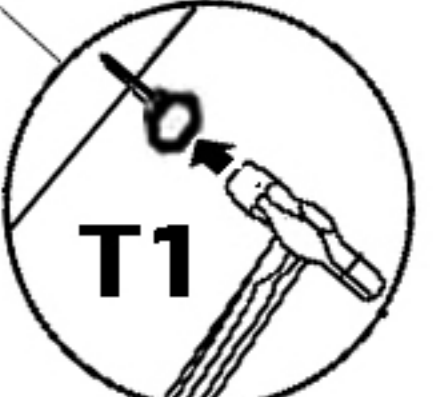




4

**T1**  
  
x 6



GLUE

T1