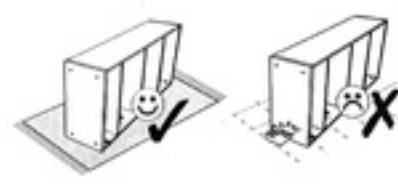


- | | | | | | |
|--------------------------|-------------------------|------------------------|------------------------------|------------------------|-------------------------|
| A
L=45mm x34 | B
12x15mm x34 | C
8x35mm x42 | D
L=400mm x6 | E
6x8mm x24 | F
x1 |
| G
3,5x16mm x24 | H
x4 | I
x80 | J
ø17mm x48
x12 | K
L=43mm x20 | O
L=1318mm x1 |



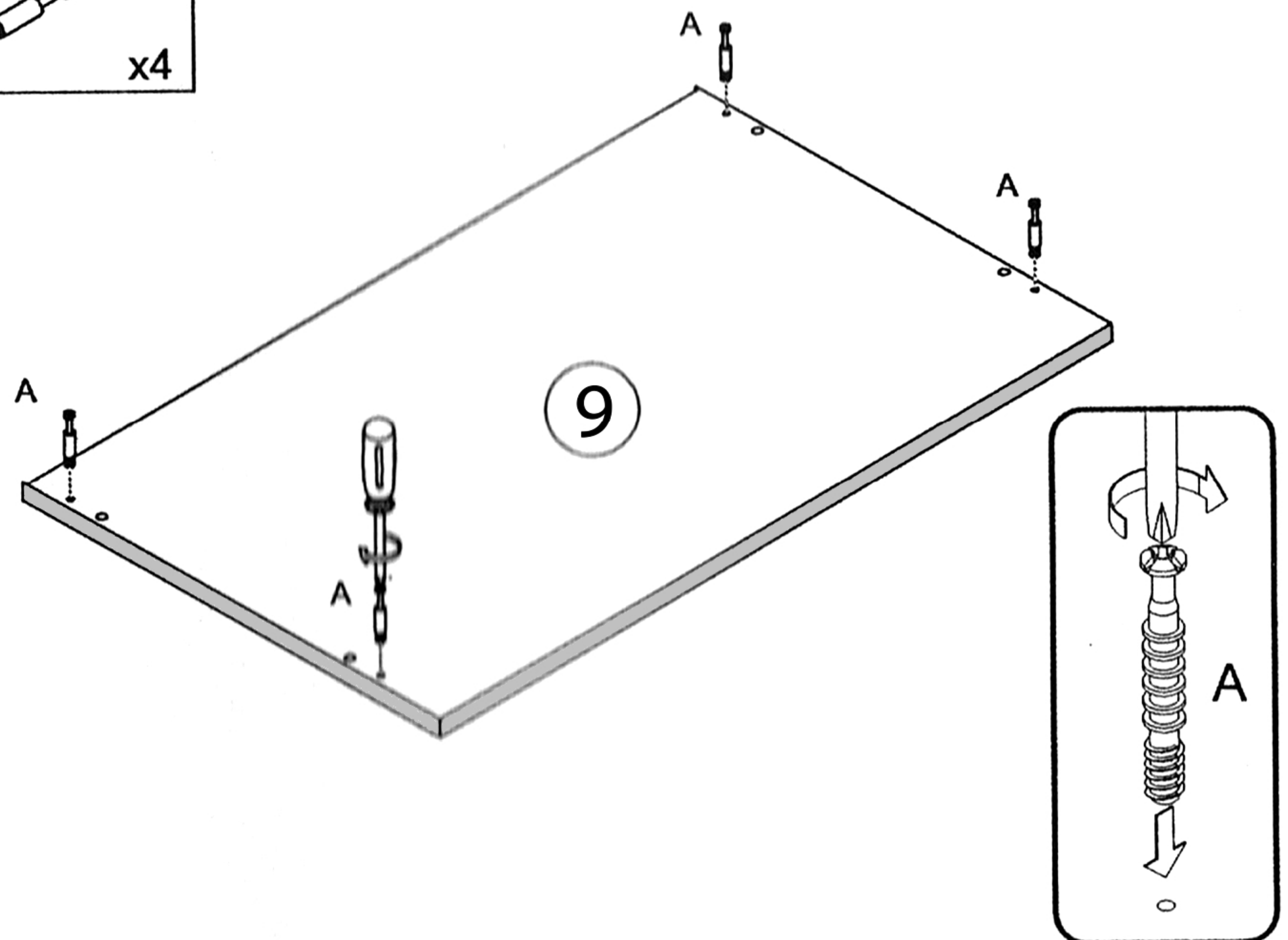
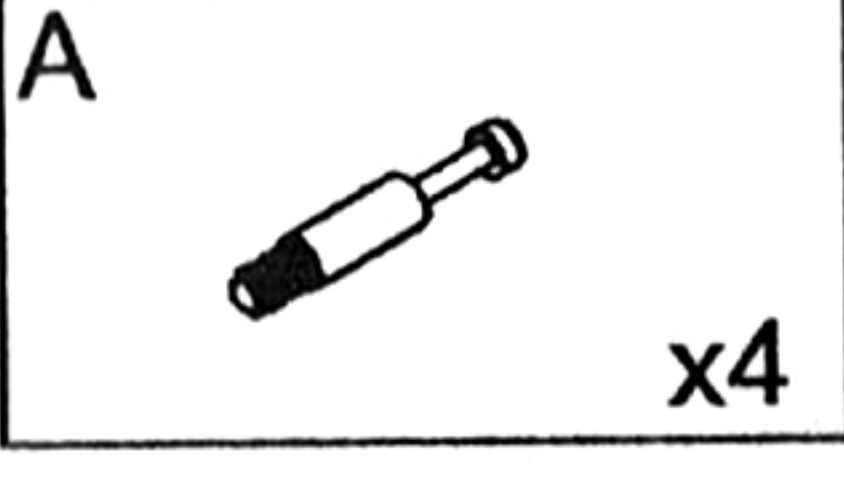
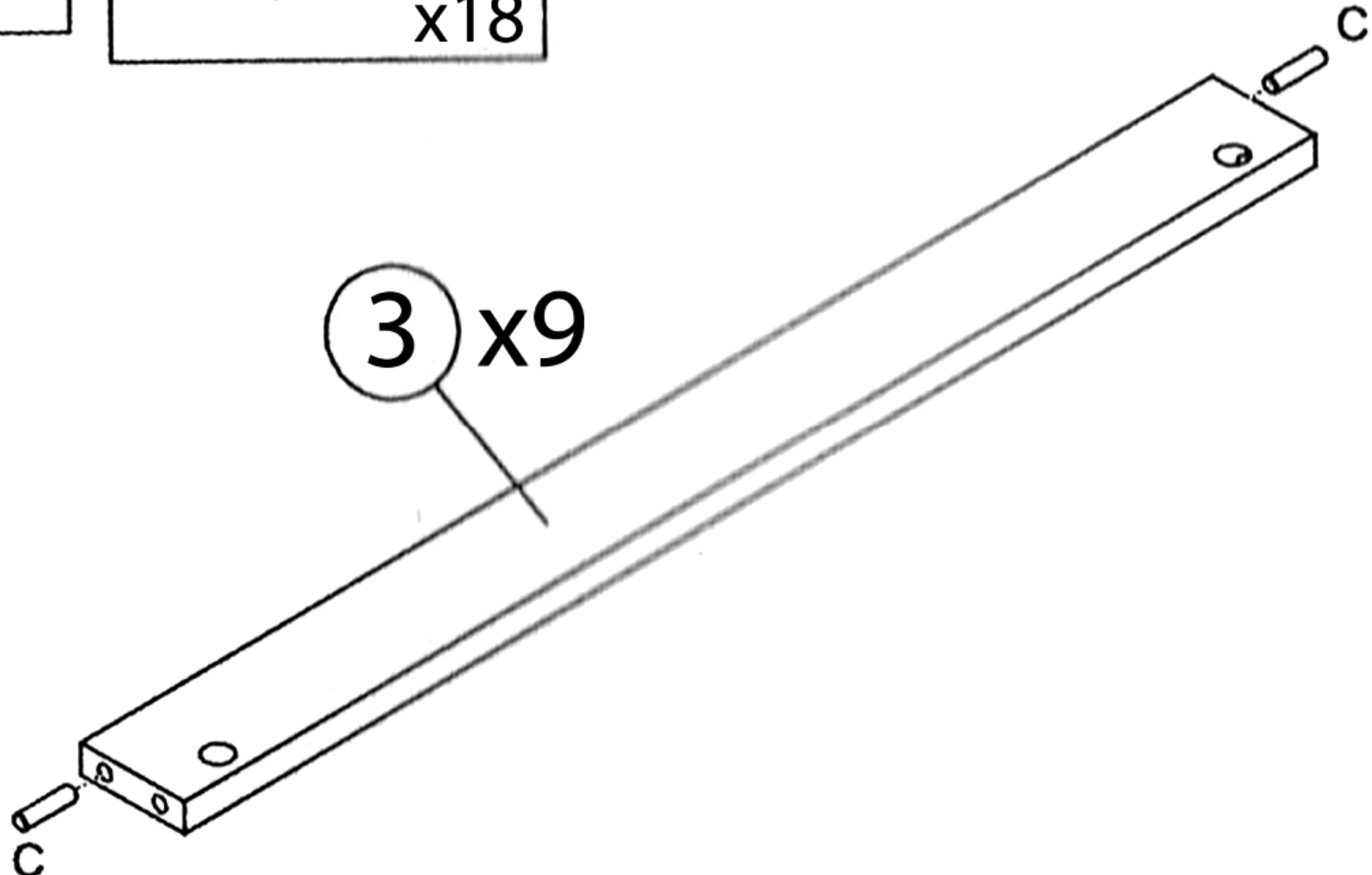
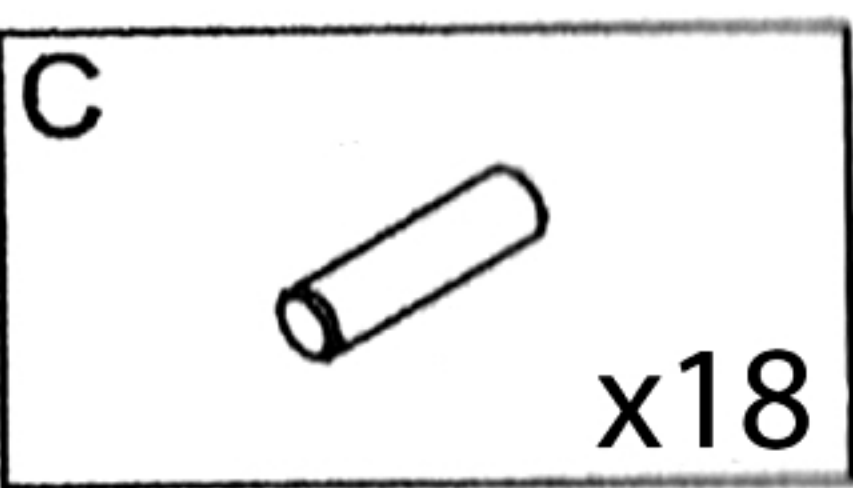
1

D L=400mm x6
E 6x8mm x24

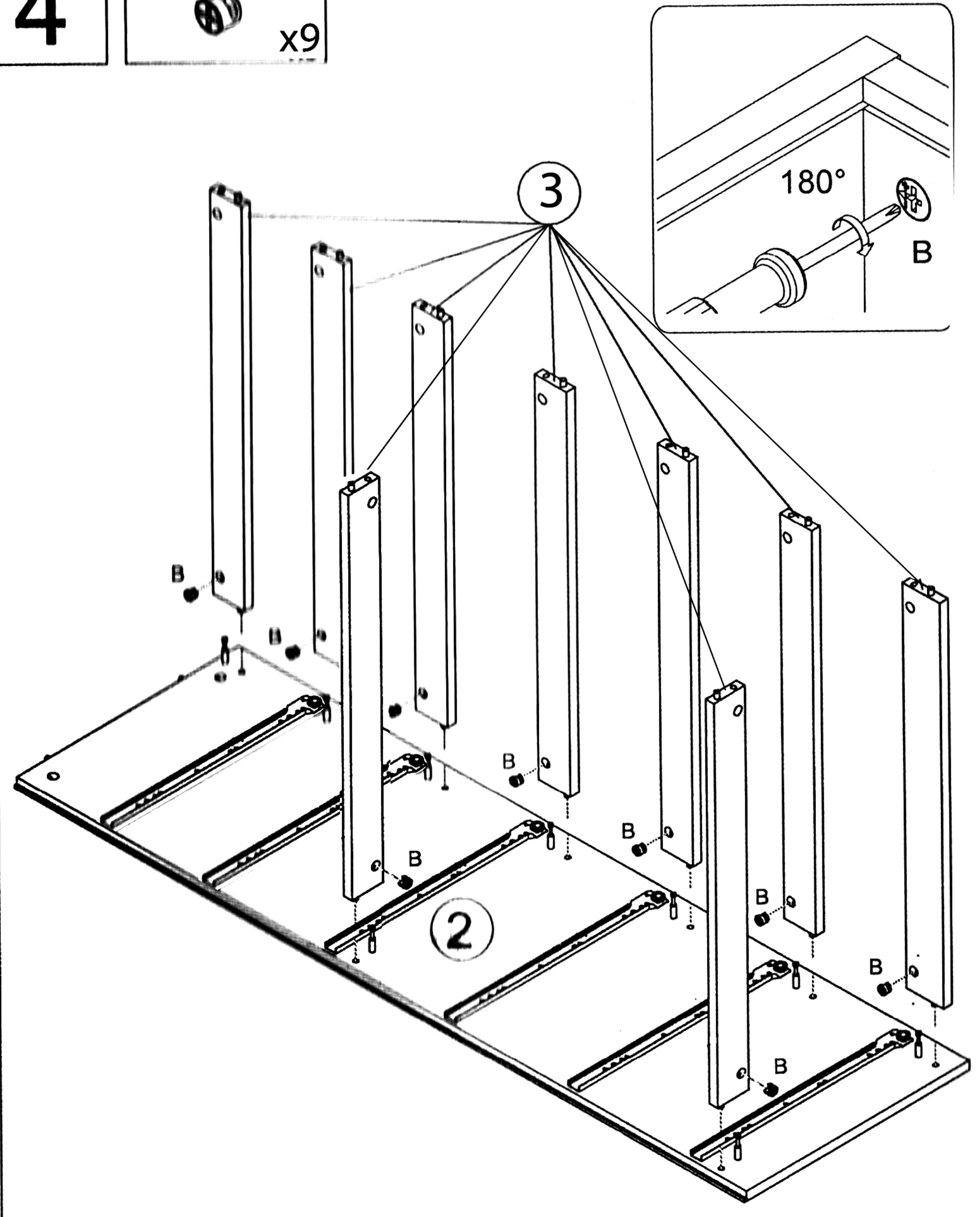
2

A L=45mm x18
C 8x35mm x4

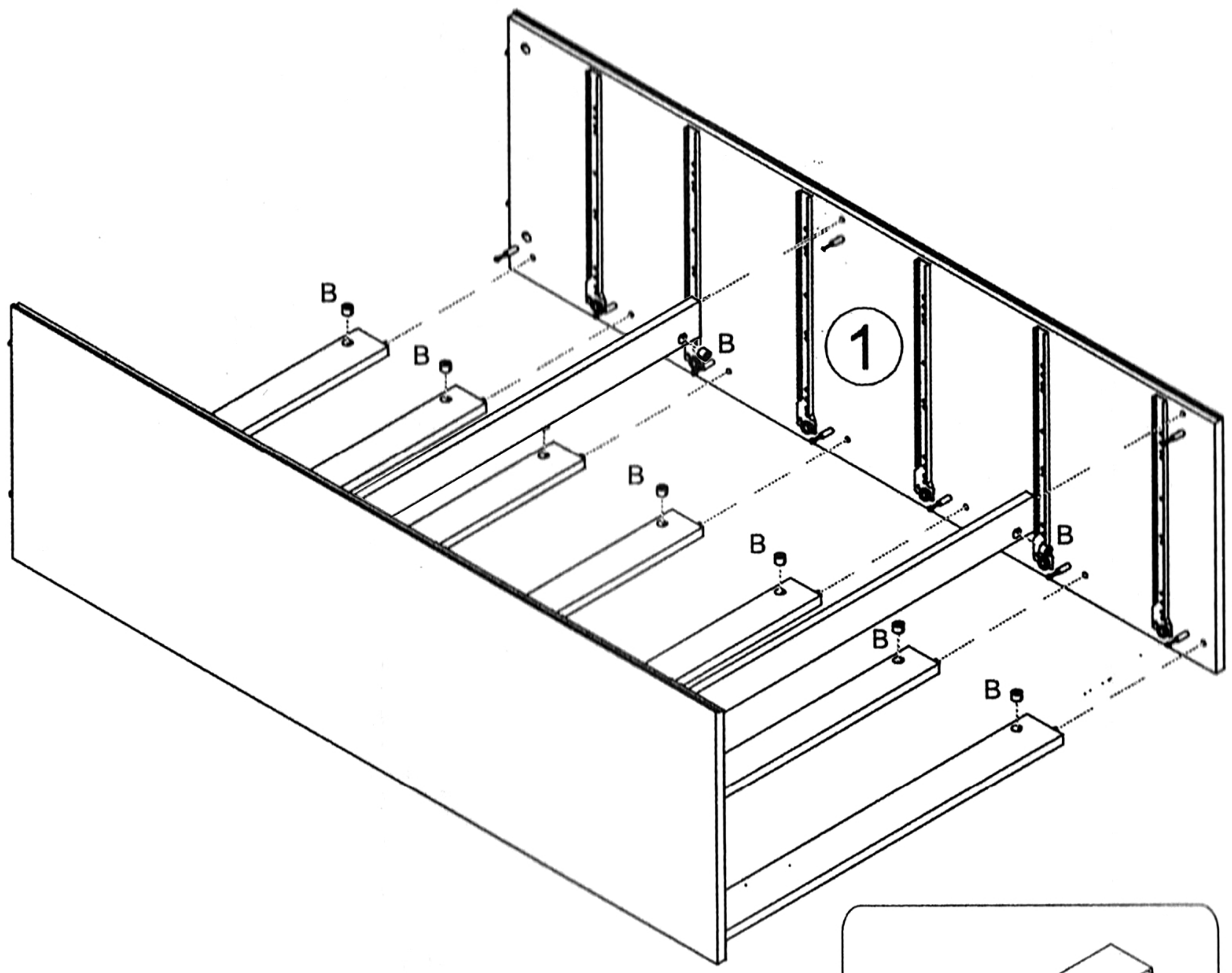
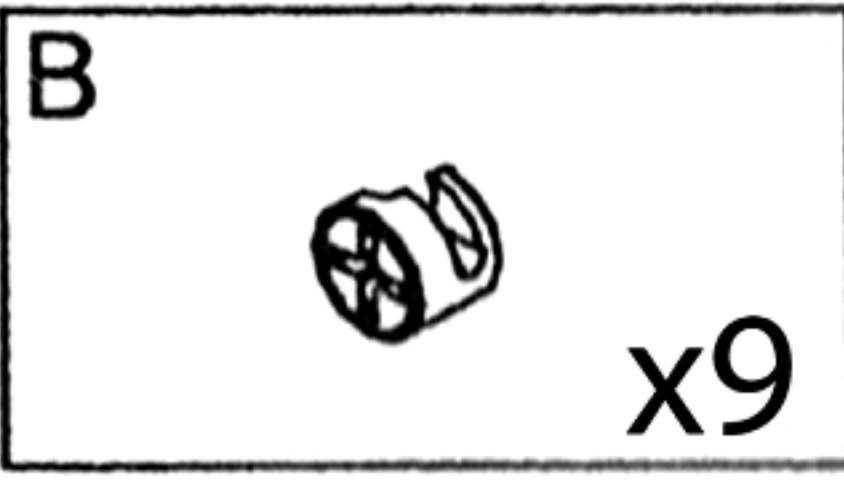
3



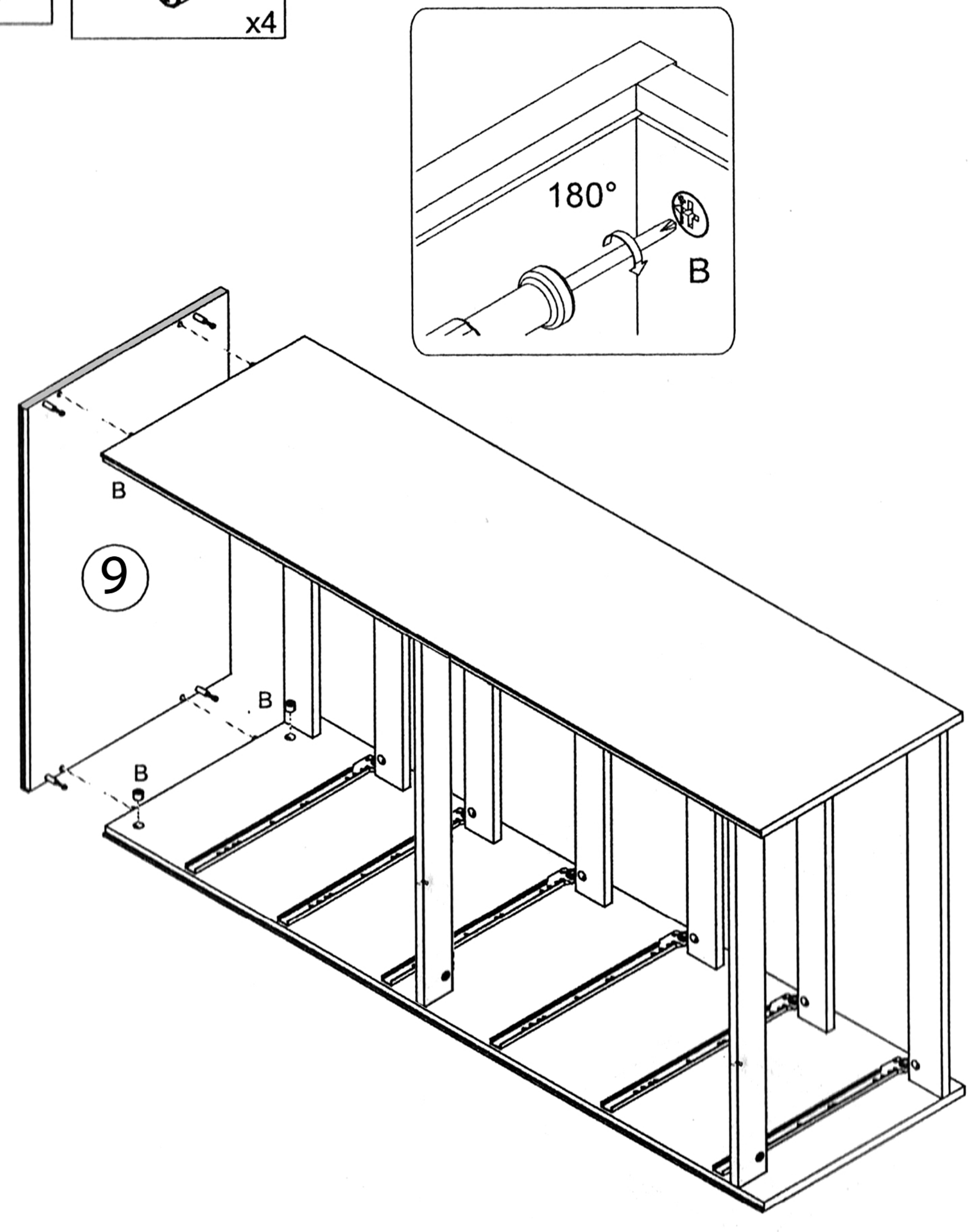
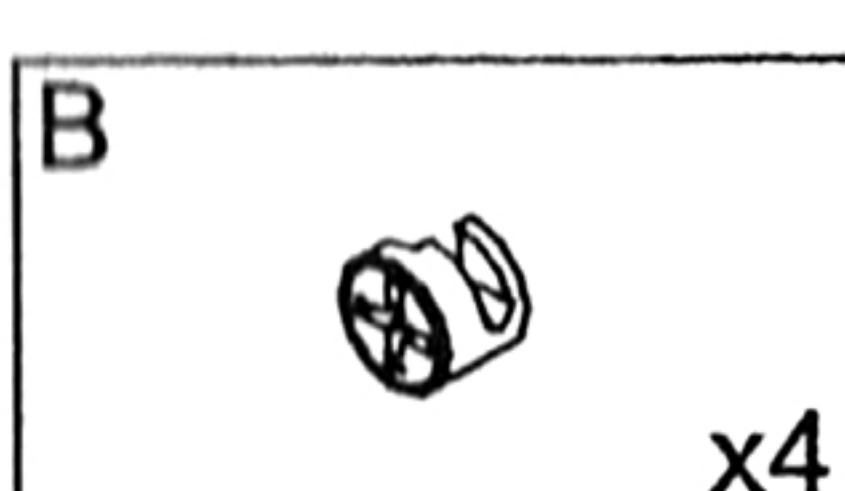
4



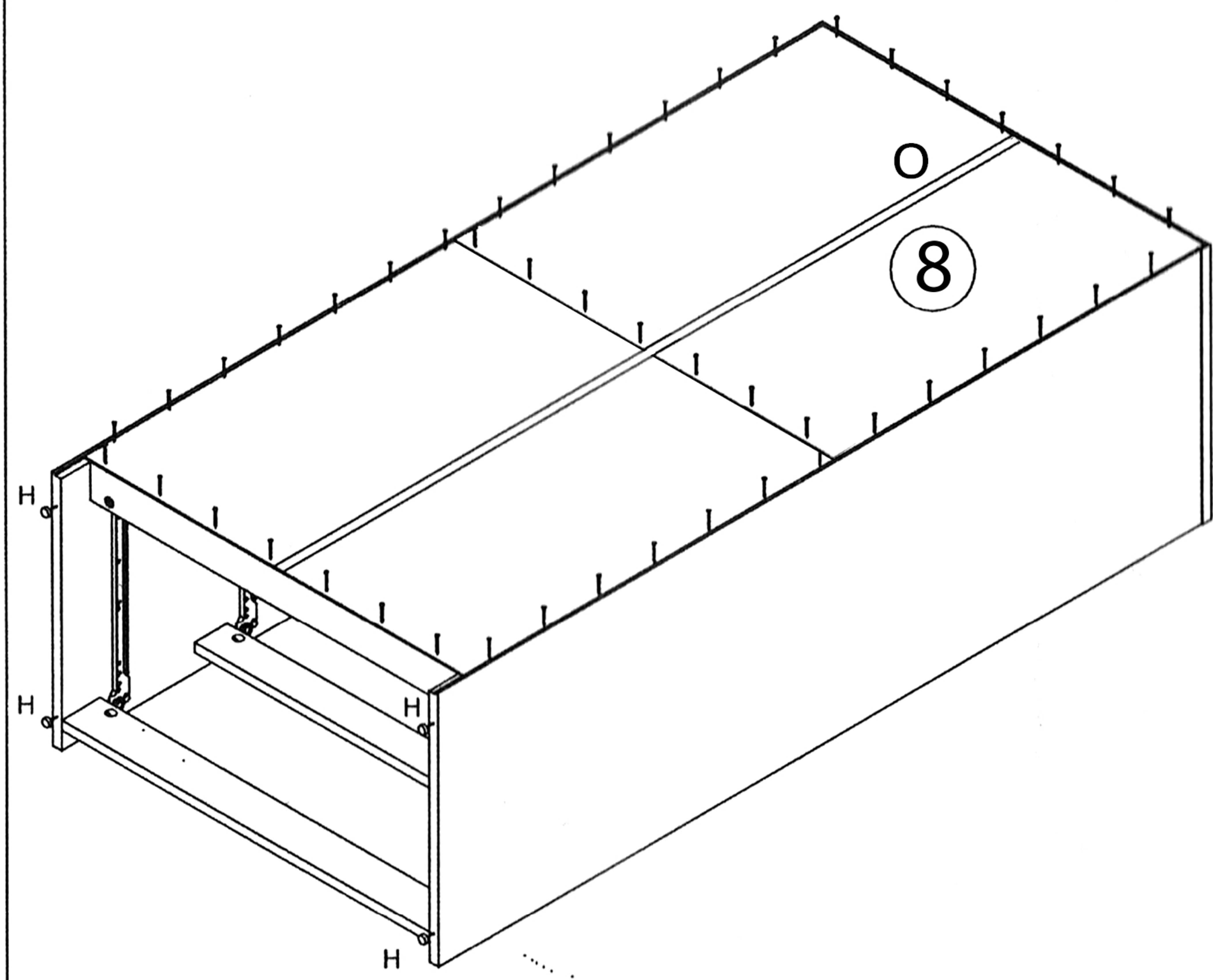
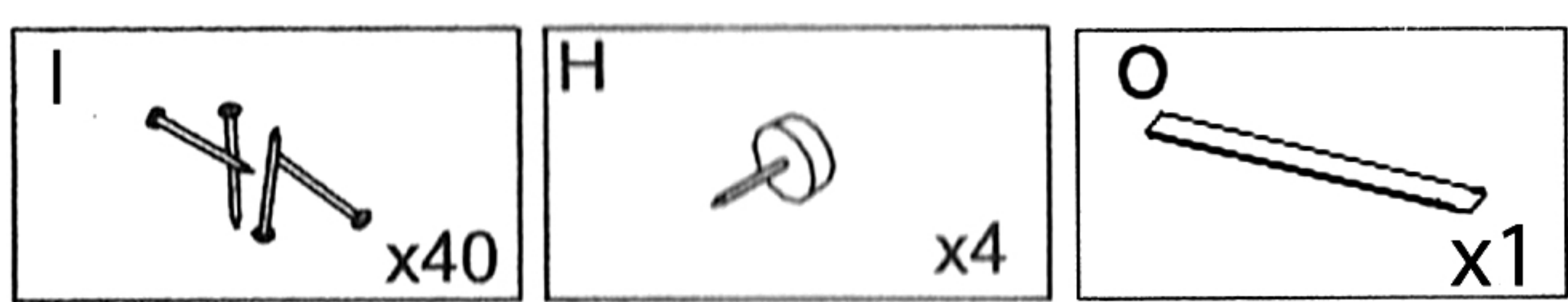
5



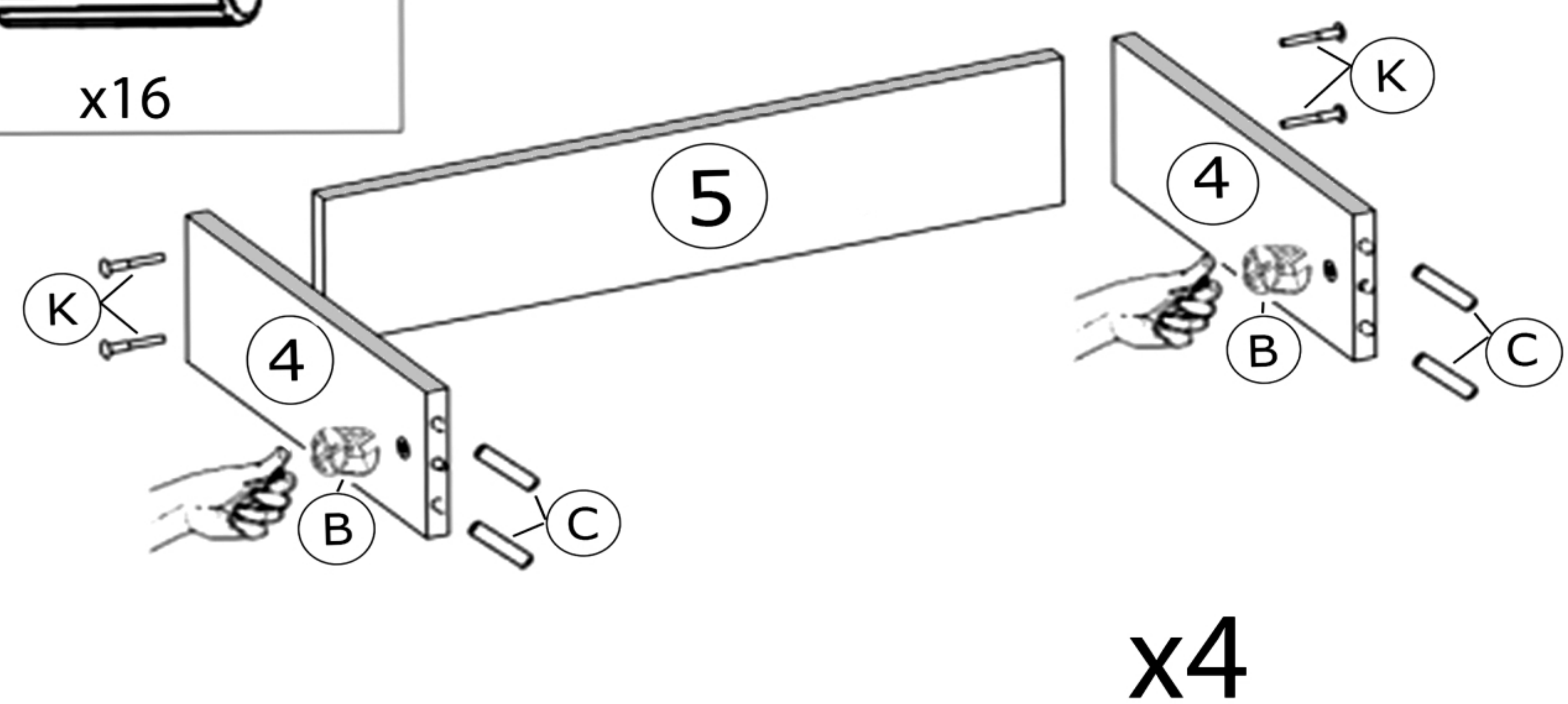
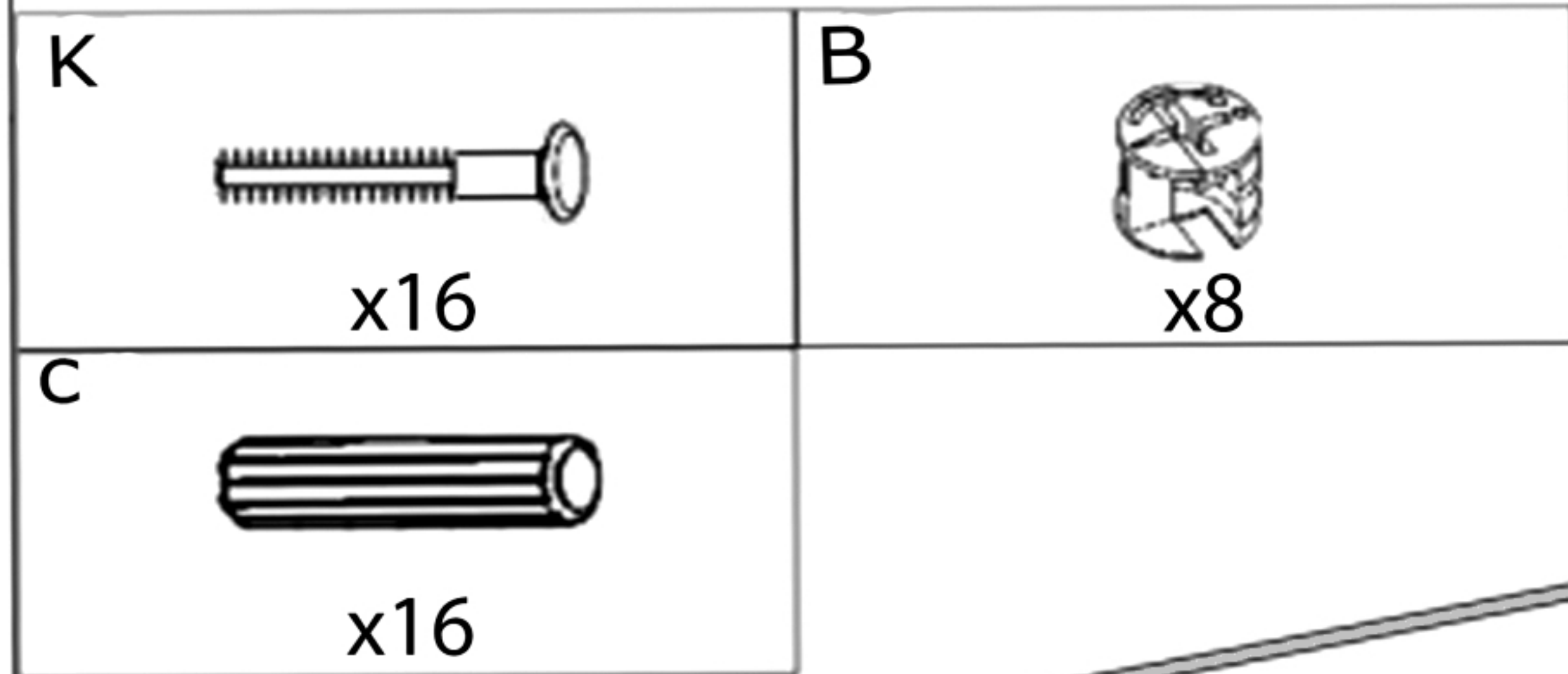
6



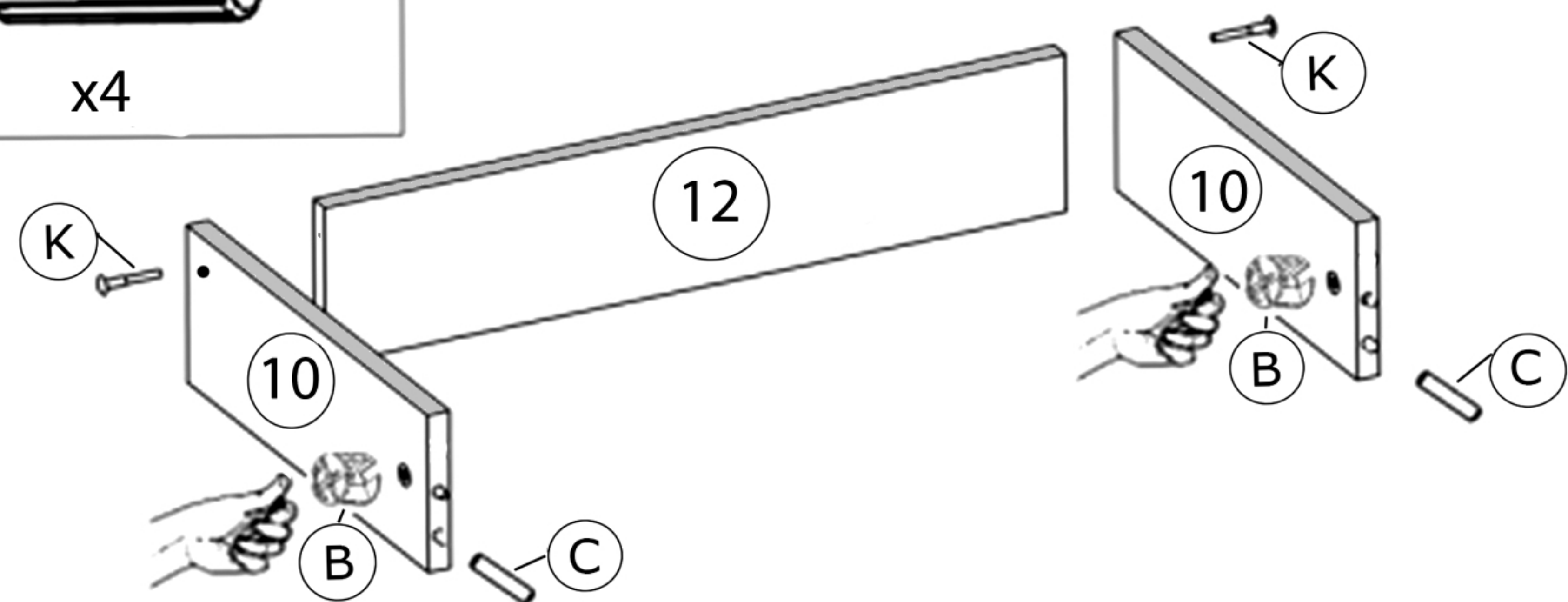
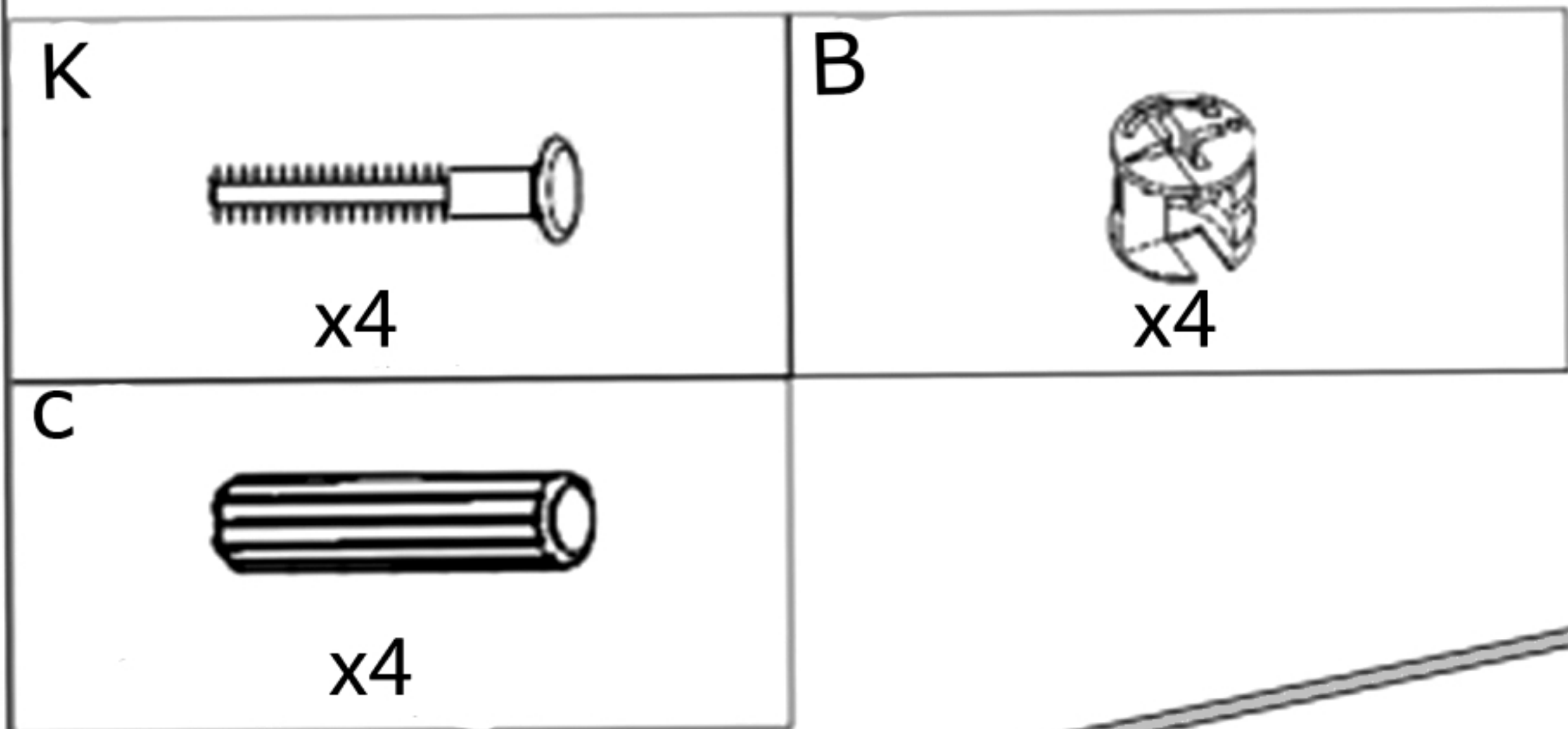
7



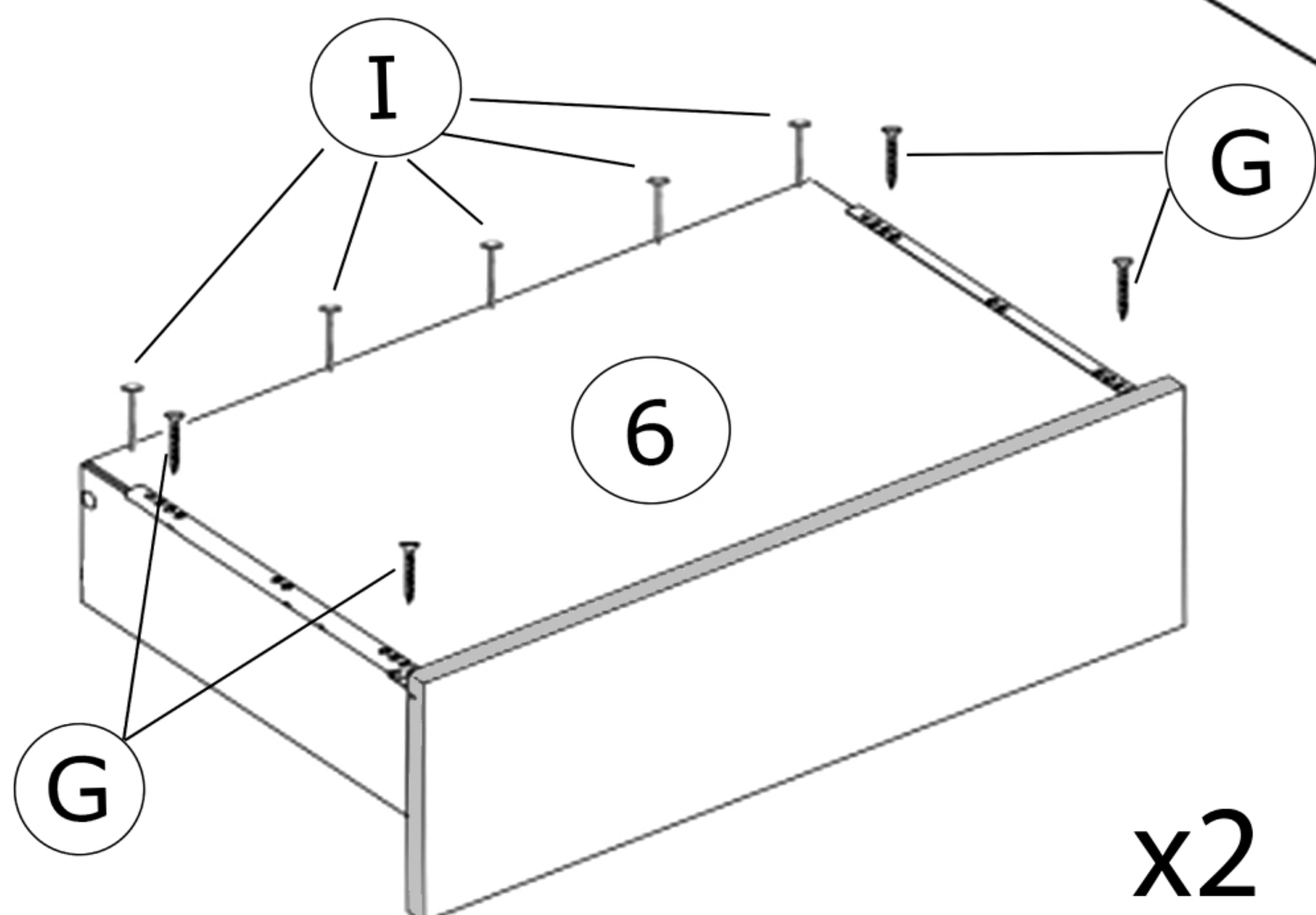
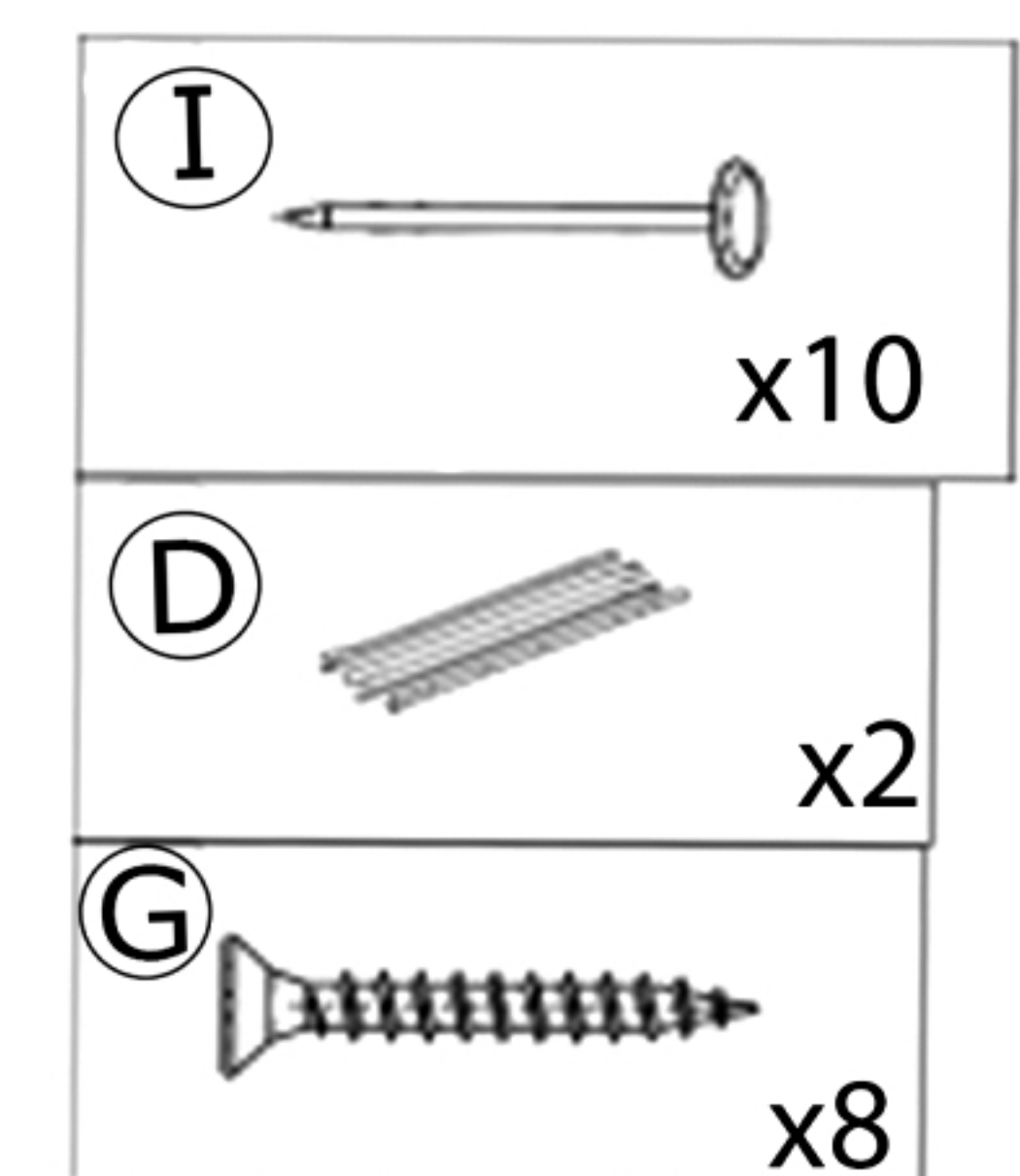
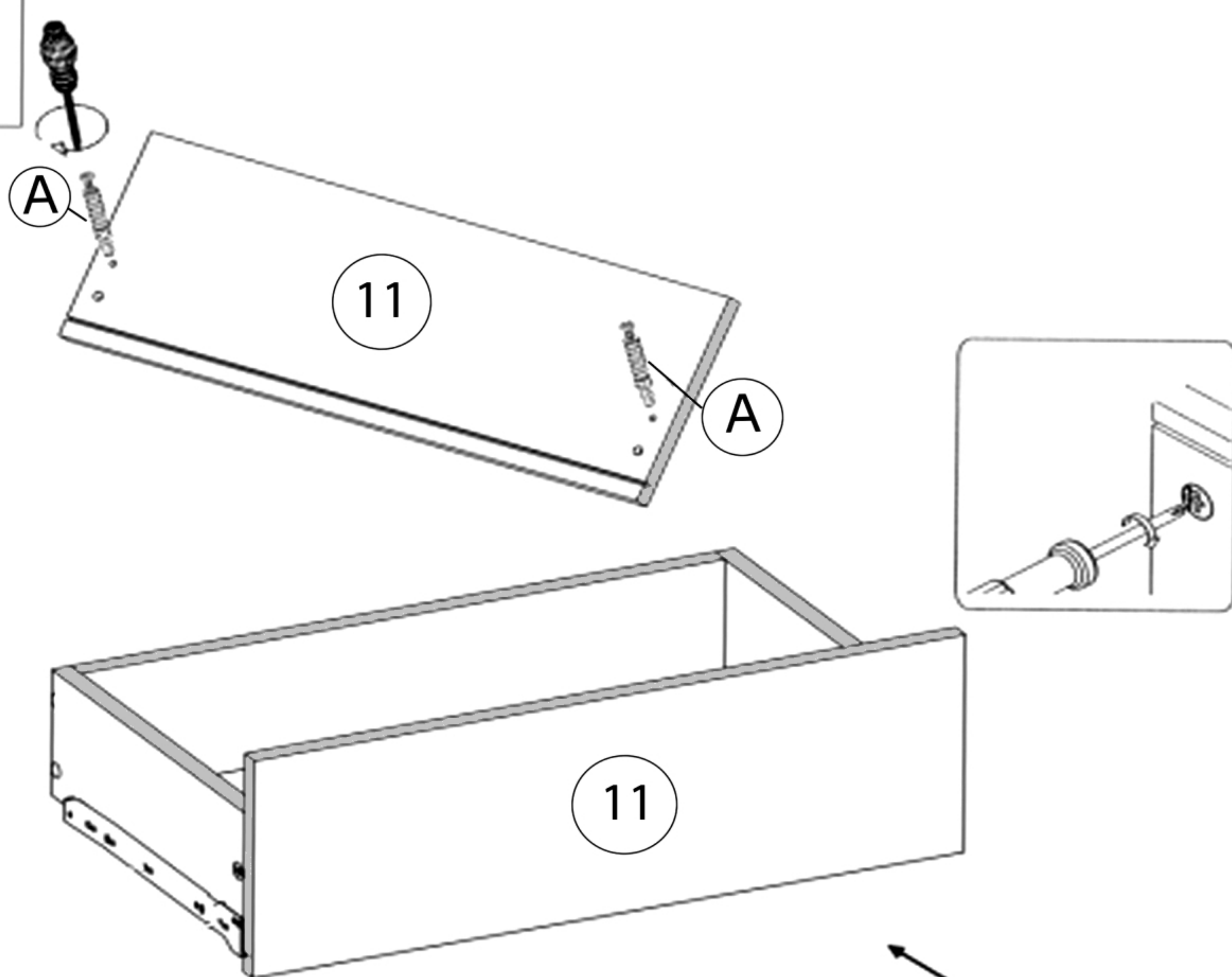
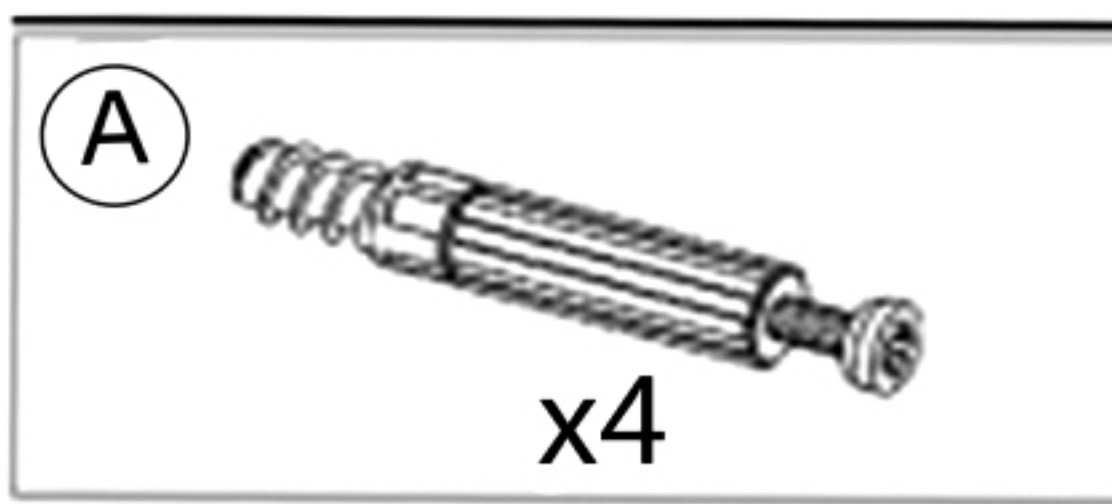
8



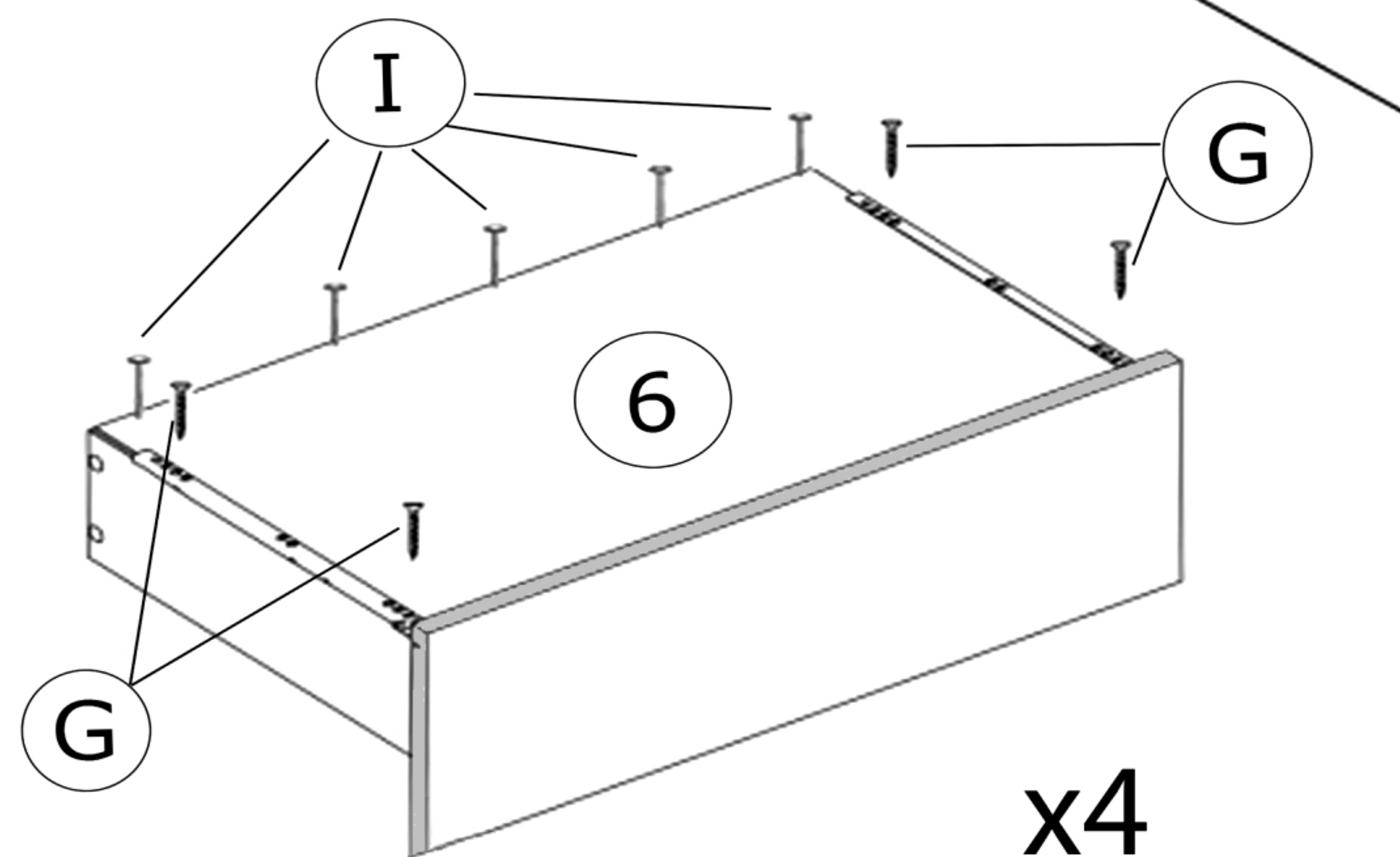
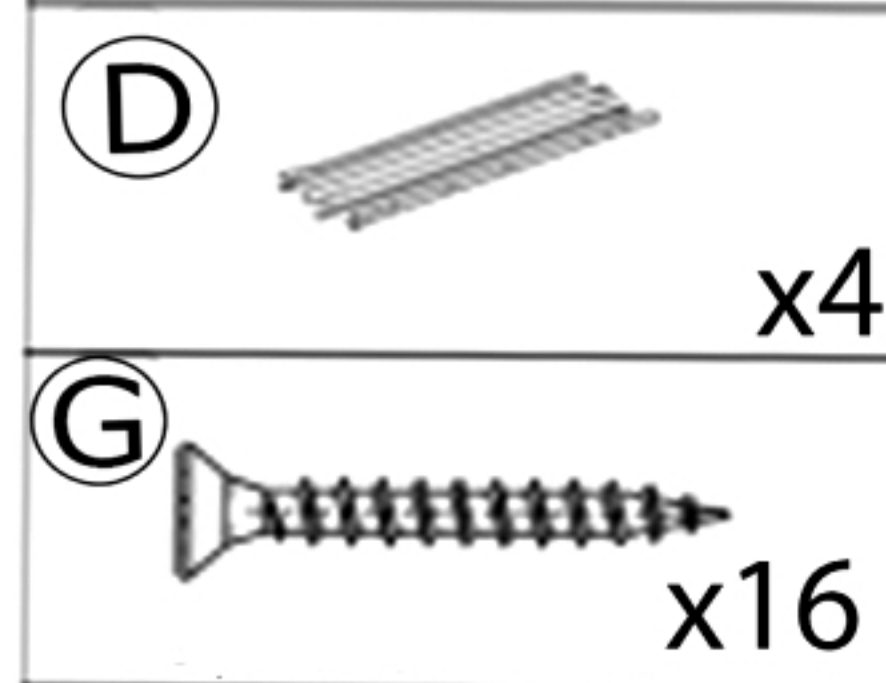
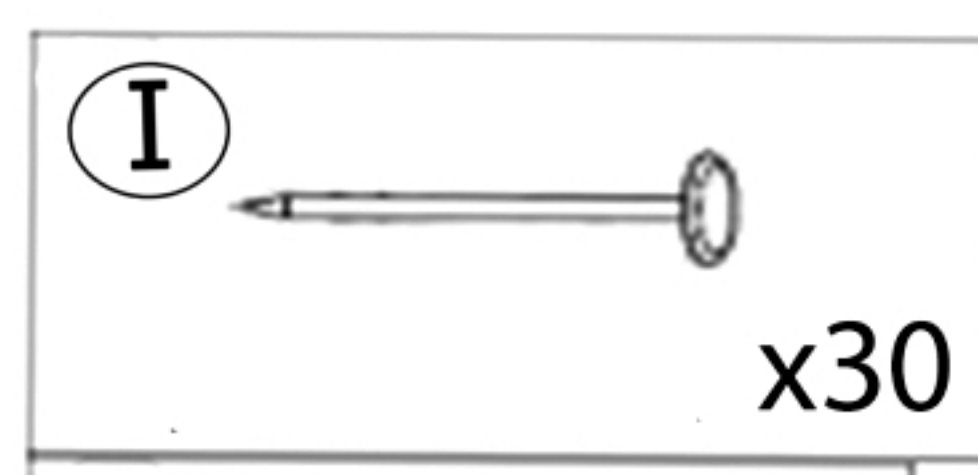
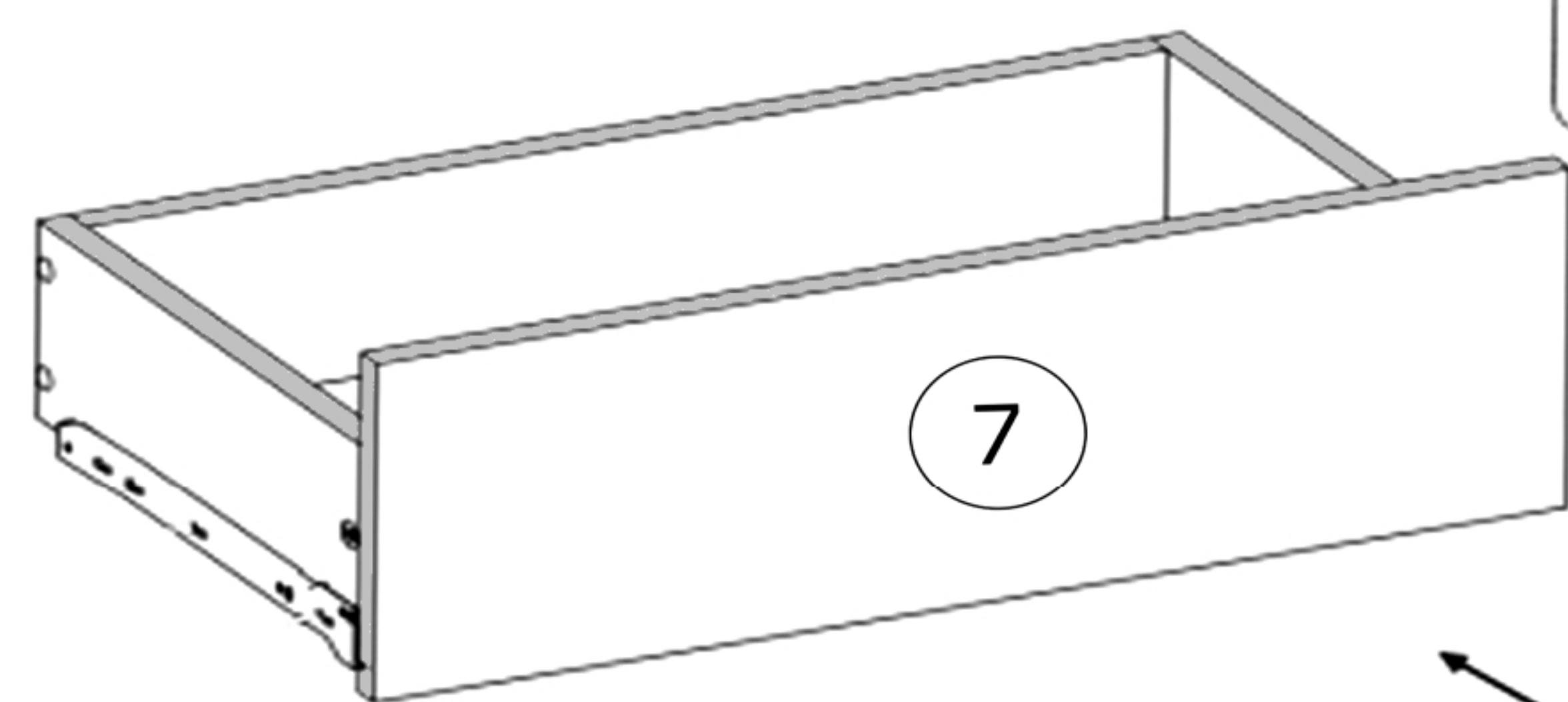
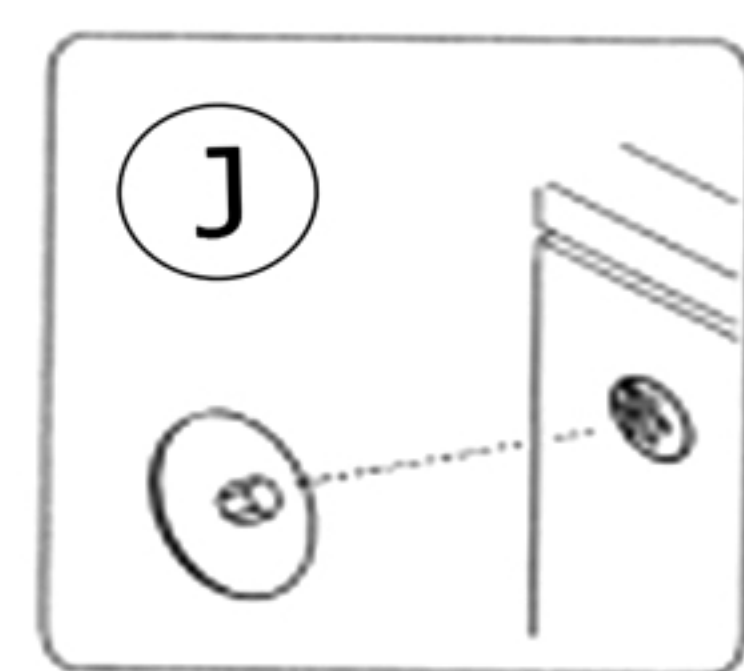
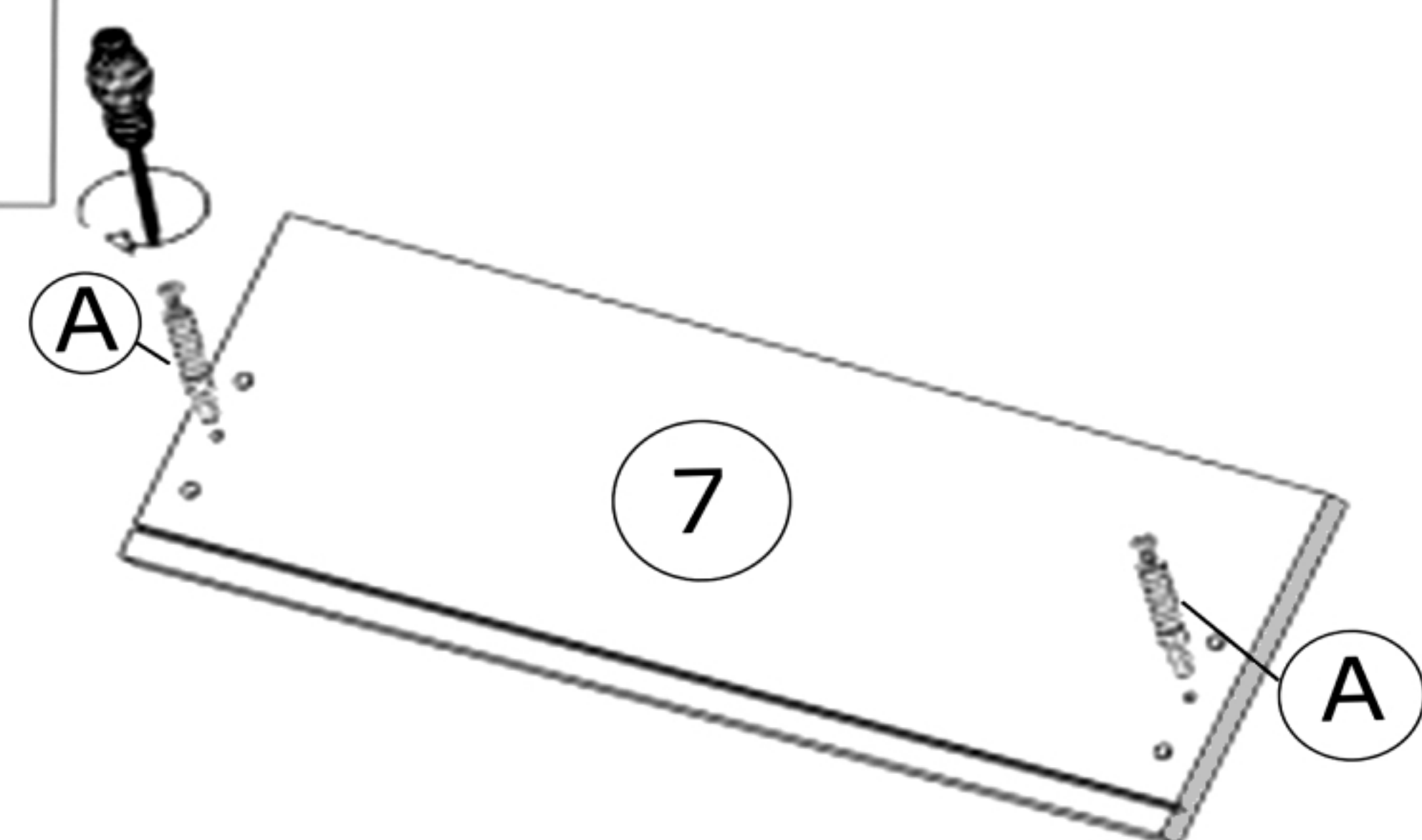
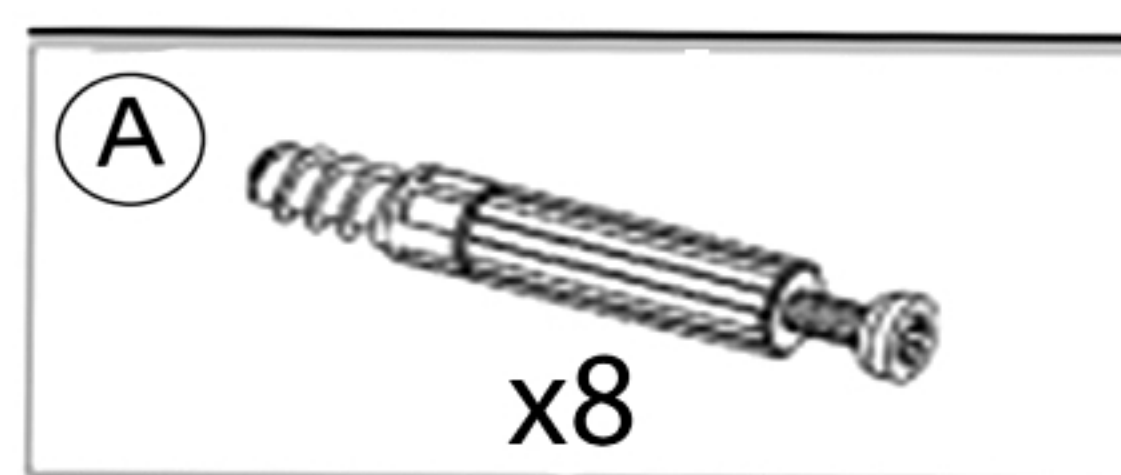
9



x2



x2



x4

