





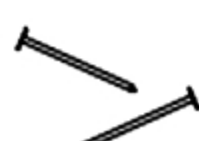



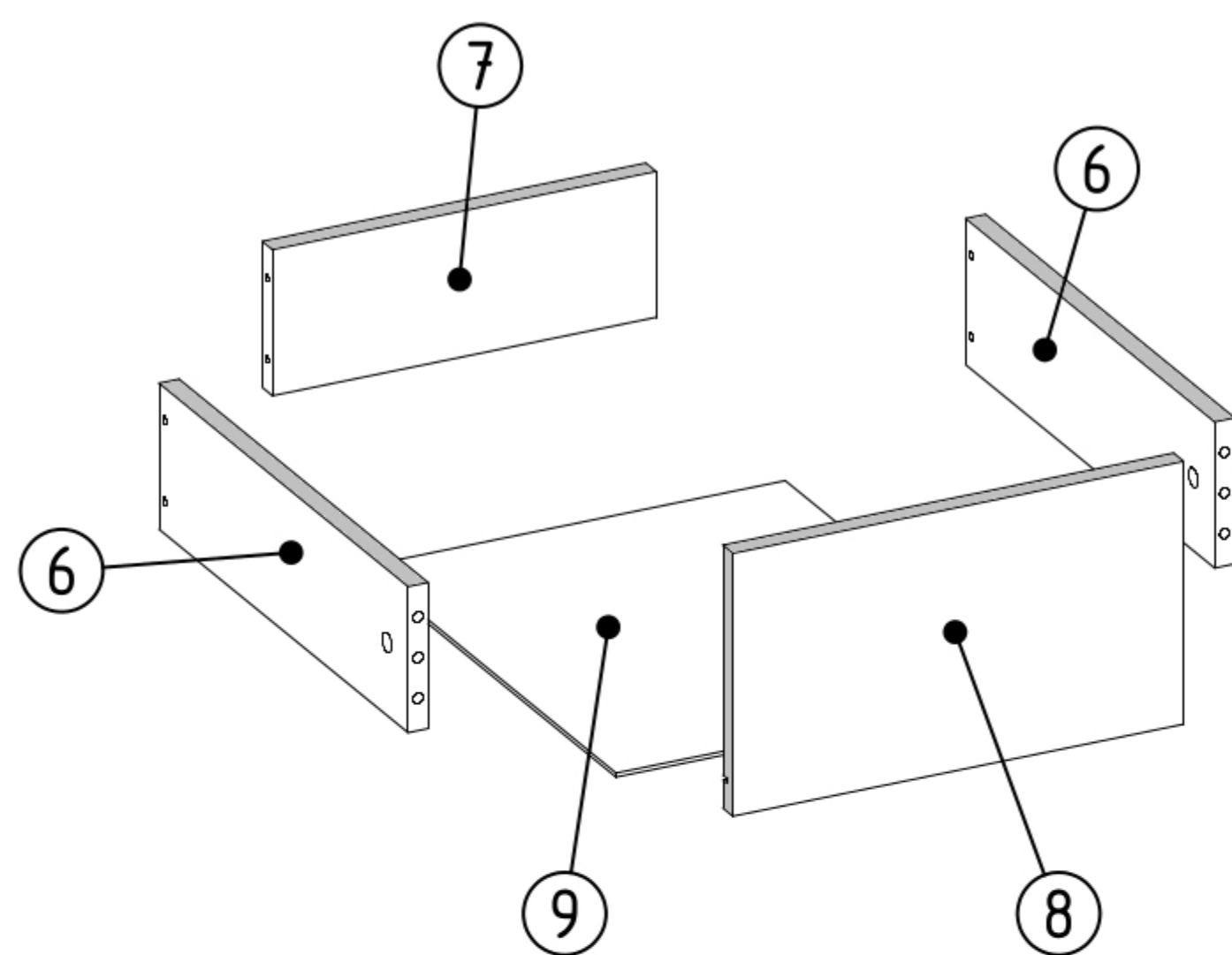
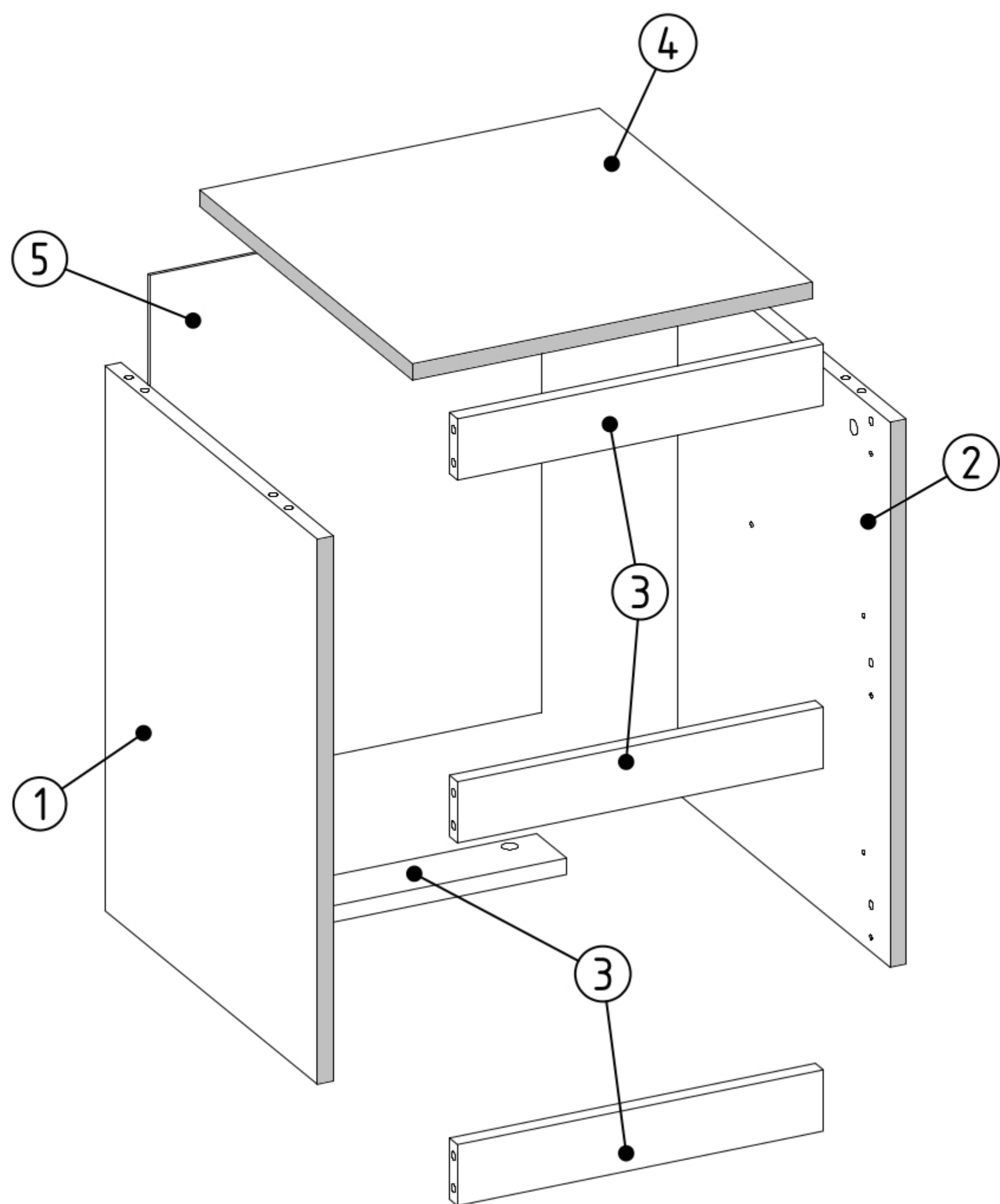




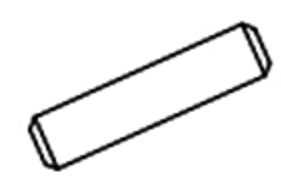



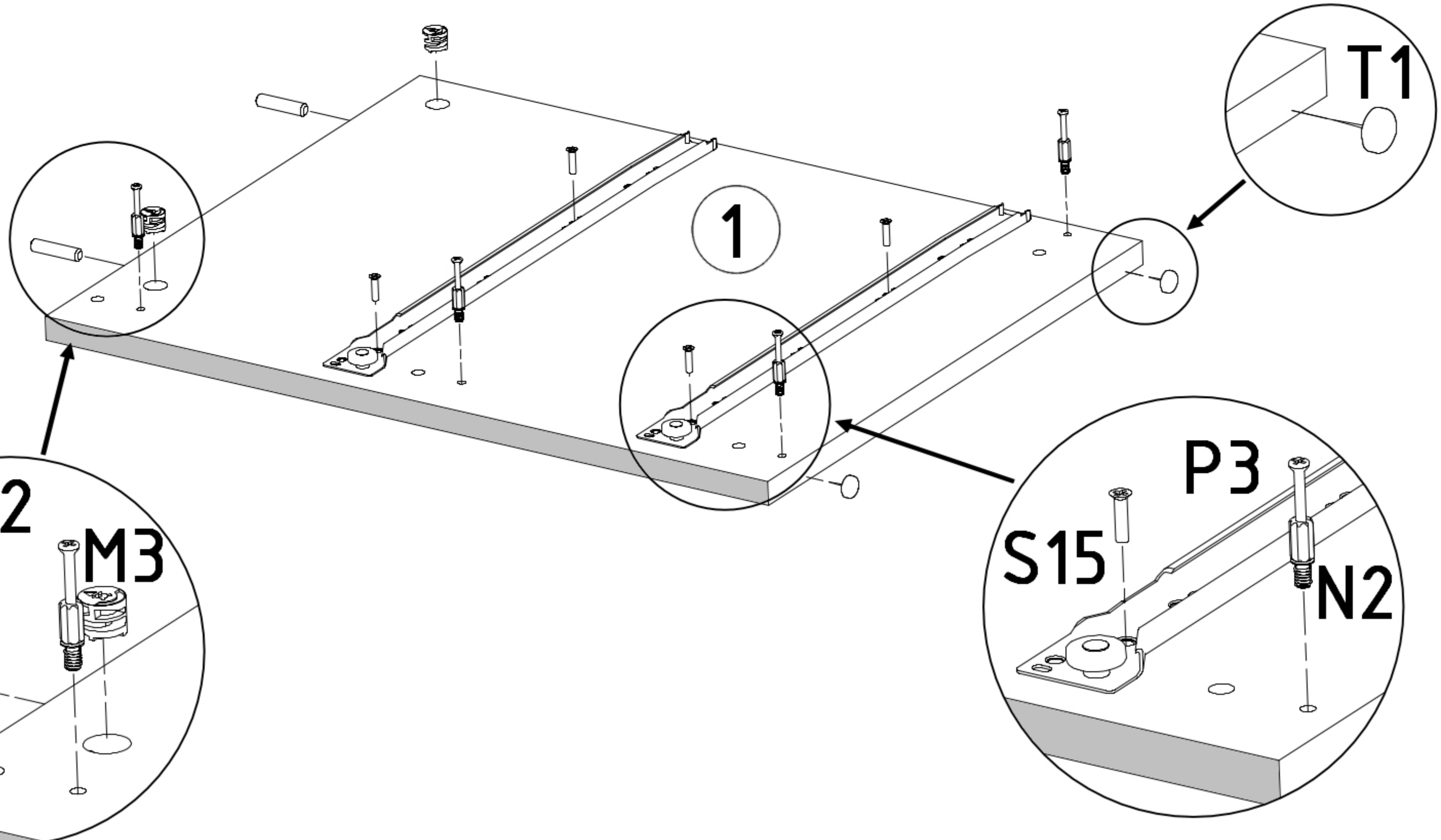
<p>N2</p>  <p>L=45 mm x 16</p>	<p>M3</p>  <p>12x15 mm x 16</p>	<p>E4</p>  <p>L=43 mm x 8</p>	<p>S1</p>  <p>3,5x16 mm x 8</p>	<p>E1</p>  <p>8x35 mm x 20</p>
<p>T1</p>  <p>x 4</p>	<p>Z2</p>  <p>x 40</p>	<p>P3</p>  <p>L=400 mm x 2</p>	<p>S15</p>  <p>6x9 mm x 8</p>	<p>M2</p>  <p>ø17 mm x 4</p>





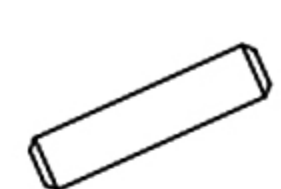



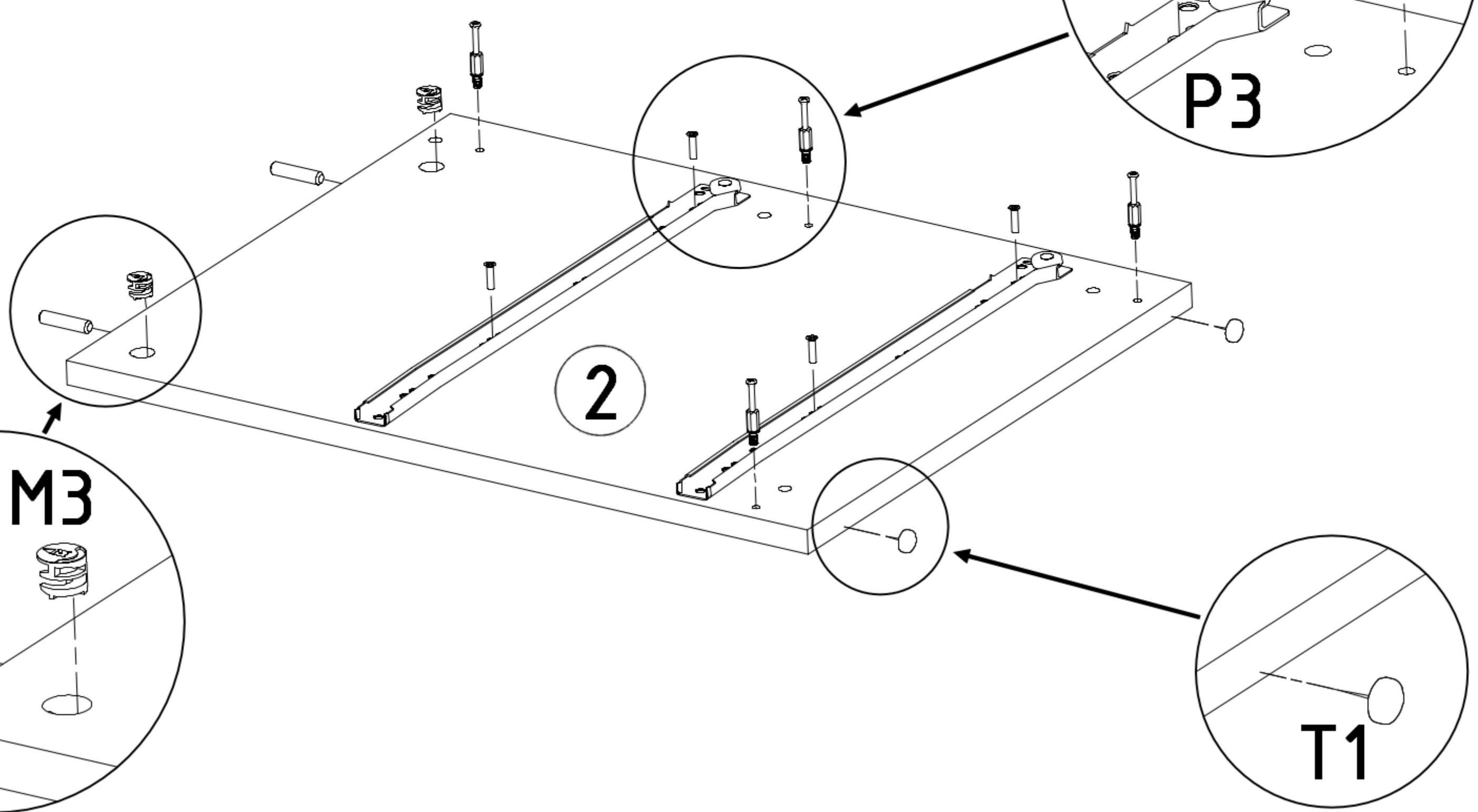
1	x	1
2	x	1
3	x	4
4	x	1


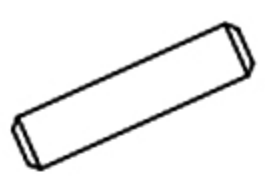
5	x	1
6	x	4
7	x	2
8	x	2
9	x	2

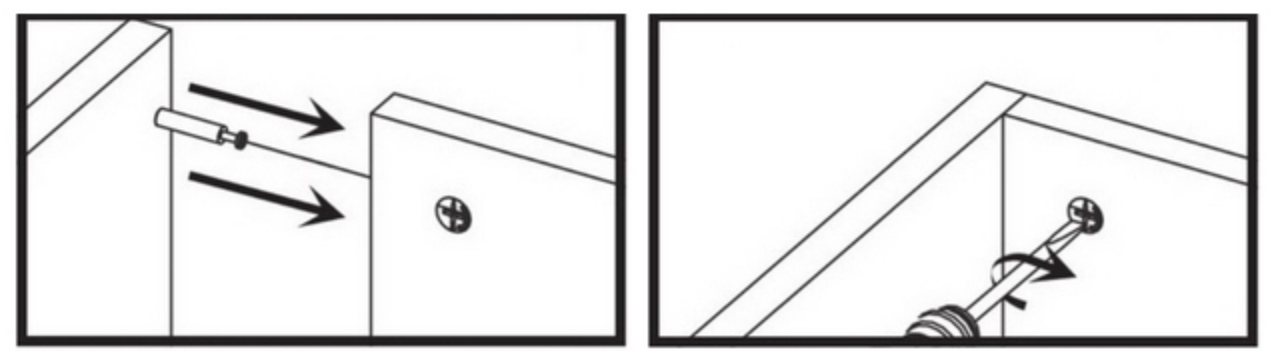
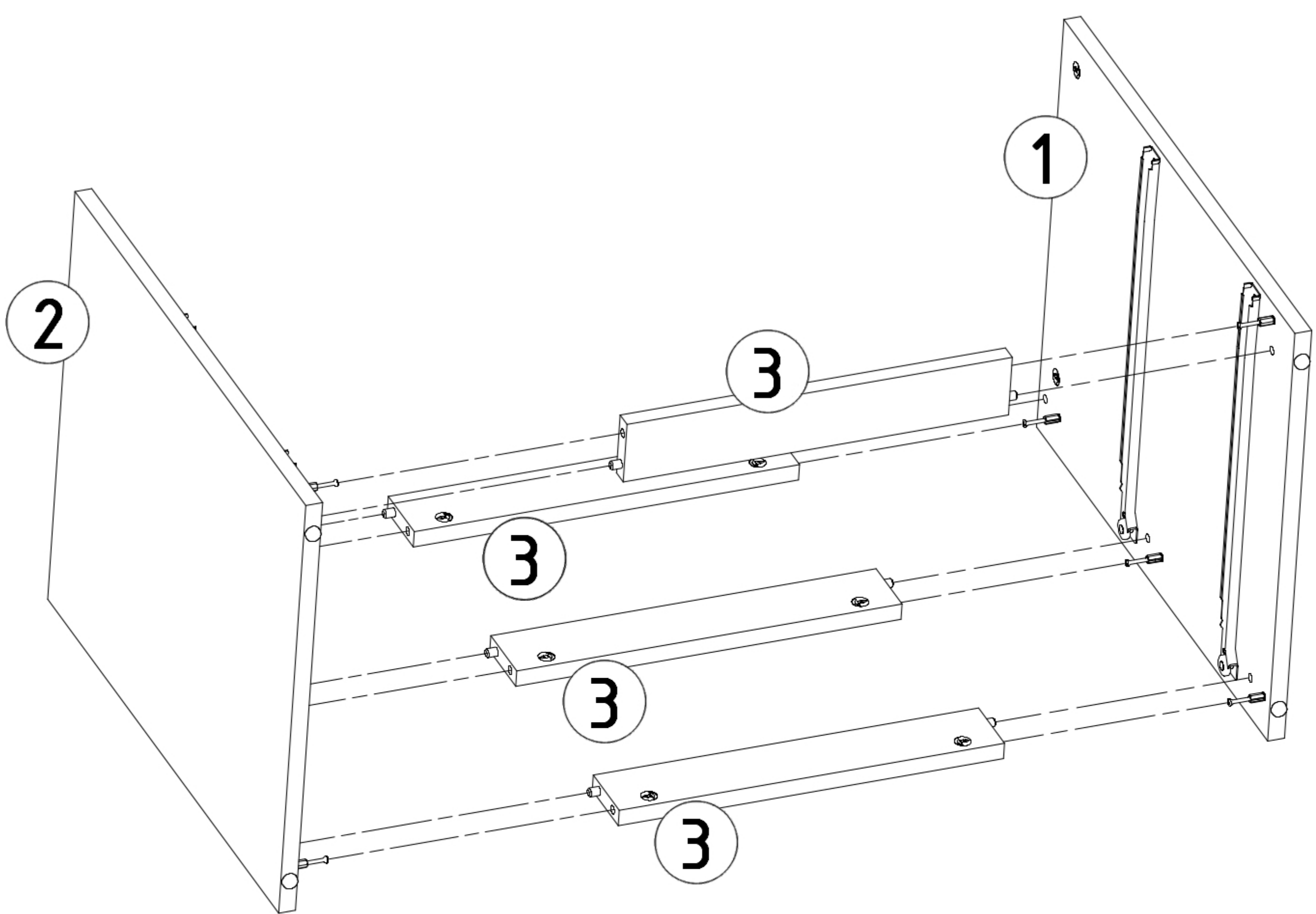
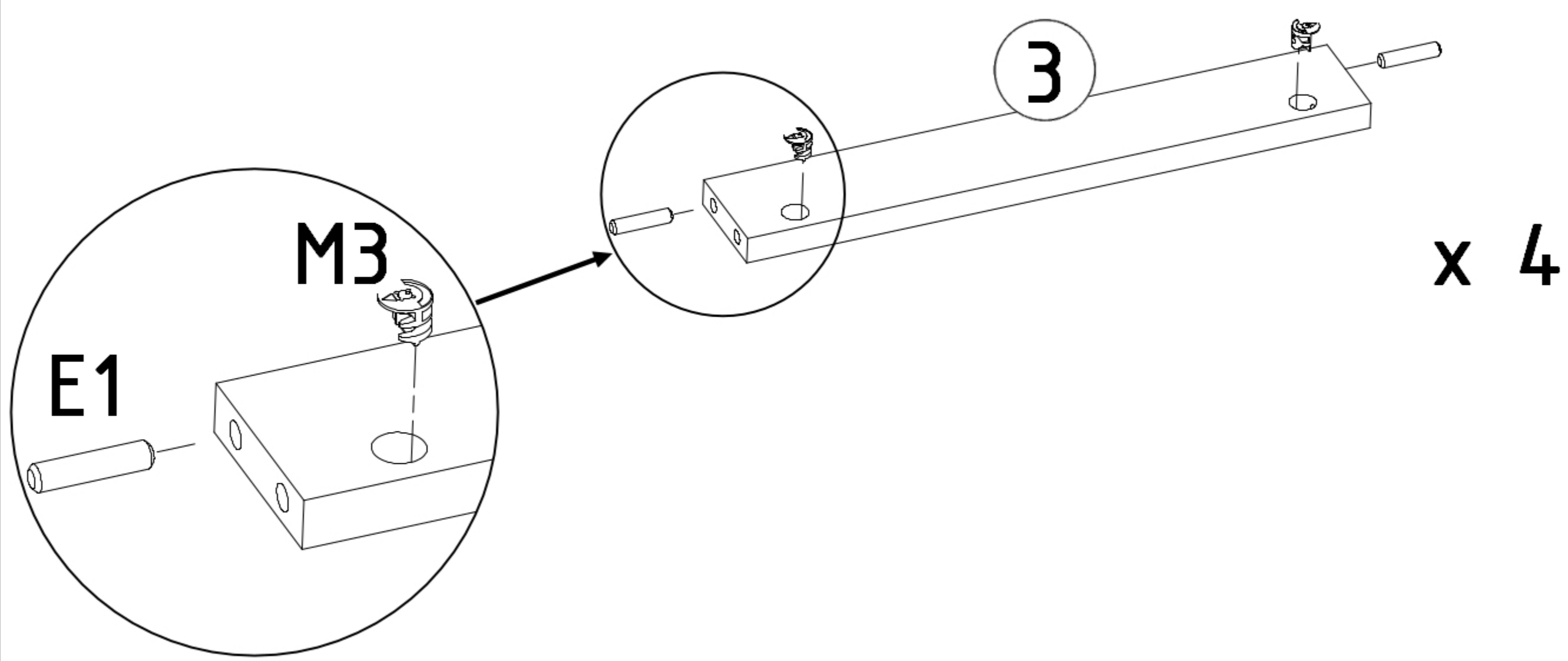
N2  x 4	M3  x 2	P3  x 2	S15  x 4	E1  x 2	T1  x 2
------------------------------------------------------------------------------------------------------	-------------------------------------------------------------------------------------------------------	-------------------------------------------------------------------------------------------------------	--------------------------------------------------------------------------------------------------------	---------------------------------------------------------------------------------------------------------	---------------------------------------------------------------------------------------------------------

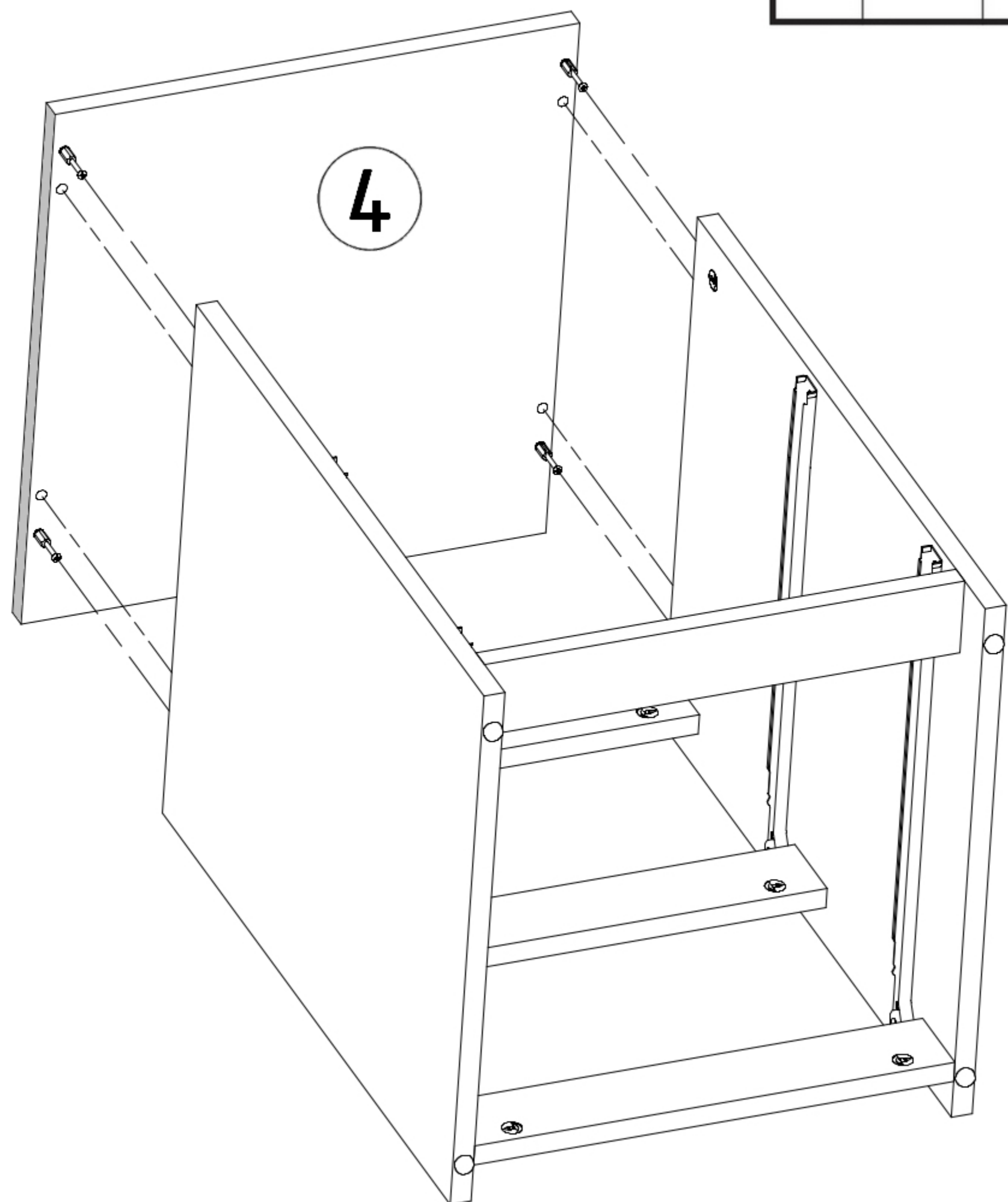
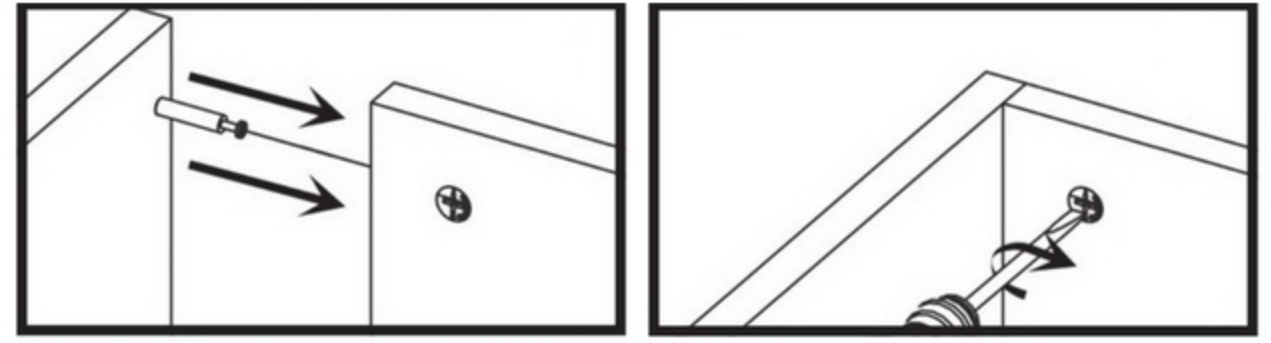
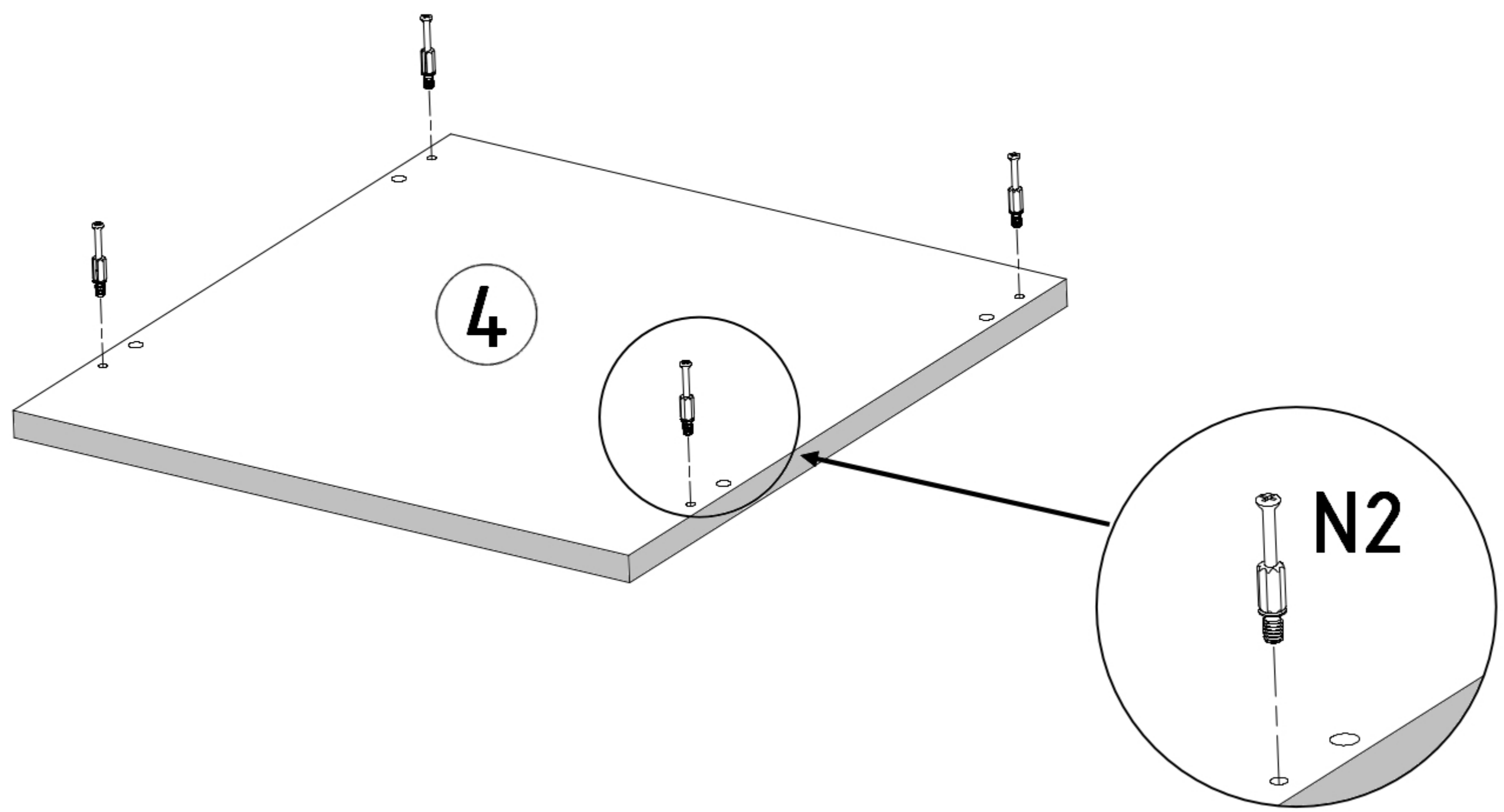


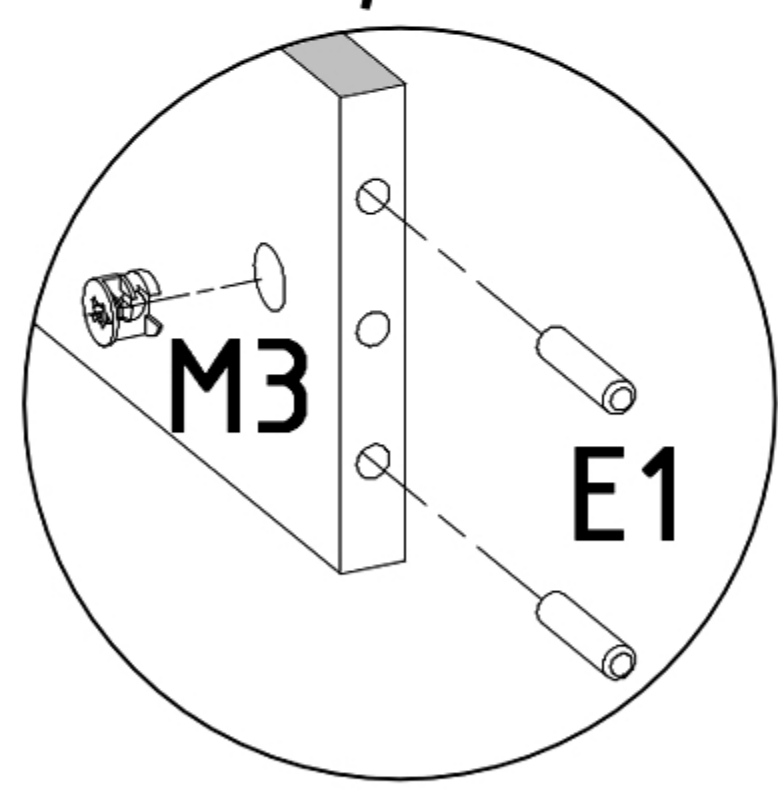
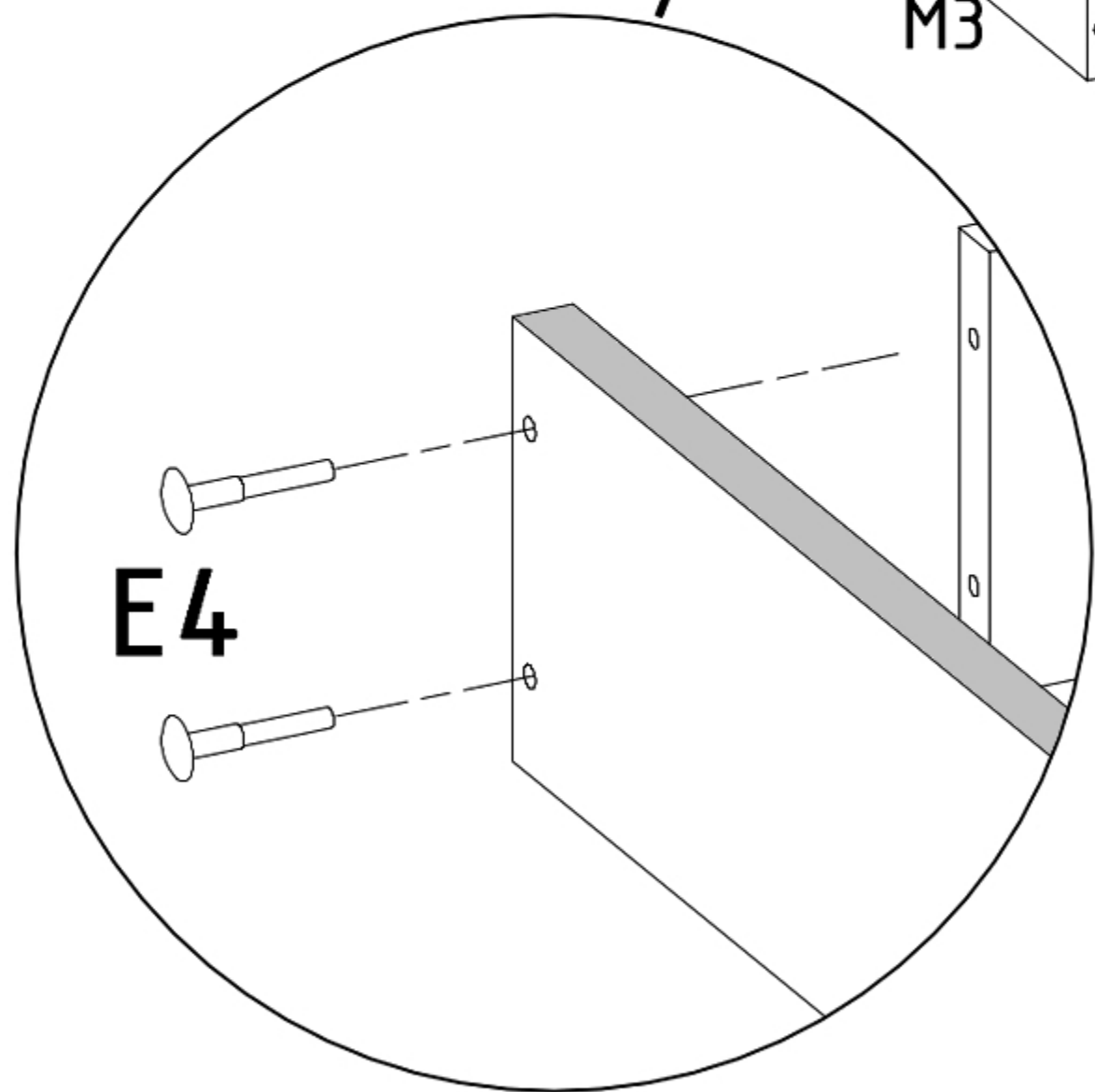
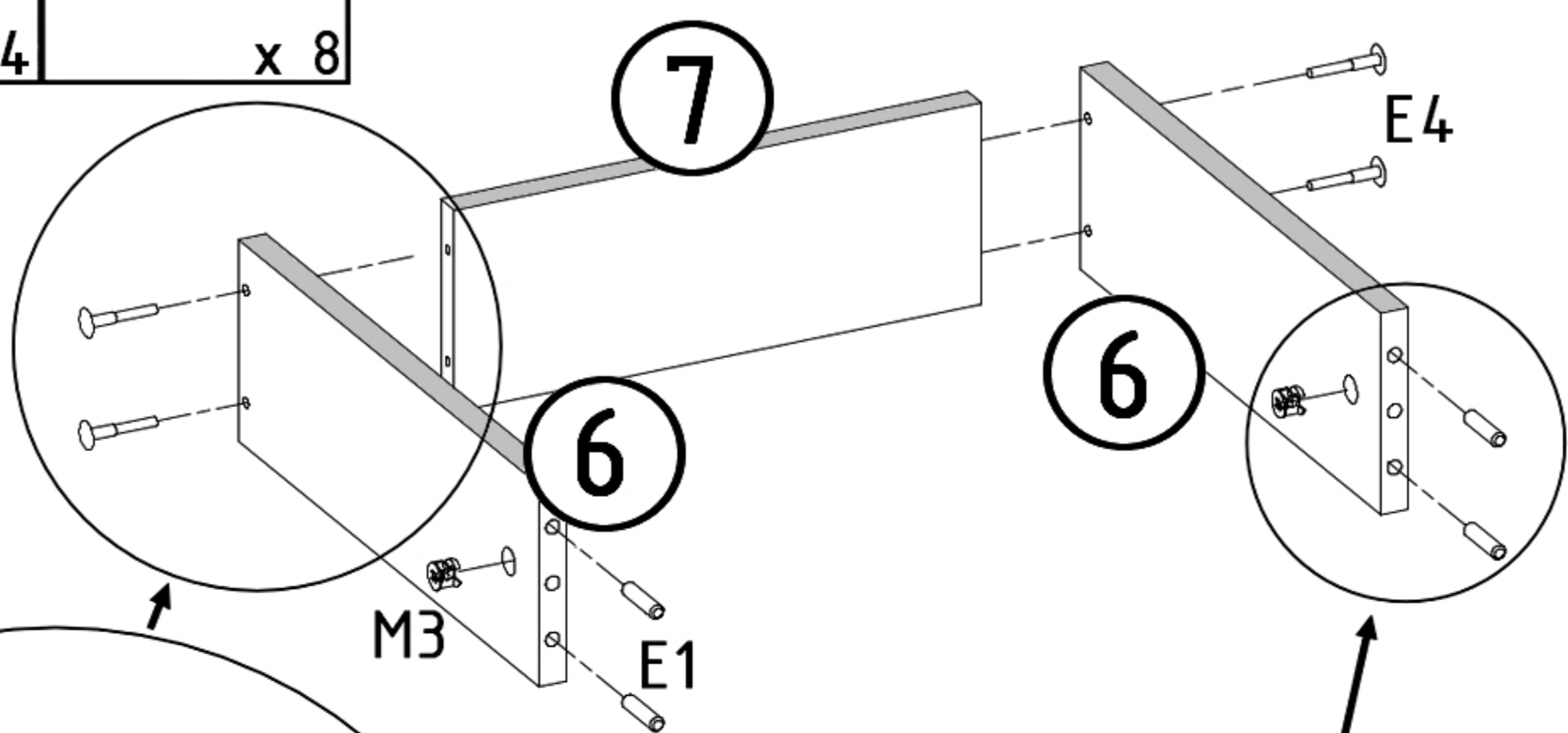
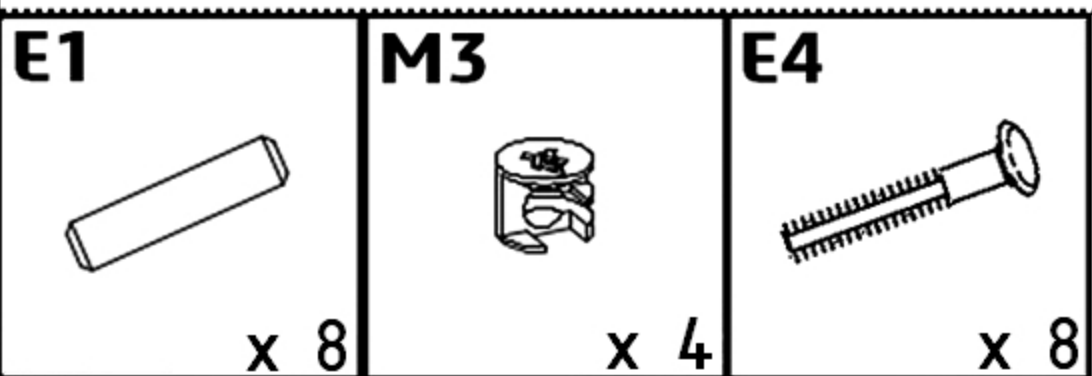
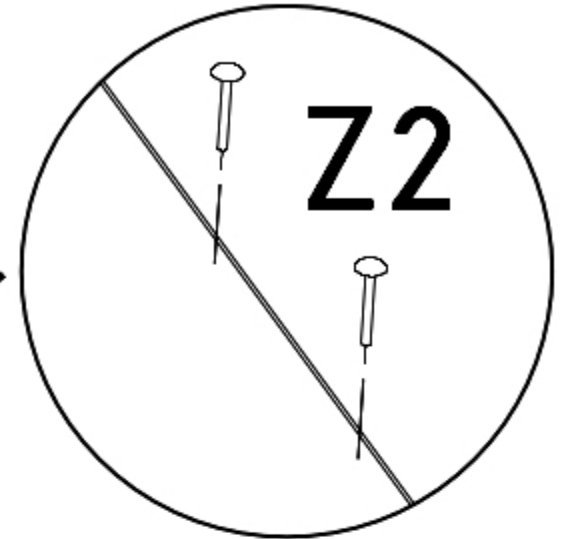
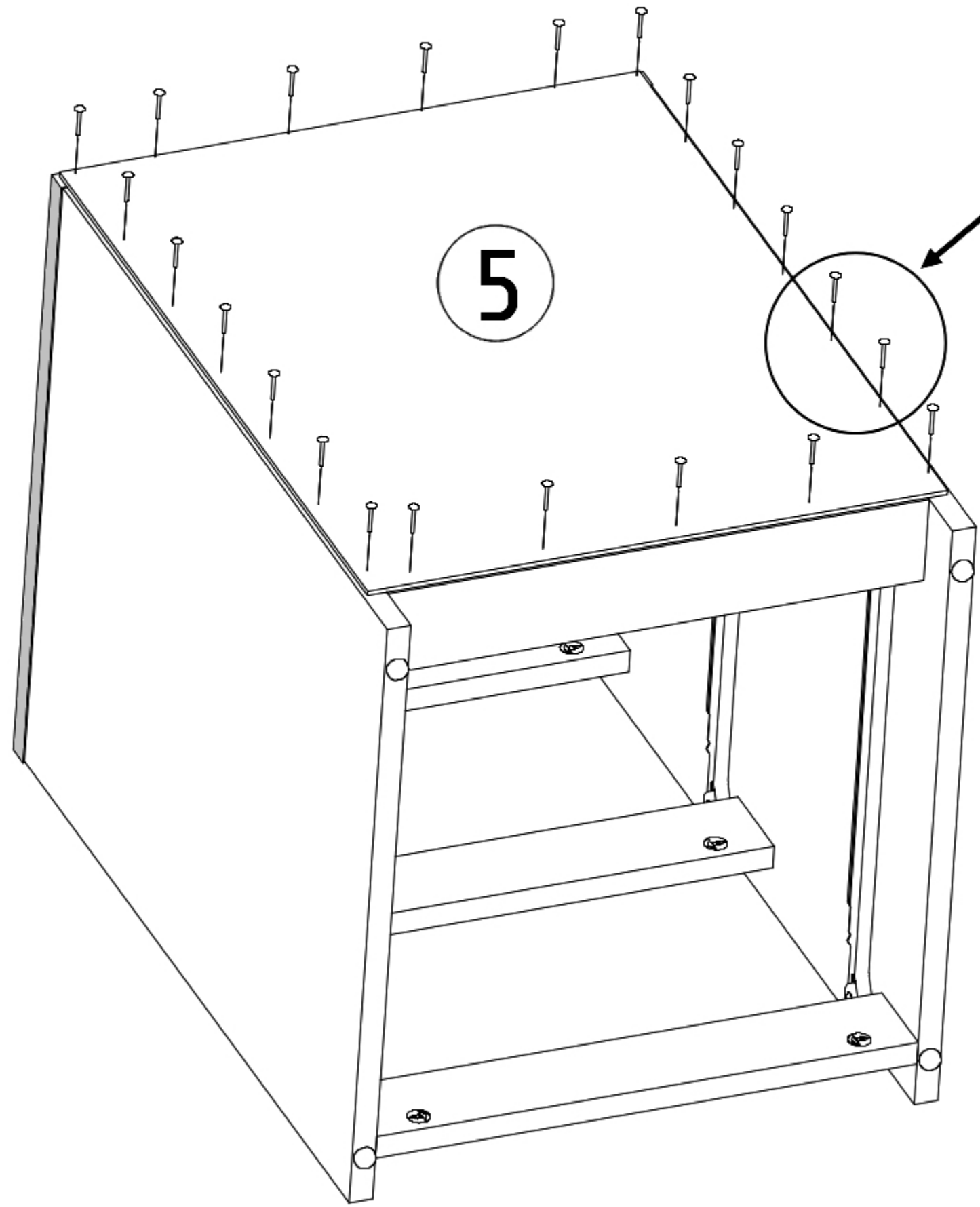
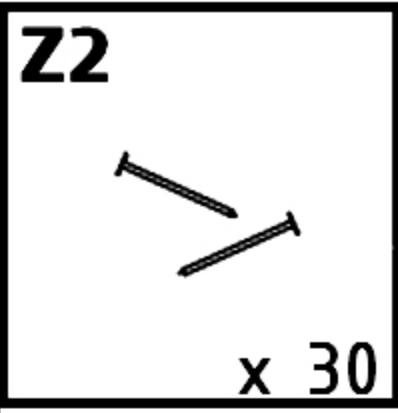
N2  x 4	M3  x 2	P3  x 2	S15  x 4	E1  x 2	T1  x 2
--------------------------------------------------------------------------------------------------------	---------------------------------------------------------------------------------------------------------	---------------------------------------------------------------------------------------------------------	----------------------------------------------------------------------------------------------------------	-----------------------------------------------------------------------------------------------------------	-----------------------------------------------------------------------------------------------------------



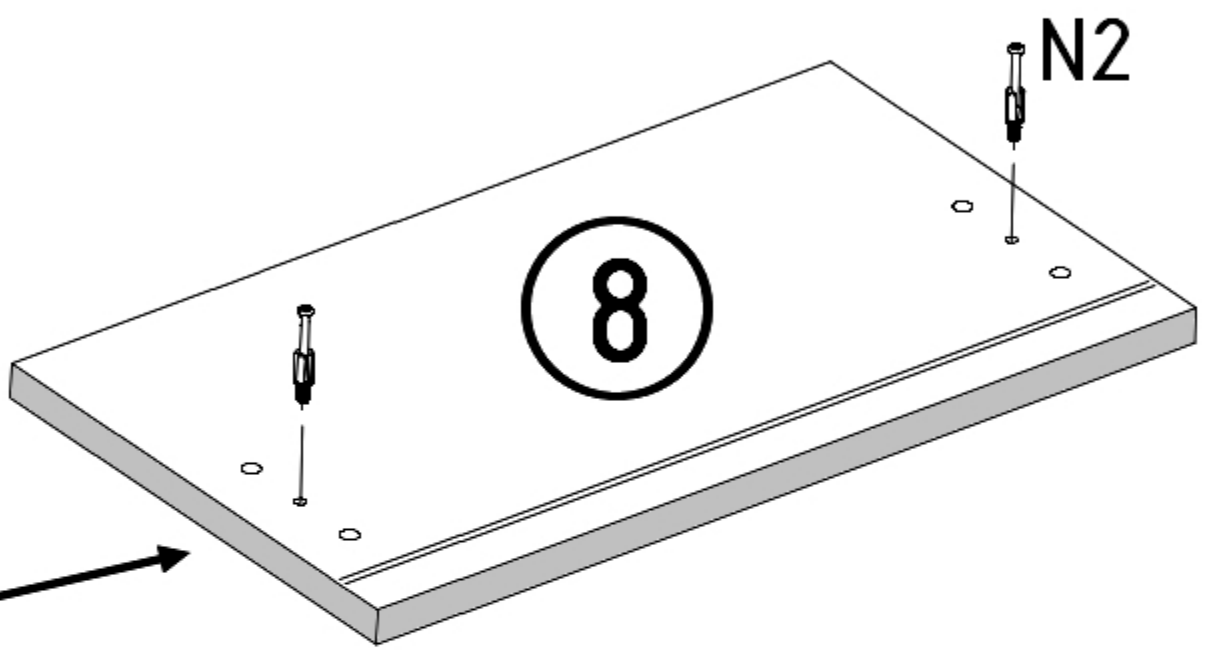
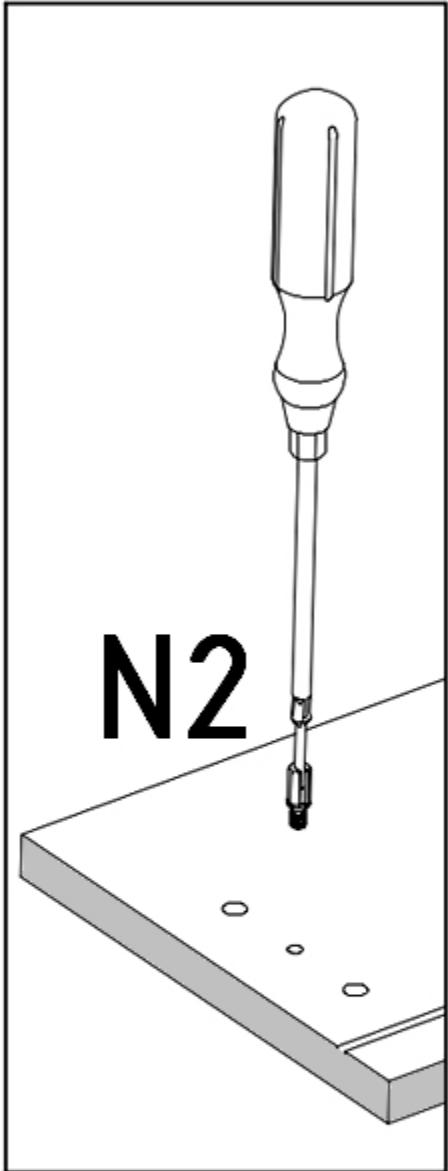
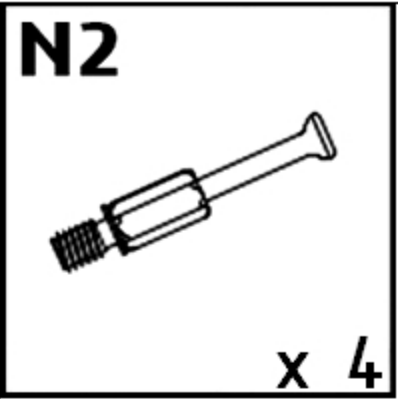
M3  x 8	E1  x 8
-------------------------------------------------------------------------------------------------------	-------------------------------------------------------------------------------------------------------



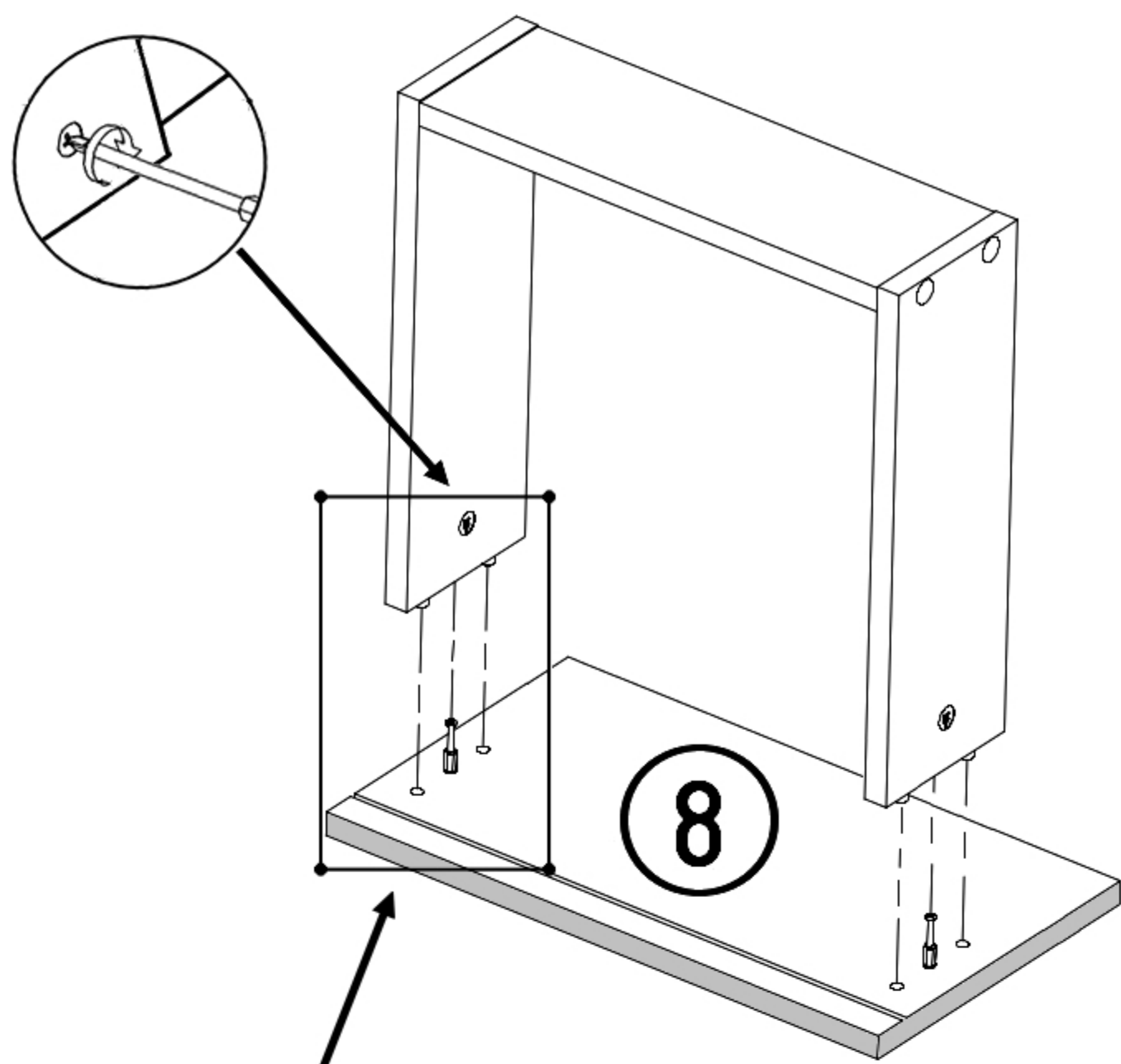
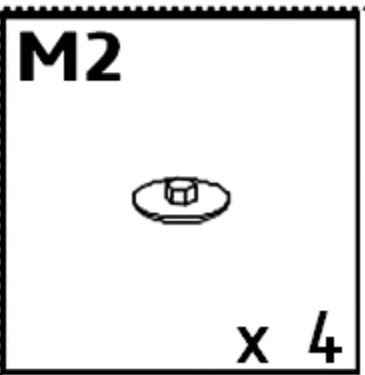




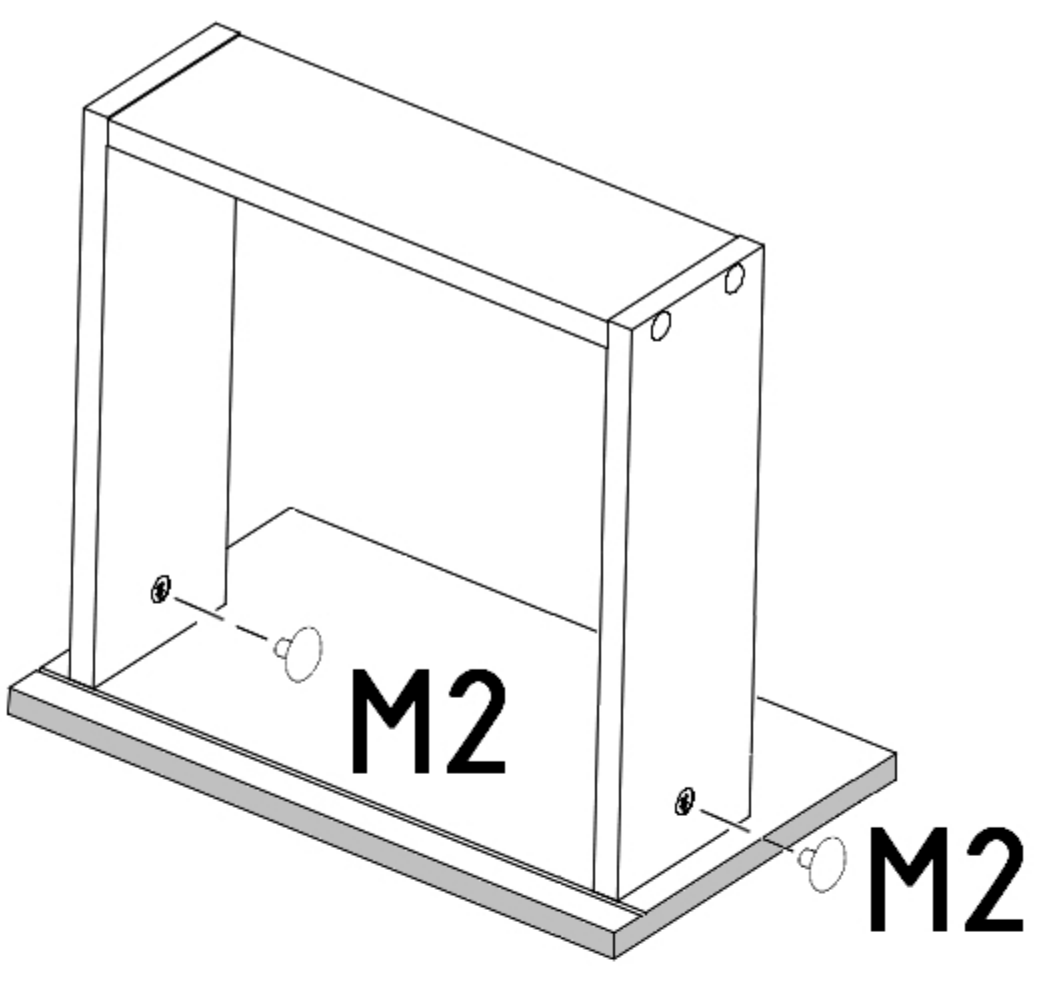
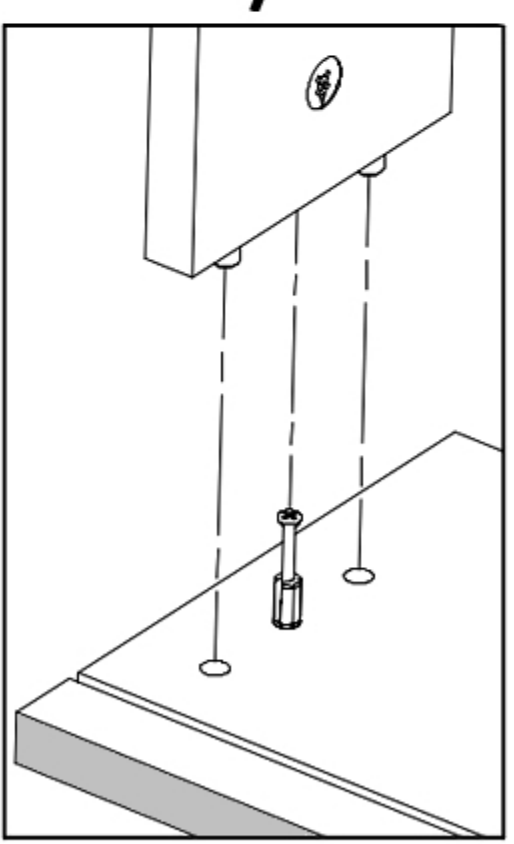
x 2



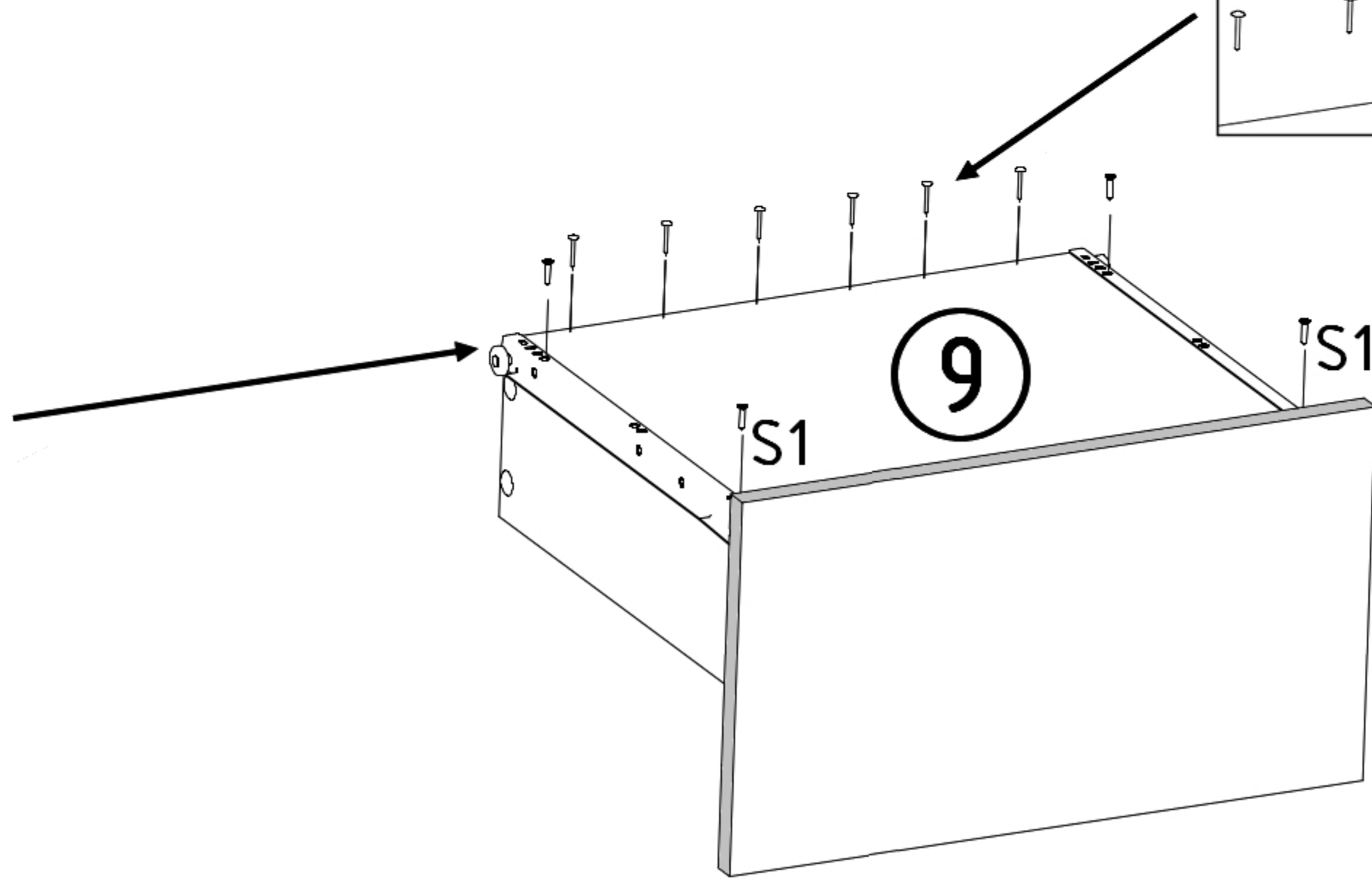
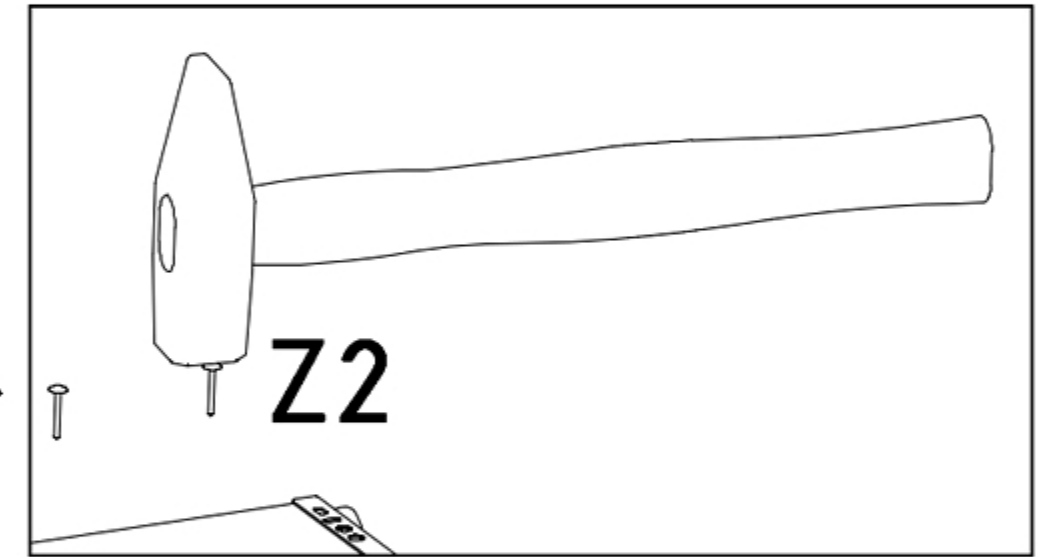
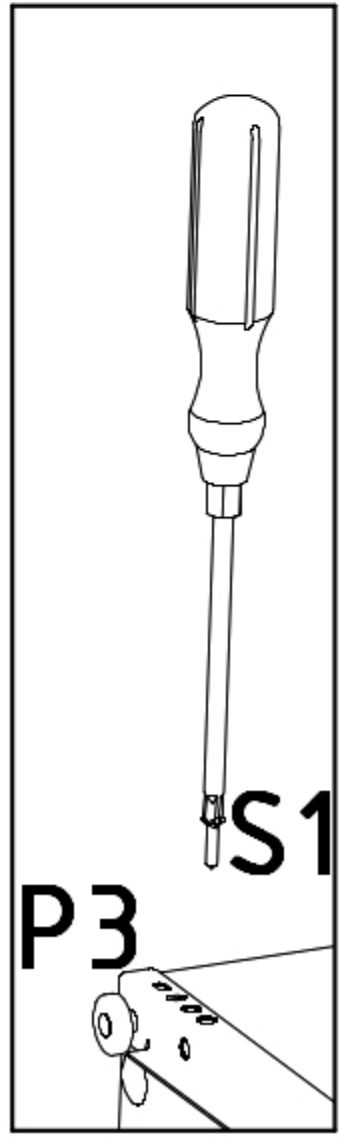
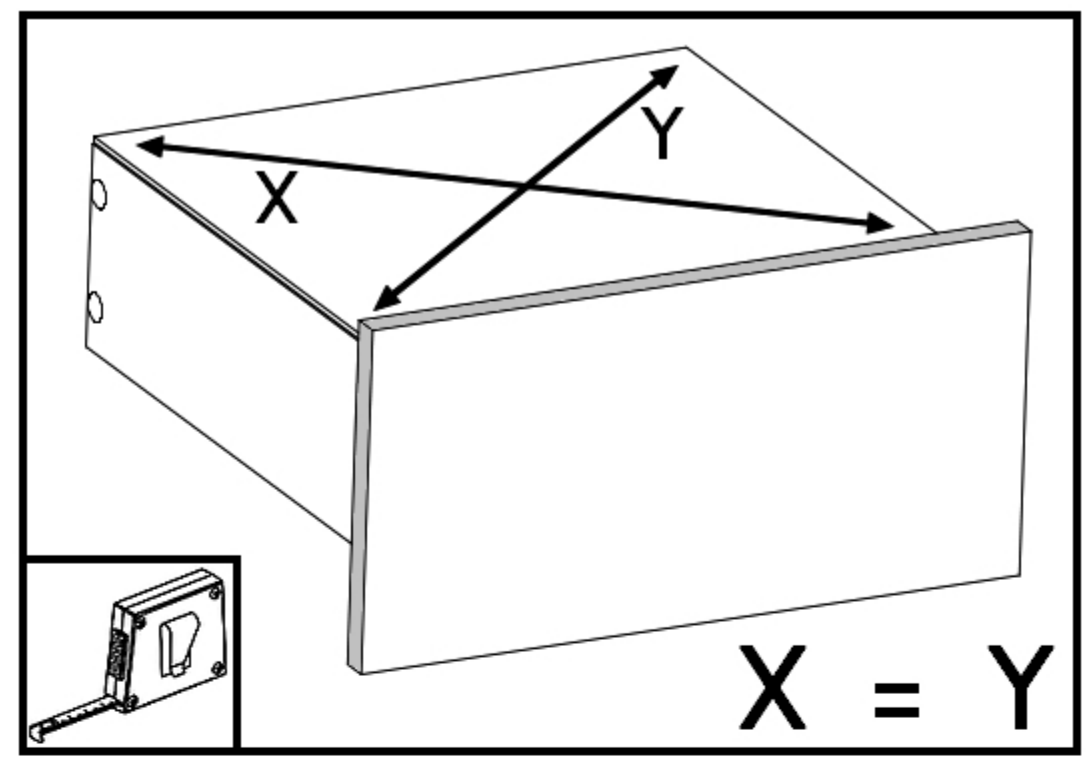
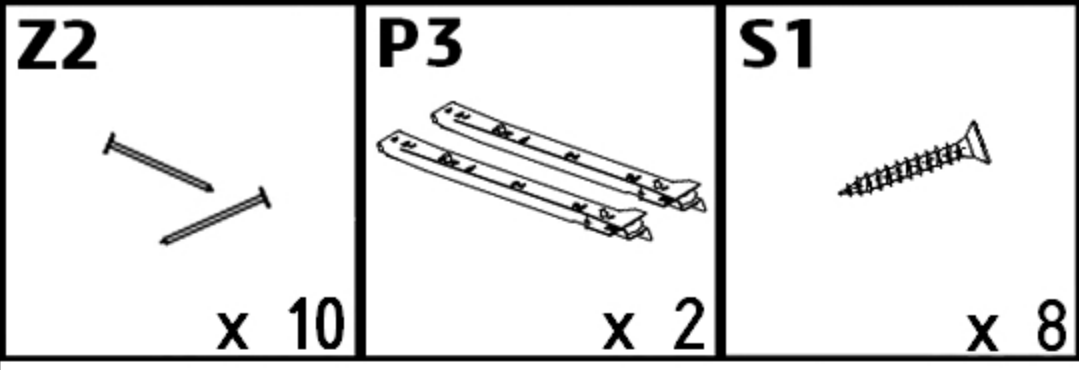
x 2



x 2



x 2



x 2

