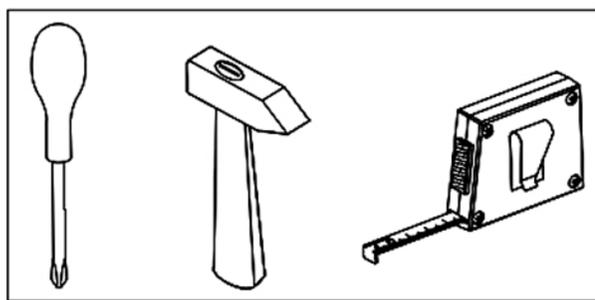
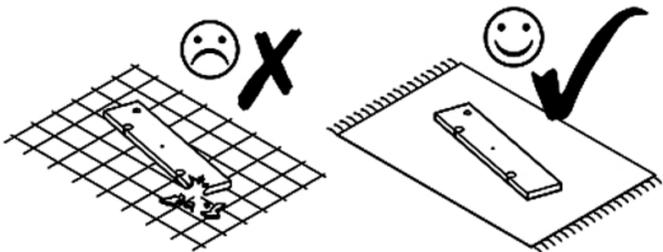
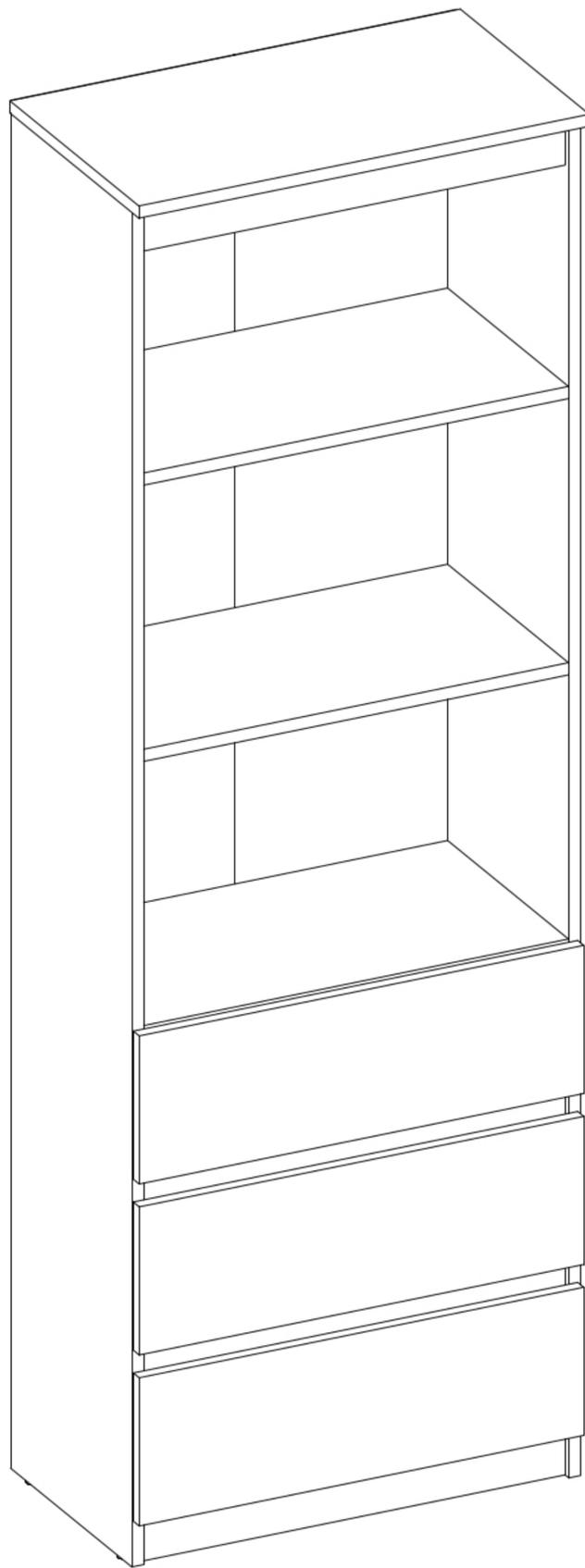
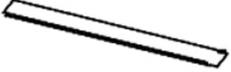
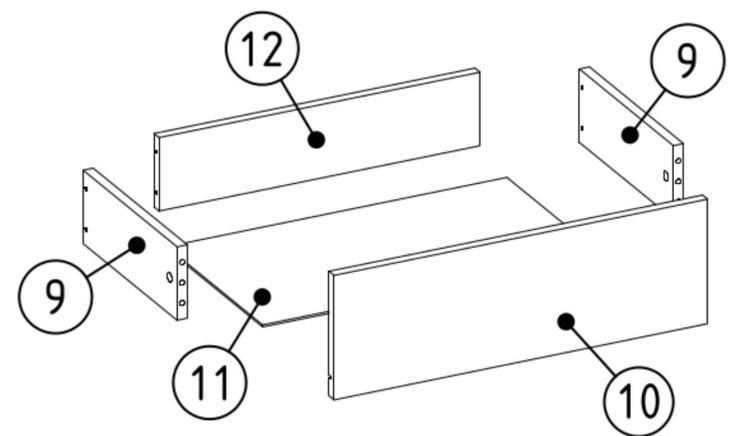
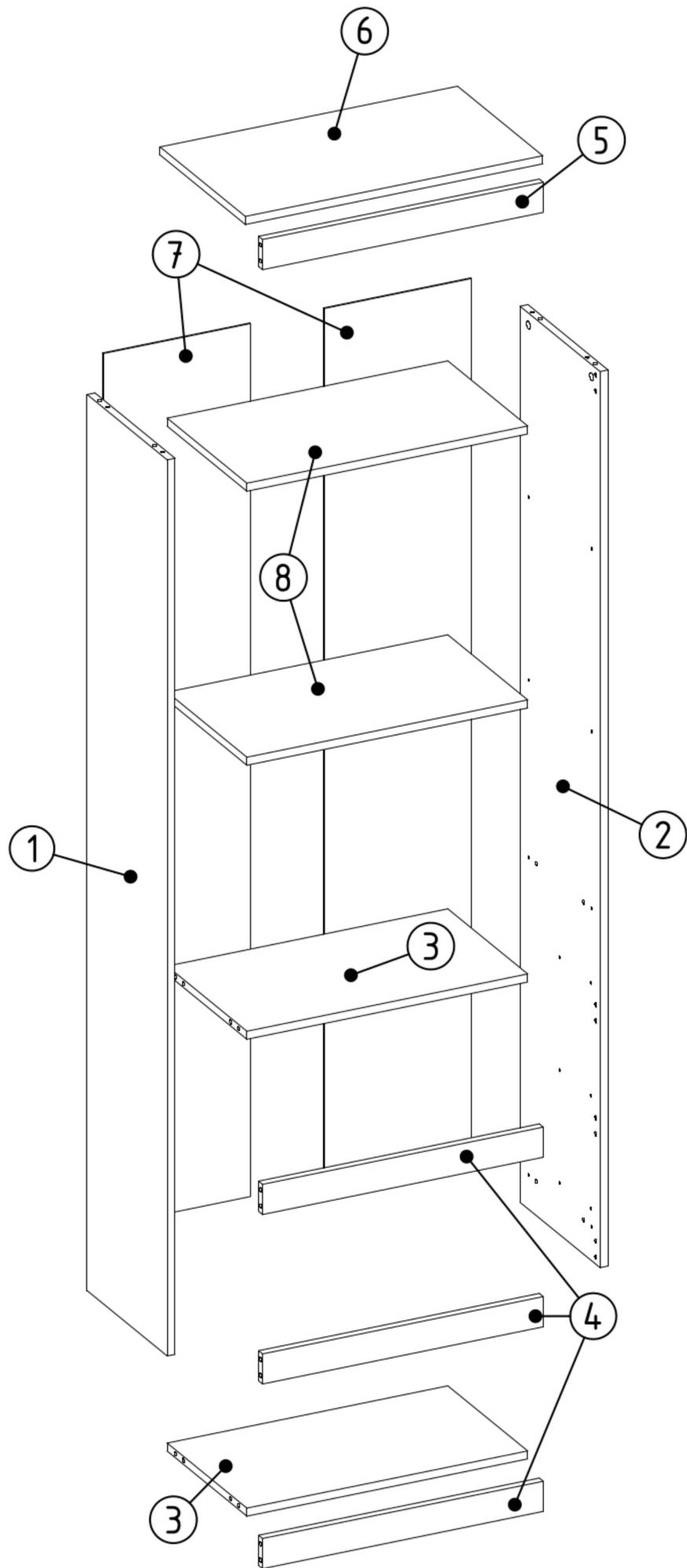


07/07/2020

RS-60



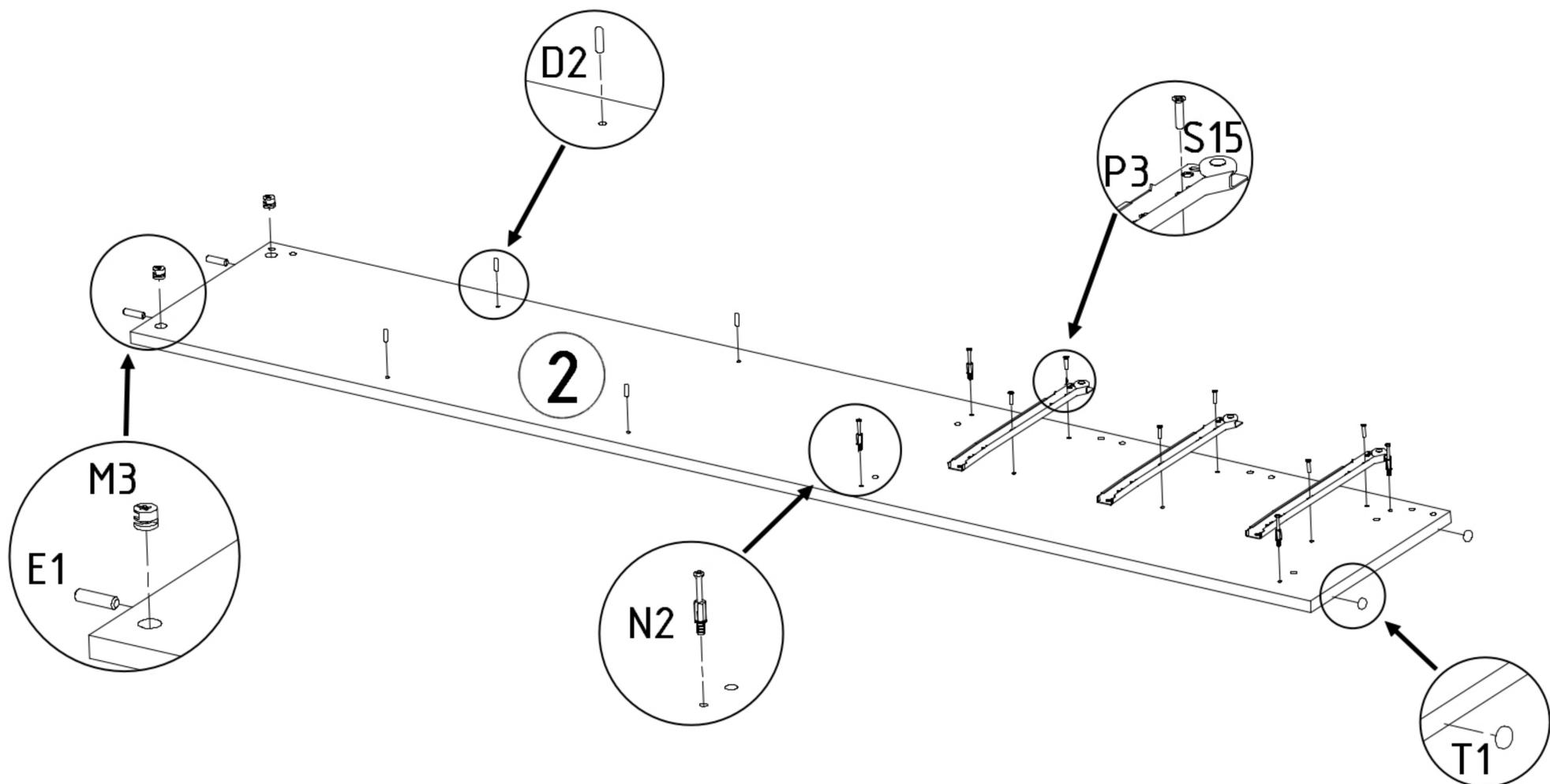
N2  L=35 mm x 18	M3  12x15 mm x 18	E4  L=43 mm x 12	S1  3,5x16 mm x12	E1  8x30 mm x 40	D2  5x16 mm x 8	L1  L=1716 mm x 1
T1  x 4	Z2  x 70	P3  L=300 mm x 3	S15  6x9 mm x 12	M2  ø17 mm x 6	 x 1	 x 1



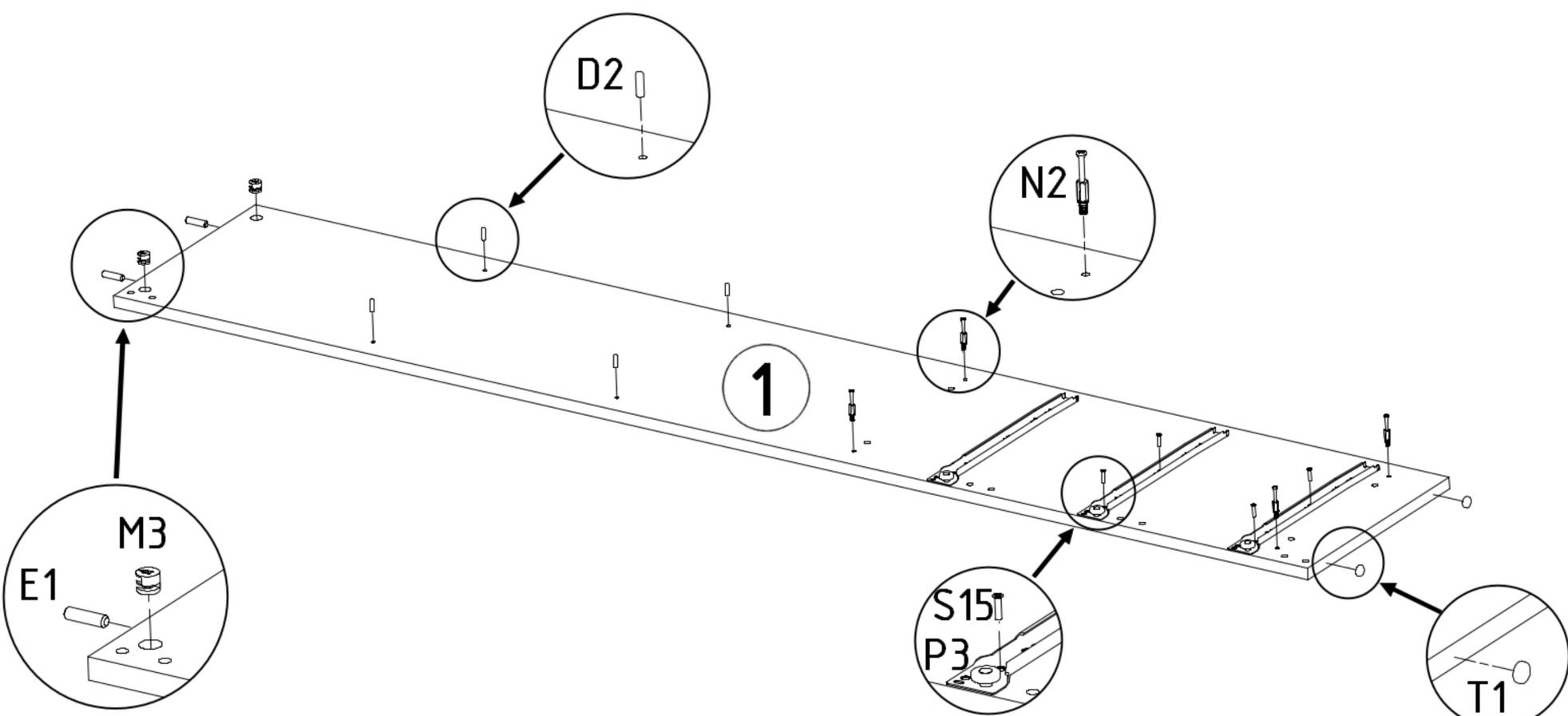
1	x	1
2	x	1
3	x	2
4	x	3
5	x	1
6	x	1

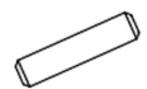
7	x	2
8	x	2
9	x	6
10	x	3
11	x	3
12	x	3

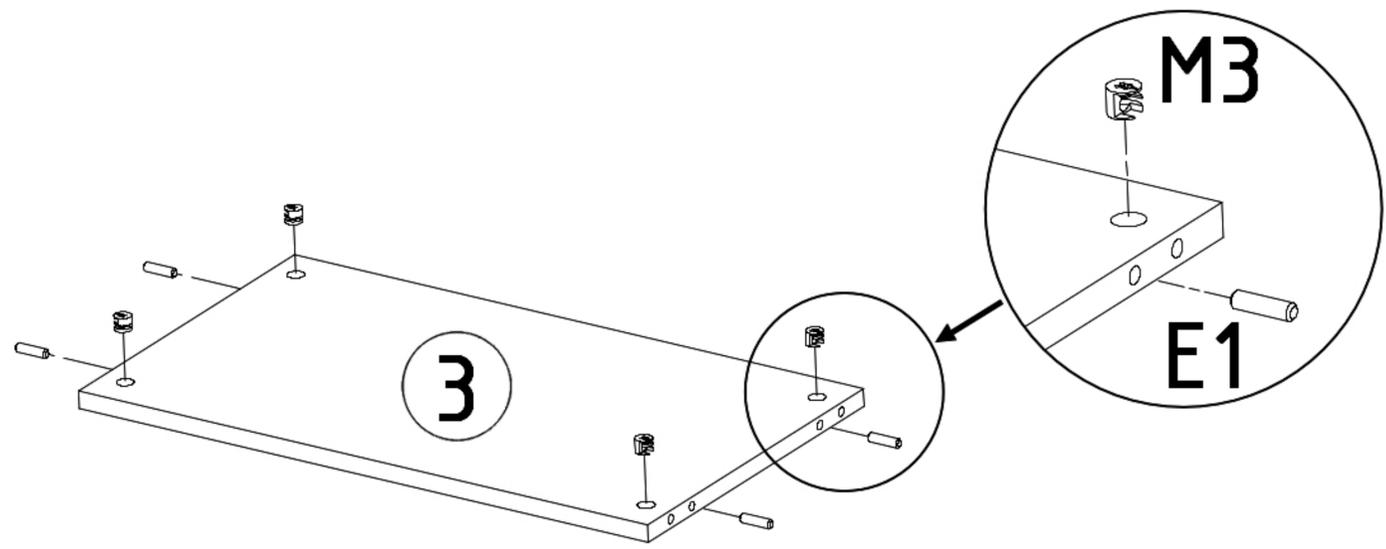
N2  x 4	P3  x 3	S15  x 6	E1  x 2	D2  x 4	M3  x 2	T1  x 2
--	---	--	---	---	---	---



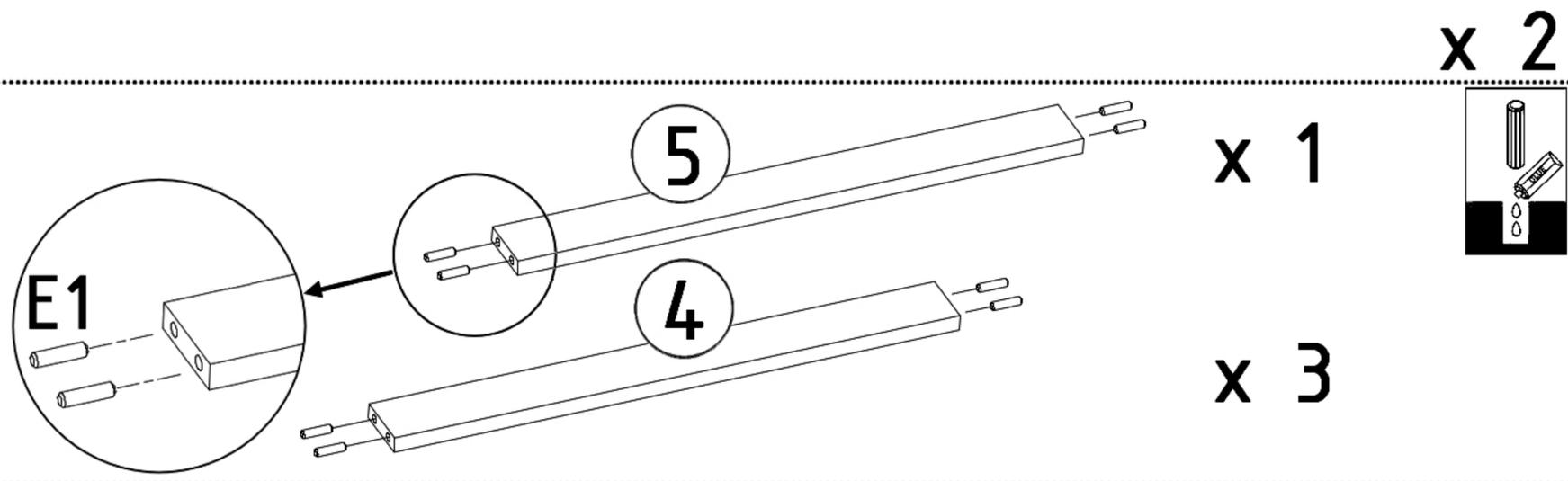
N2  x 4	P3  x 3	S15  x 6	E1  x 2	D2  x 4	M3  x 2	T1  x 2
--	---	--	---	---	---	---



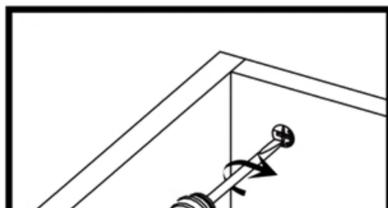
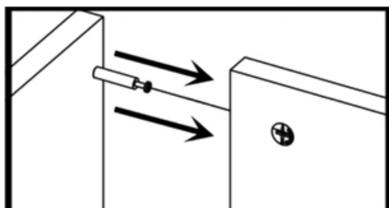
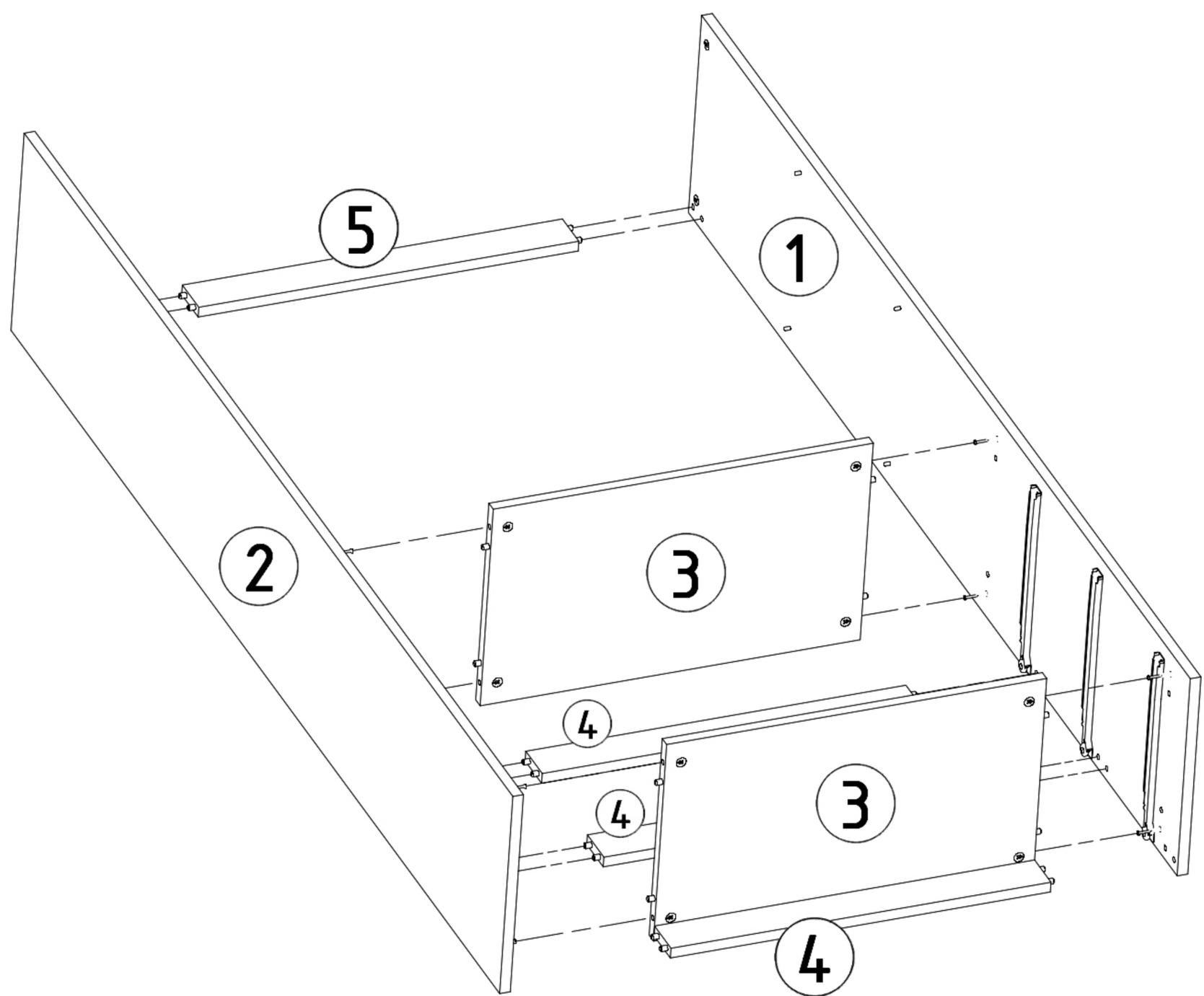
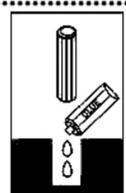
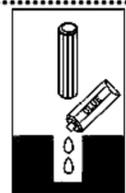
M3  x 8	E1  x 8
--	---



E1  x 16



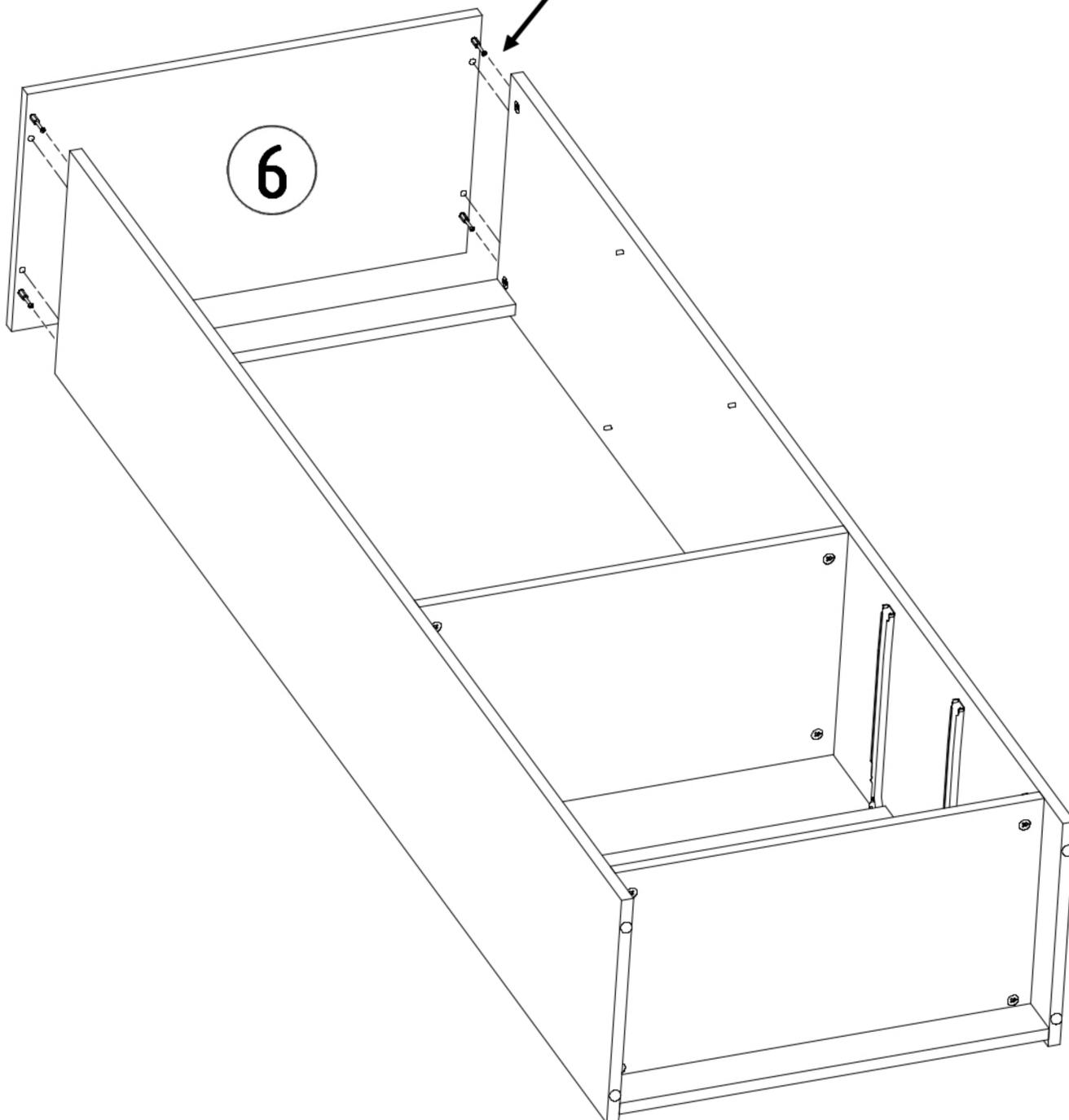
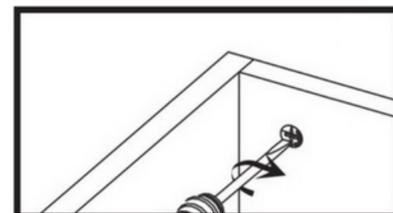
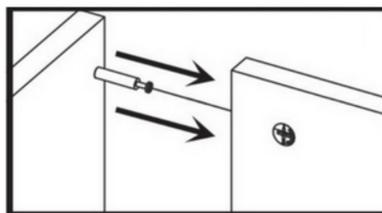
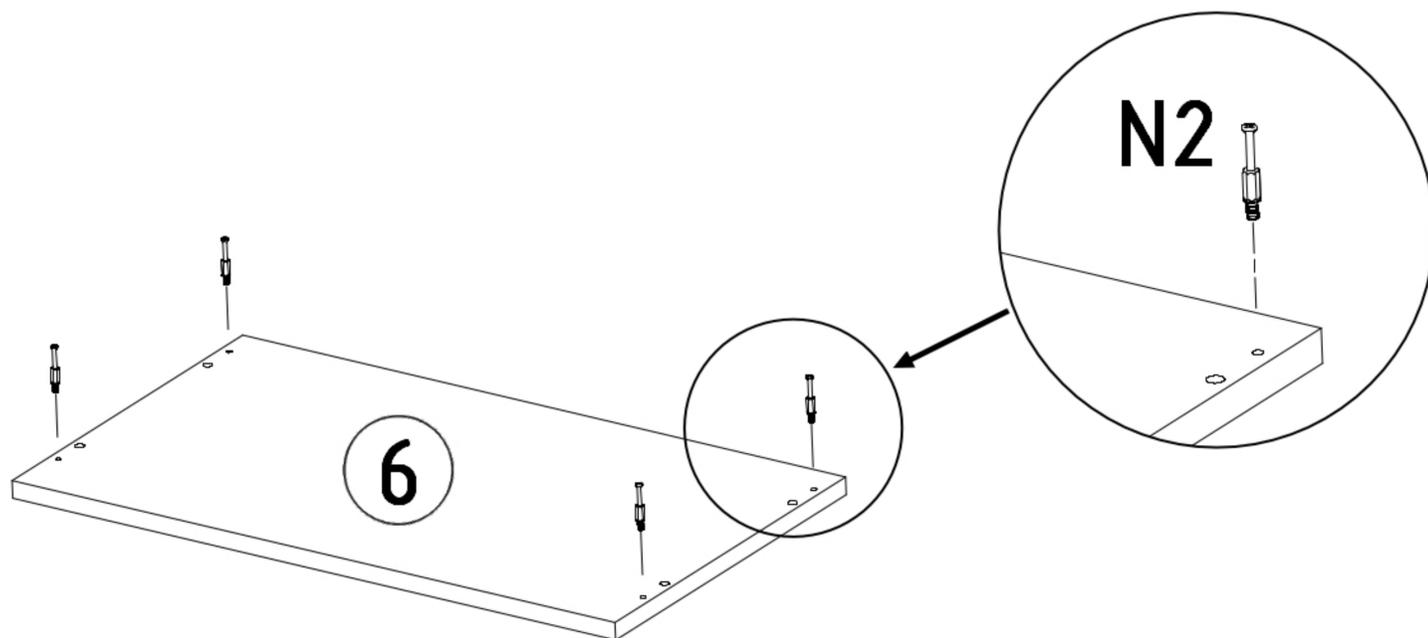
x 2

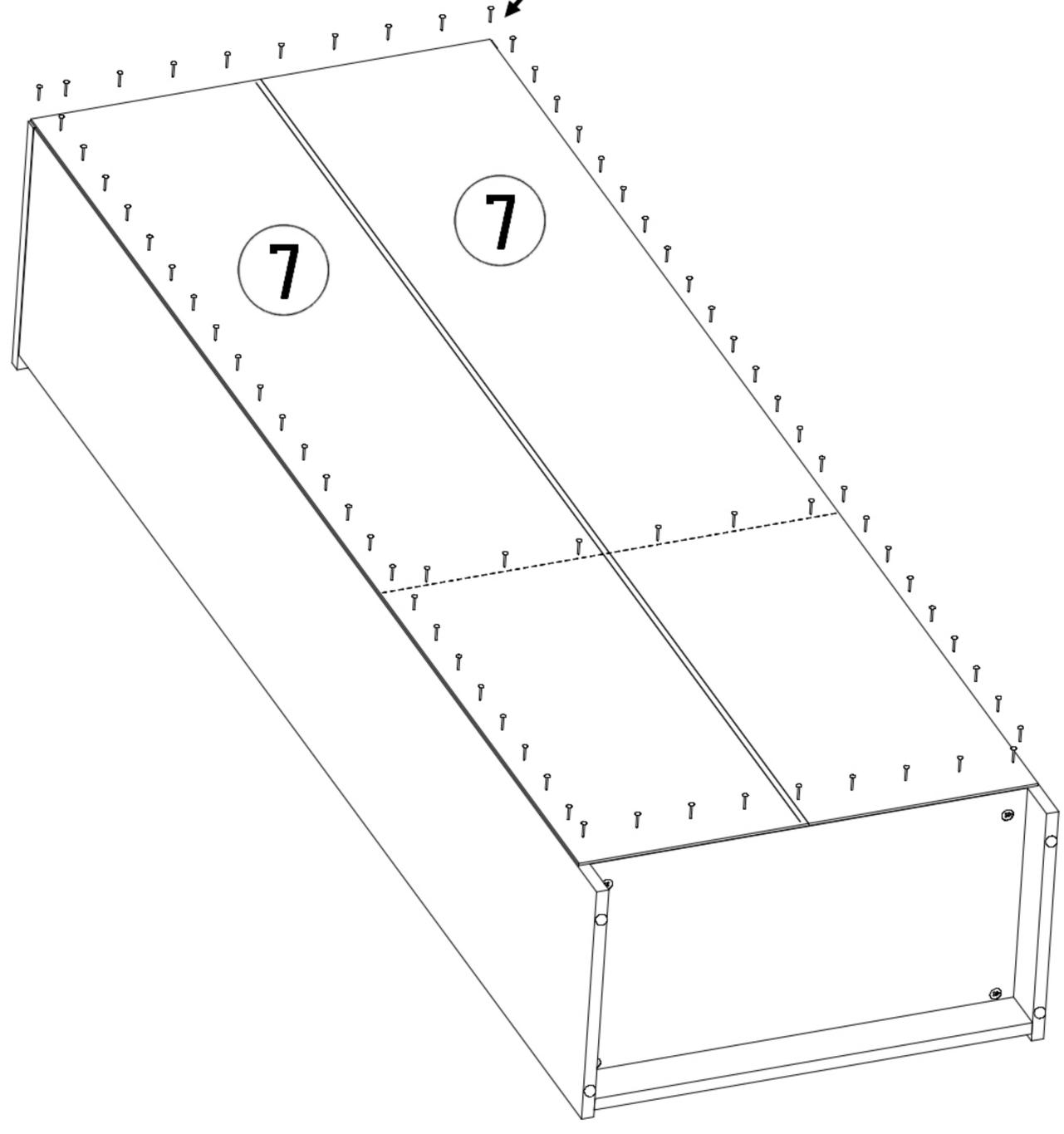
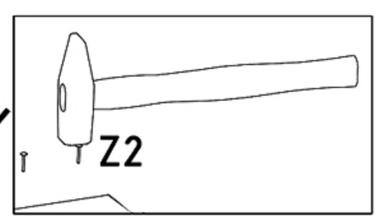
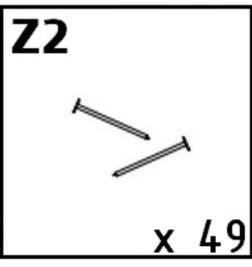
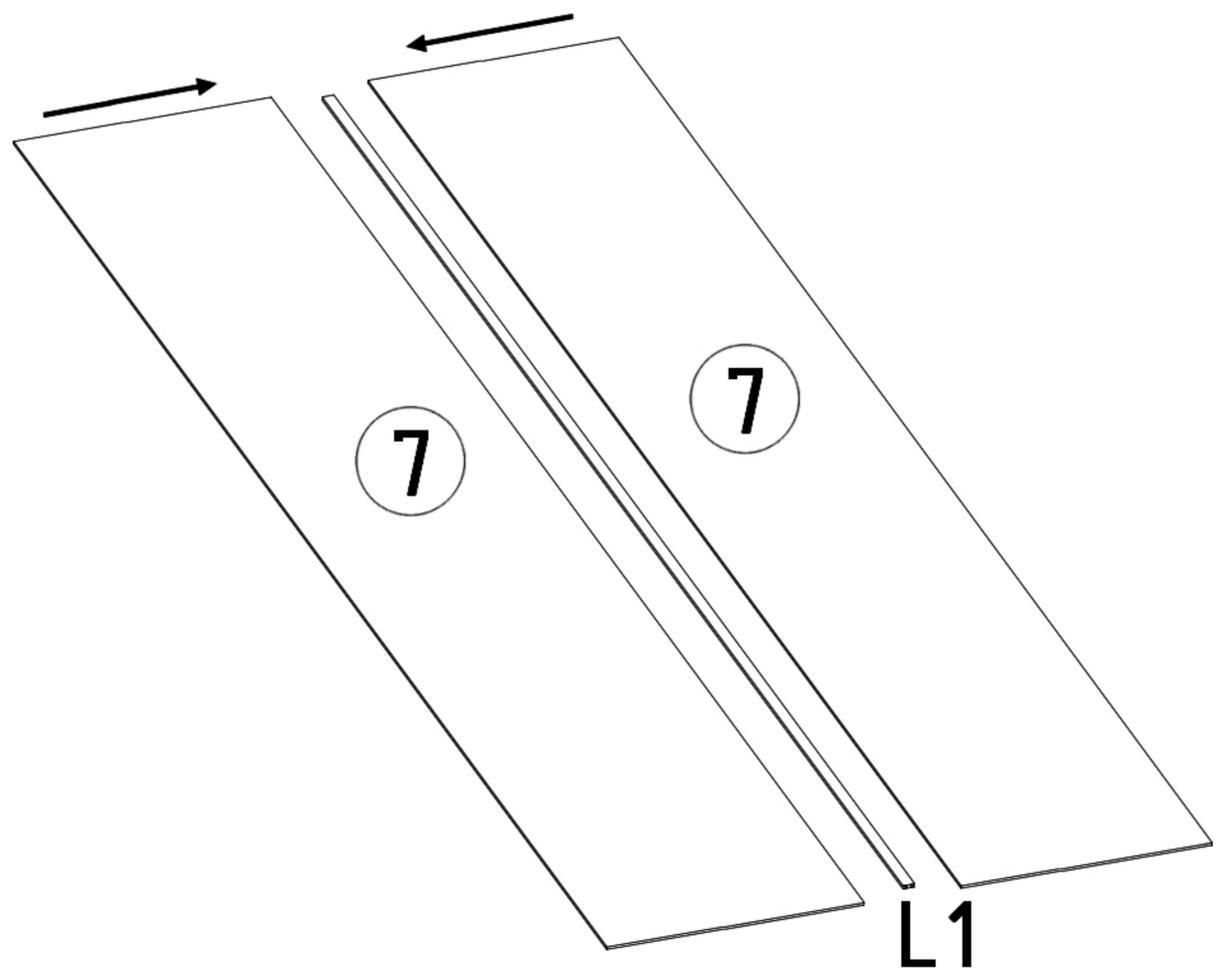
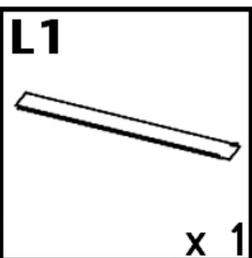


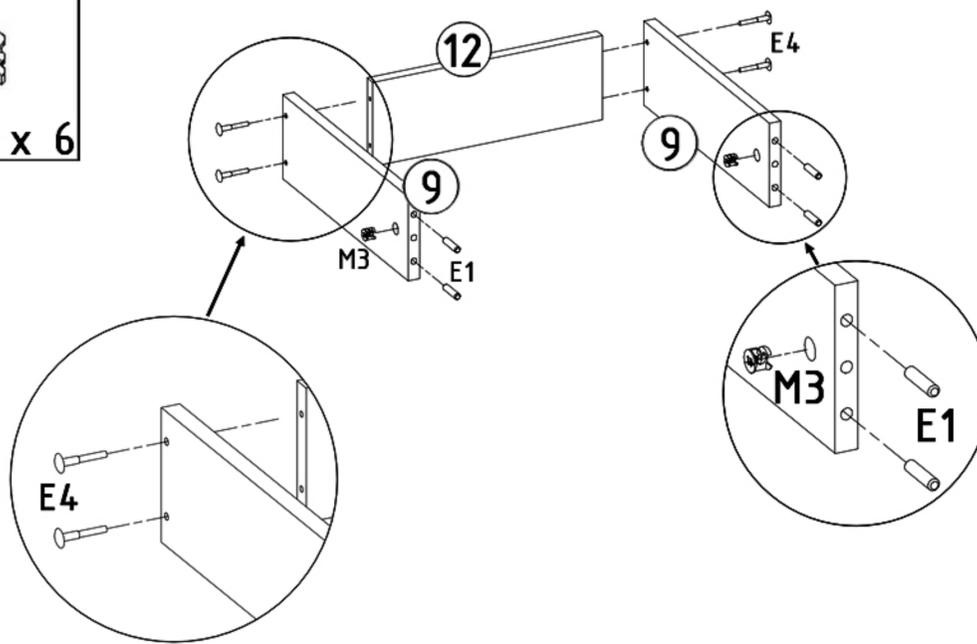
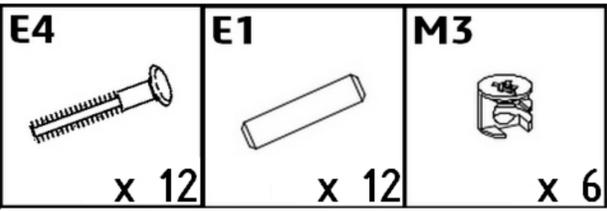
N2



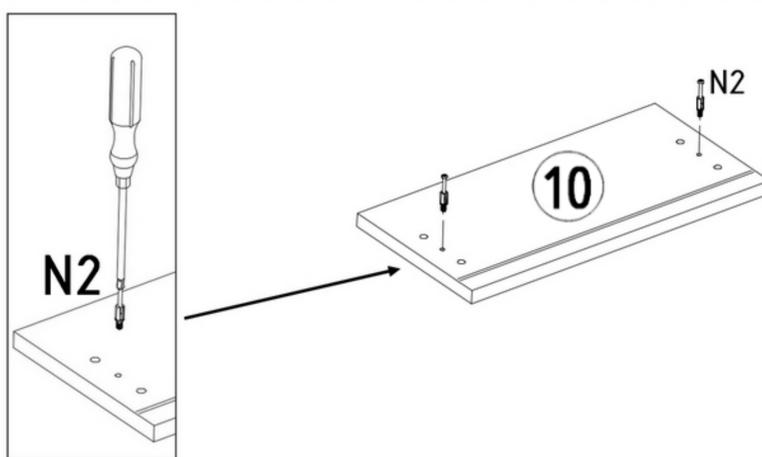
x 4



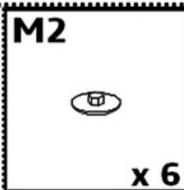
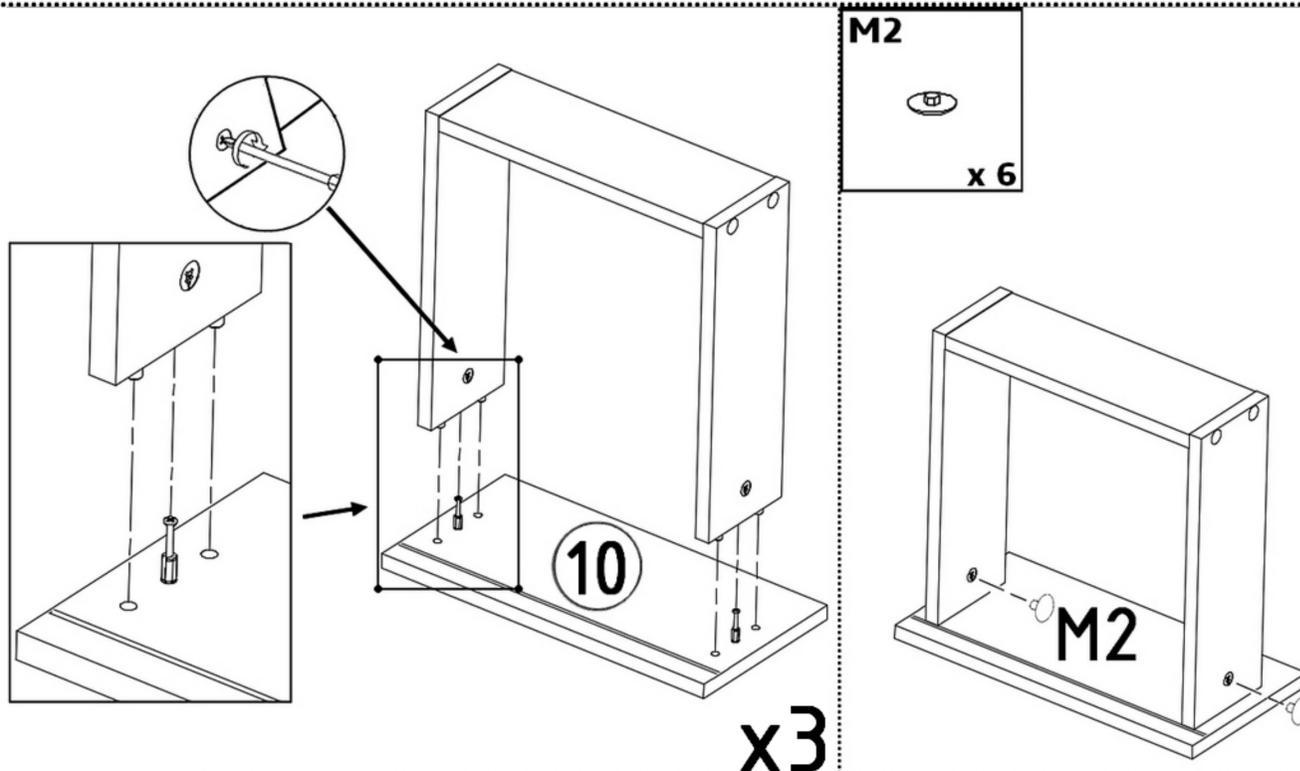




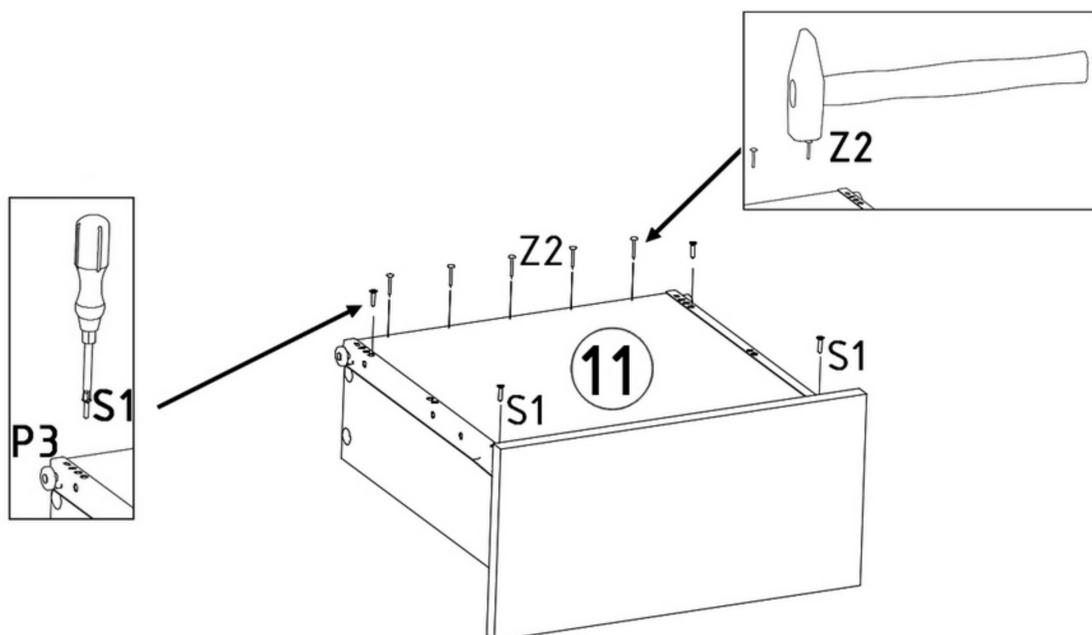
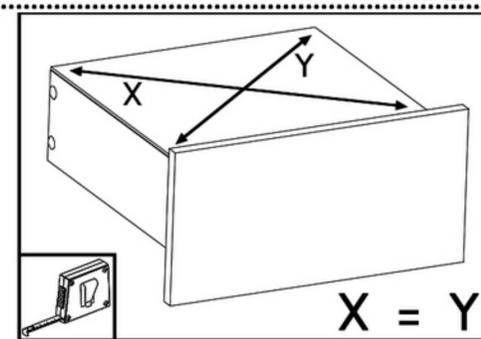
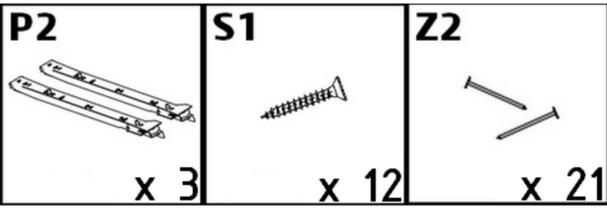
x3



x3



x3



x3



x 1

