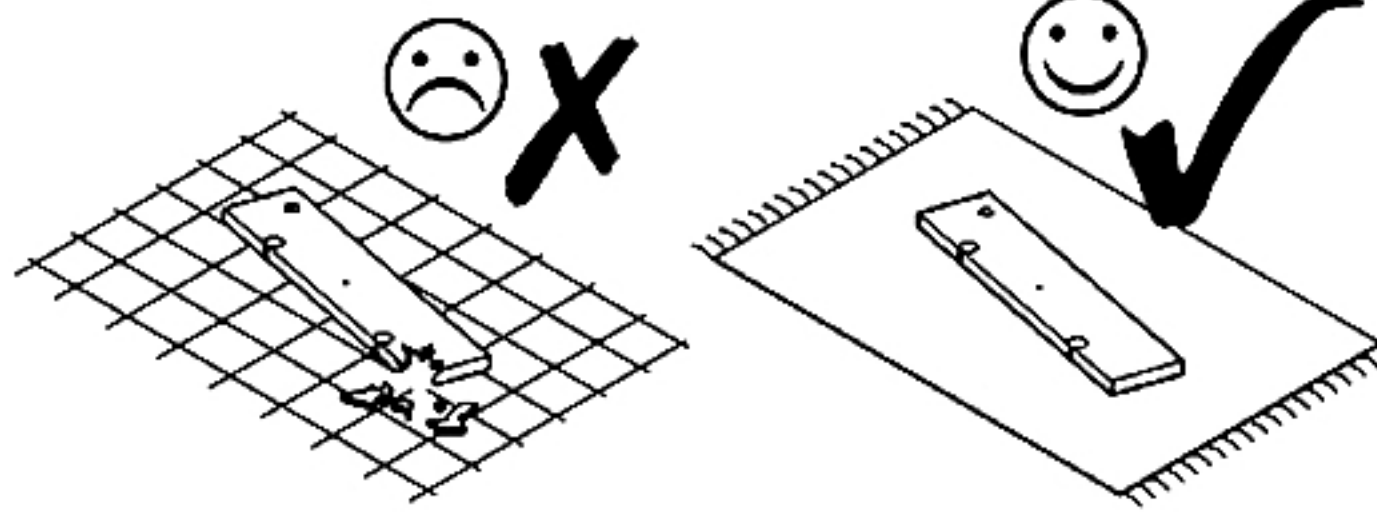
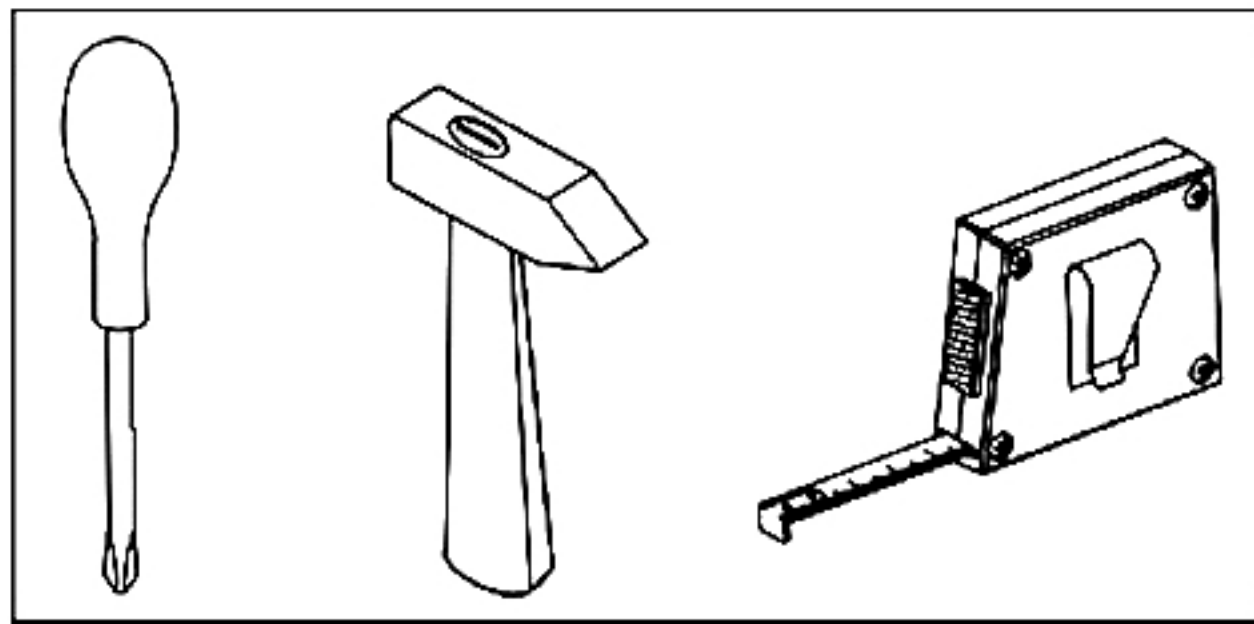
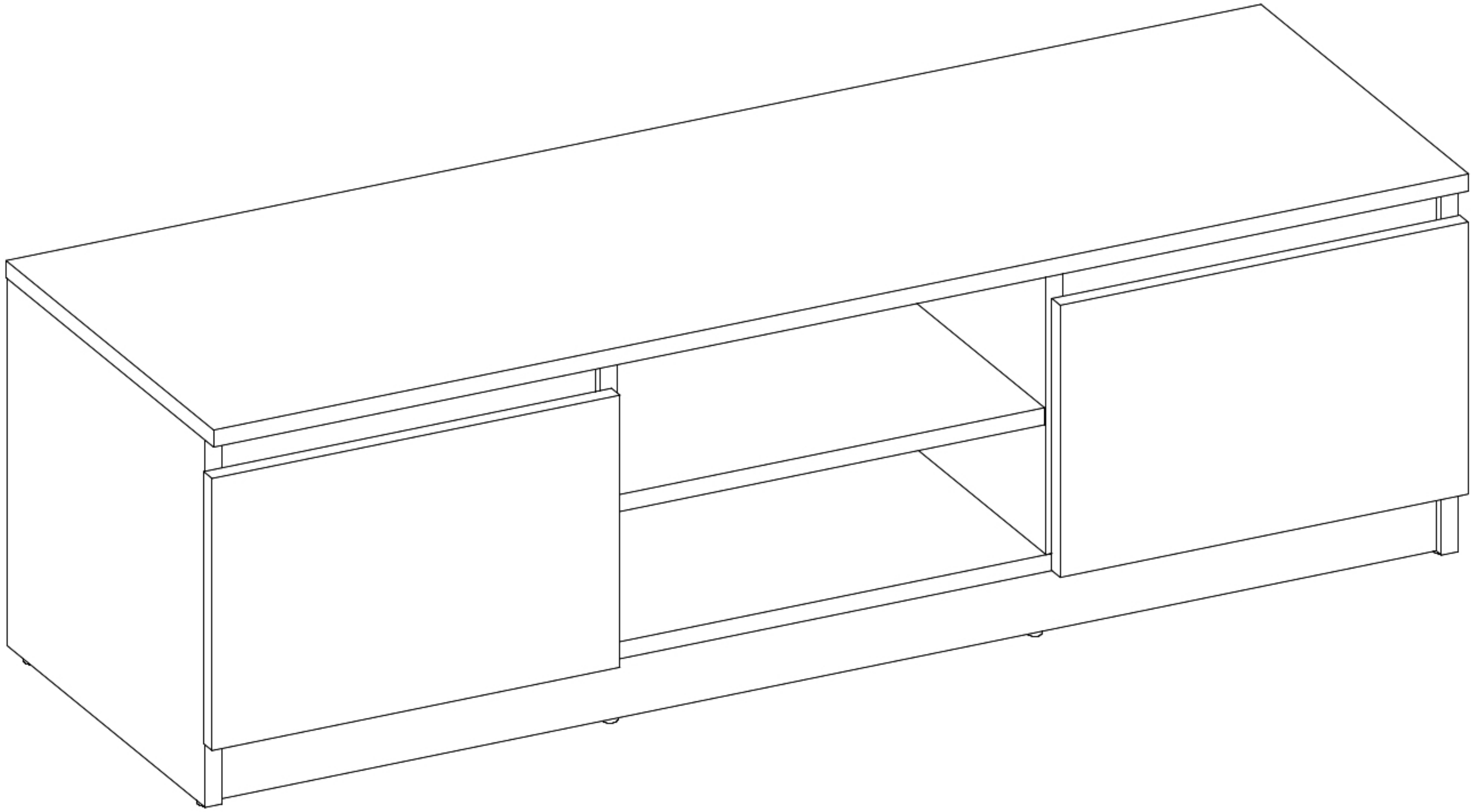


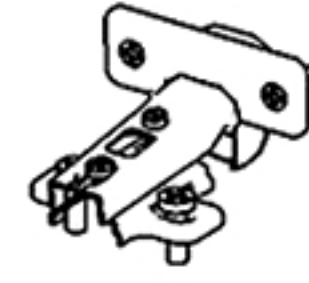




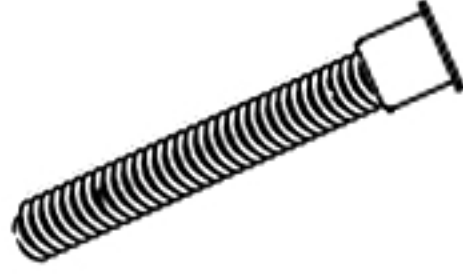

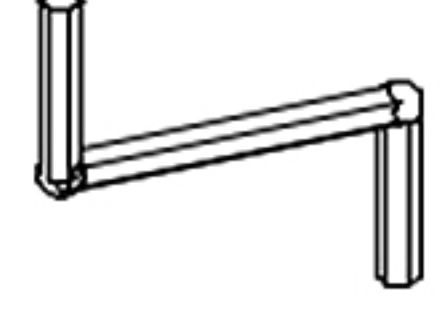


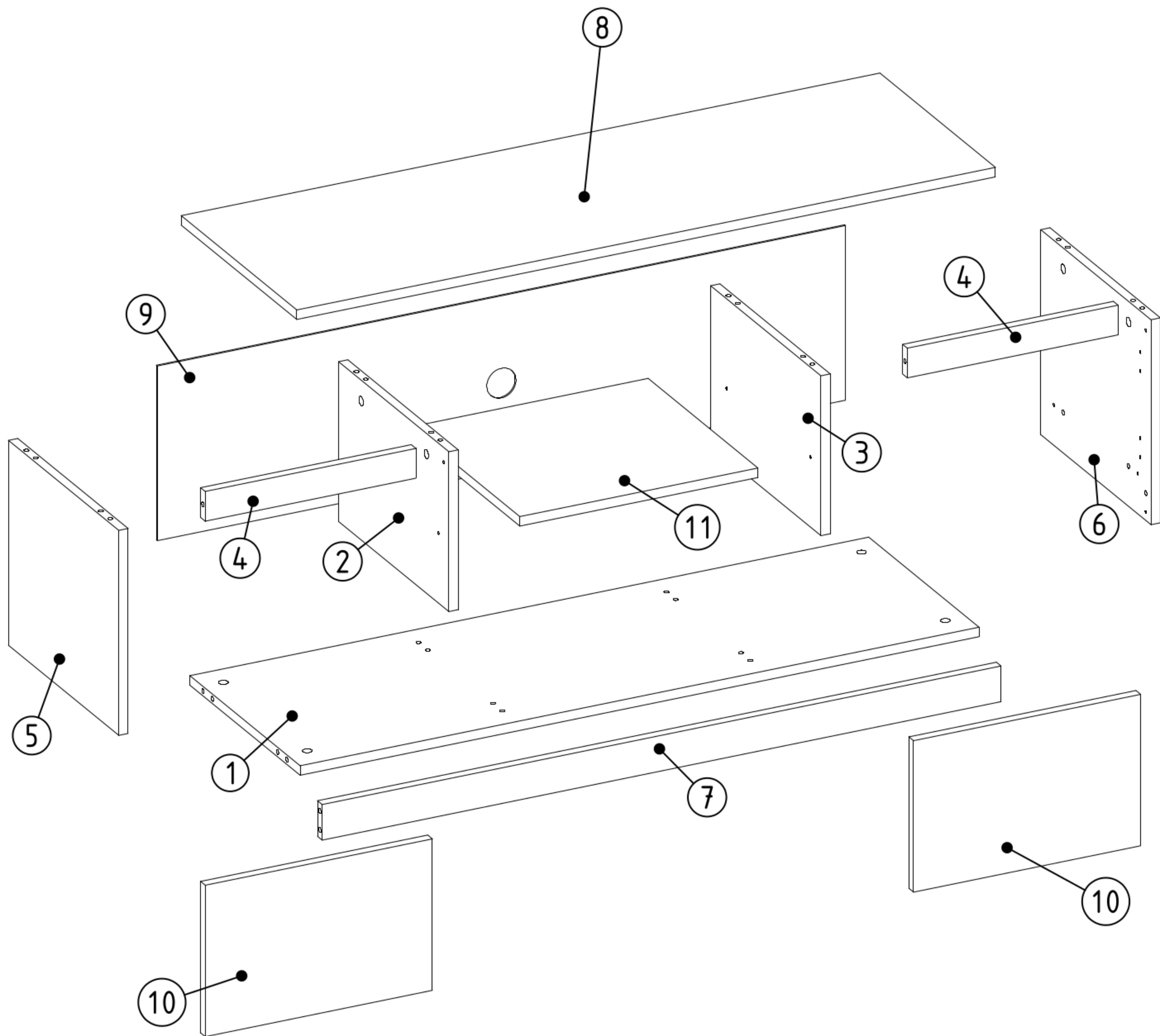


17.04.2020

RTV






N2  L=45mm x 18	M3  12x15mm x 18	A0  zw x 4	S1  3,5x16mm x 10	E1  8x35mm x 18	K3  x 1
T1  x 6	F2  7x50mm x 4	Z2  x 50	K1  x 1	M2 x16  ø17mm x 4	D2  L=16mm x 4

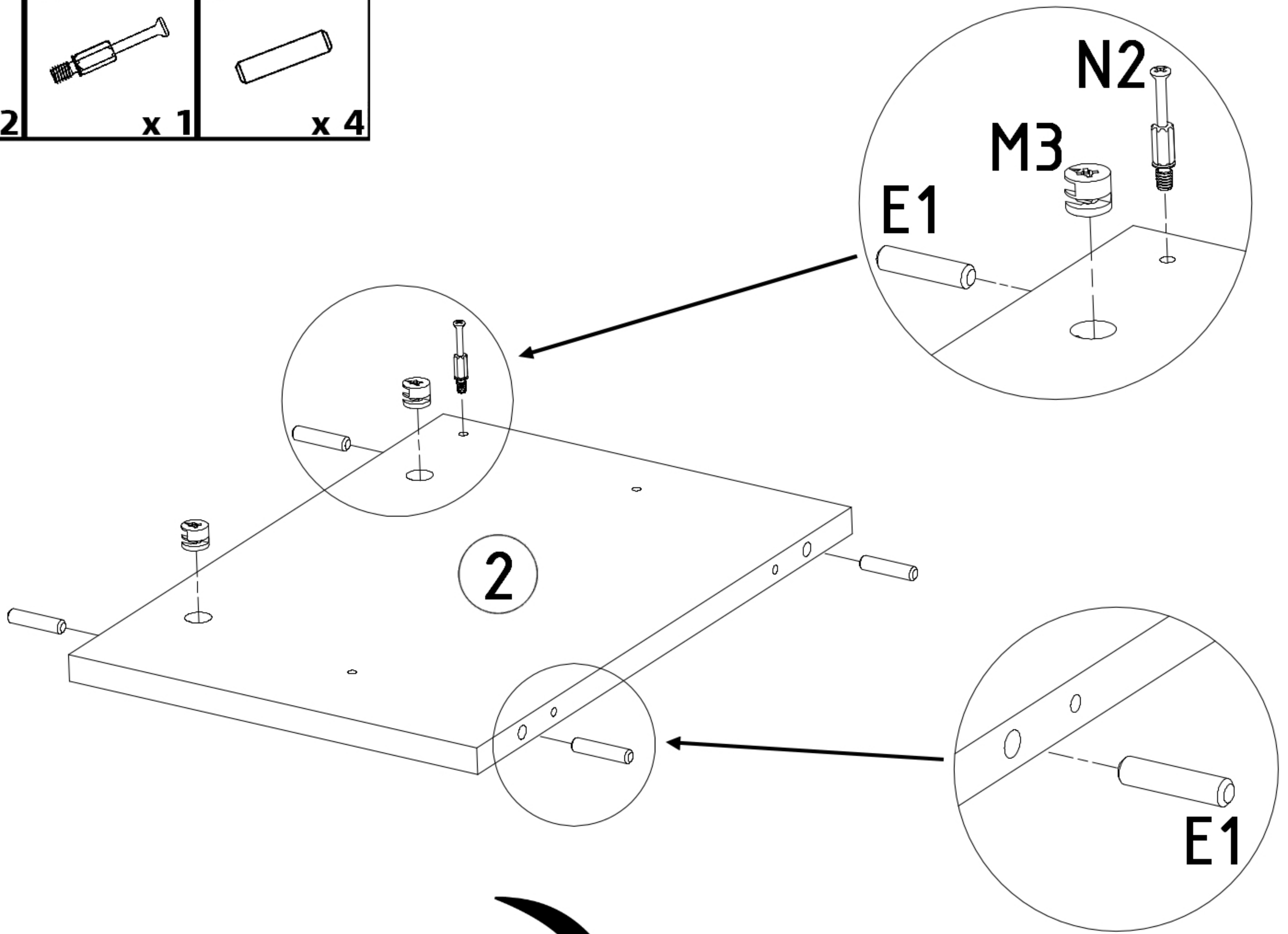



1	x	1
2	x	1
3	x	1
4	x	2
5	x	1

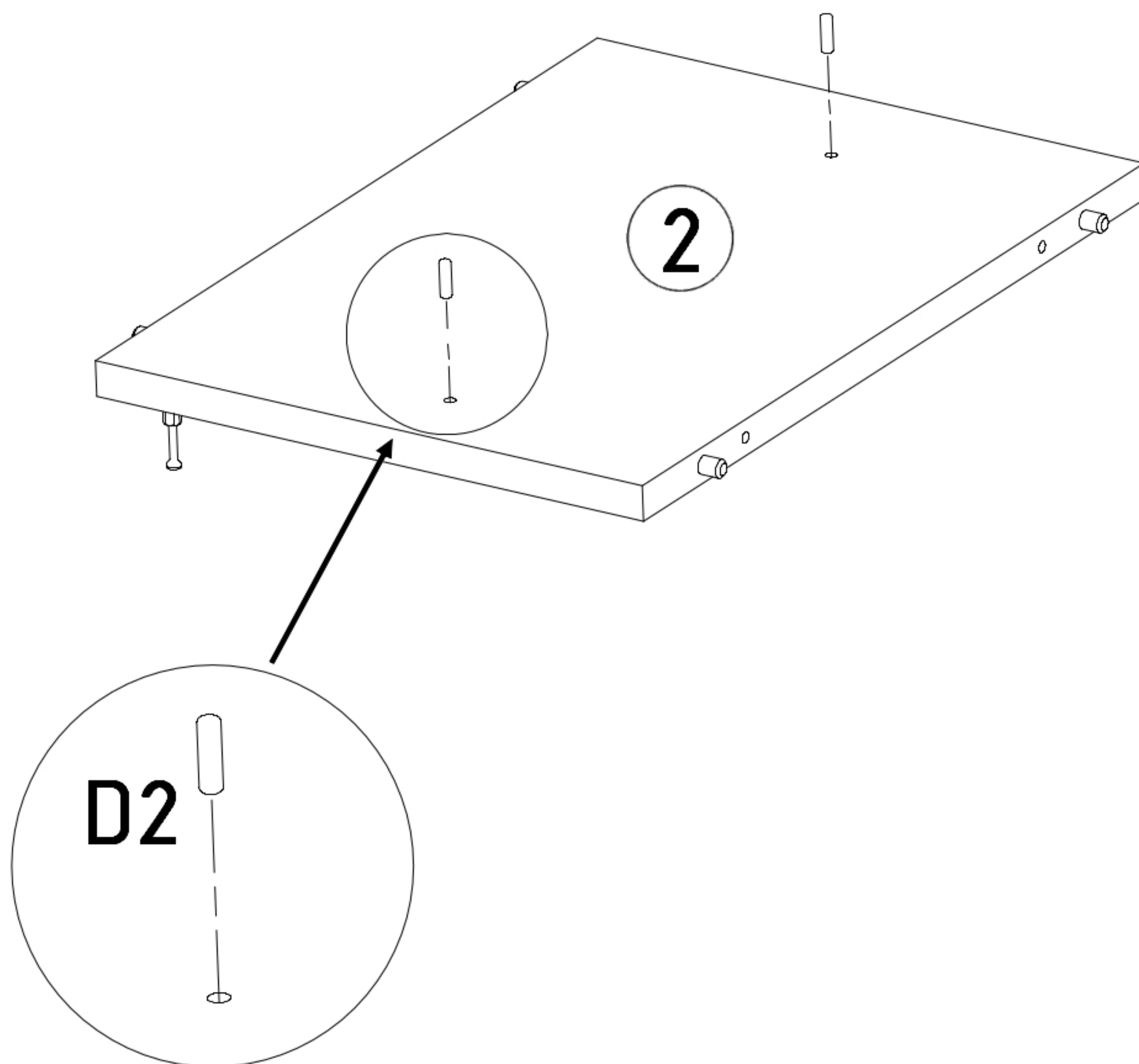
6	x	1
7	x	1
8	x	1
9	x	1
10	x	2
11	x	1

2




M3  x 2	N2  x 1	E1  x 4
---	---	---

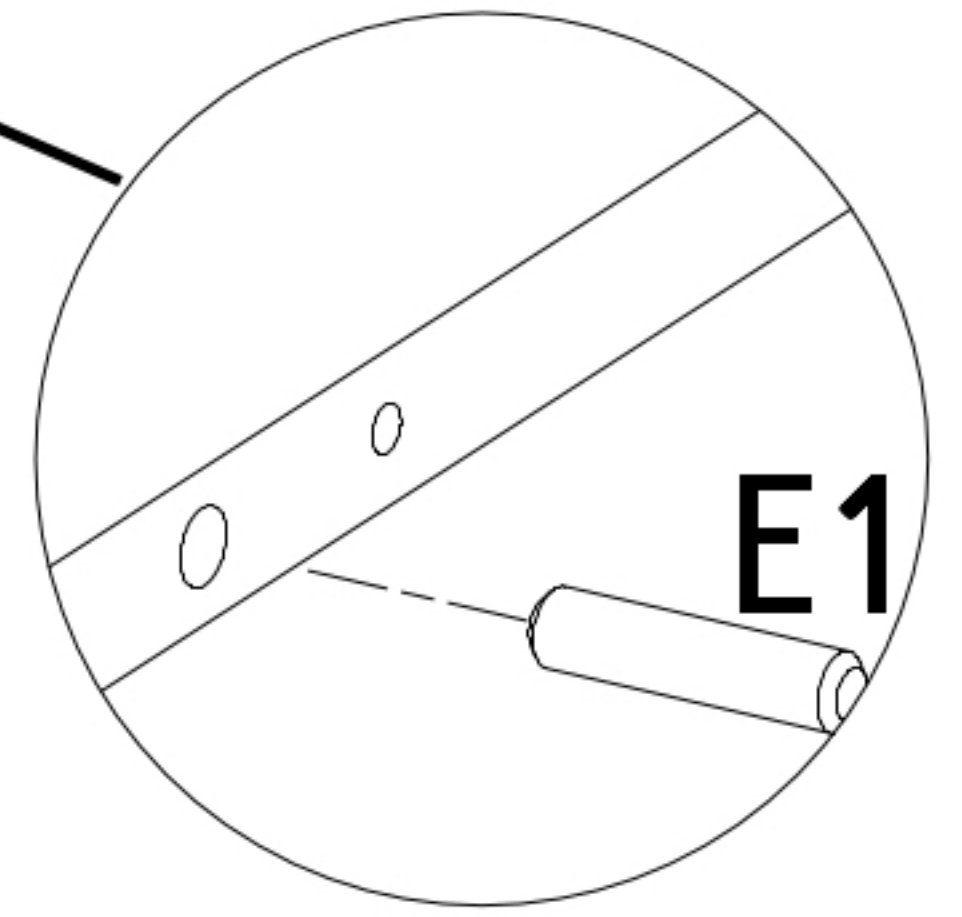
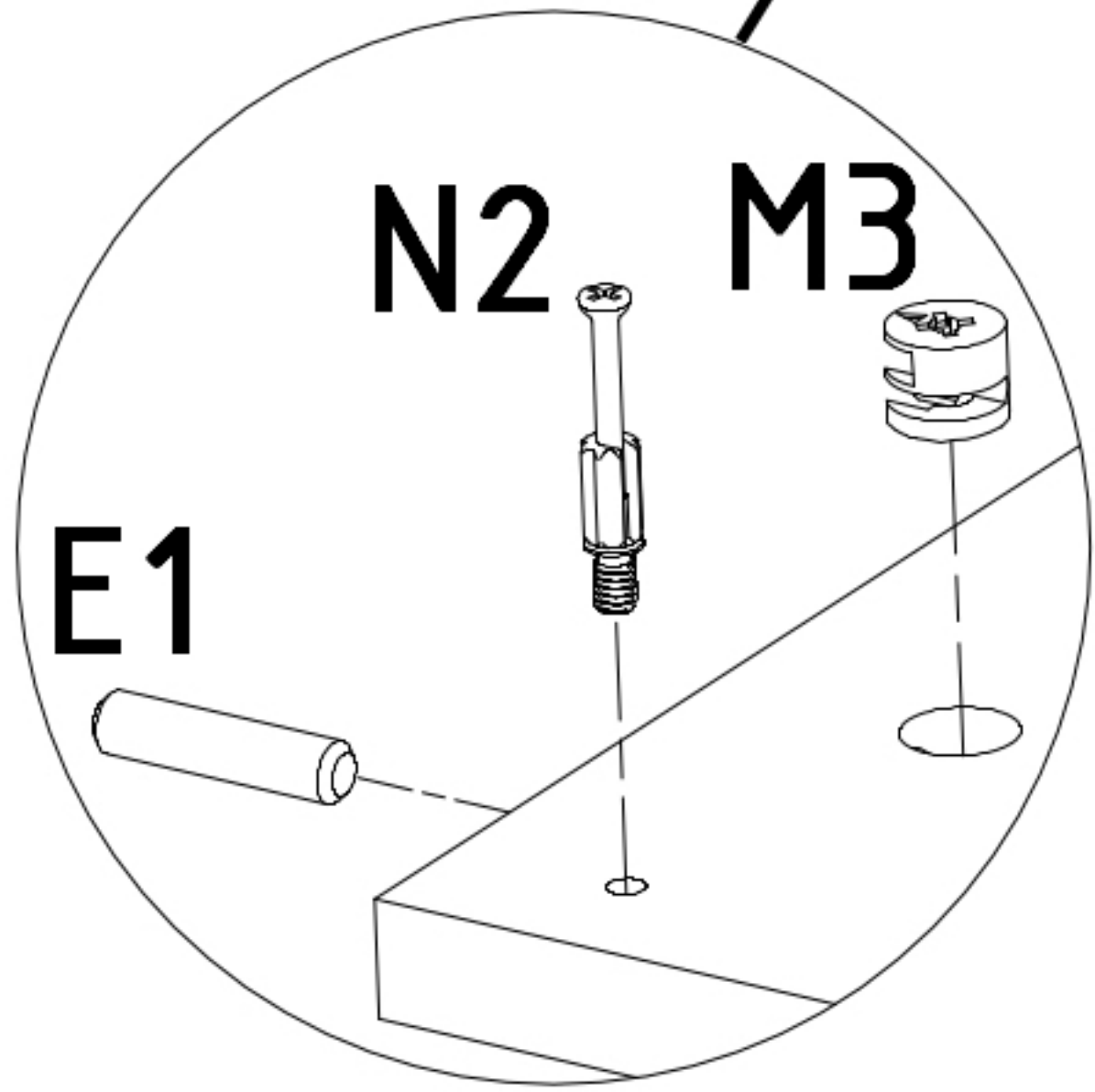
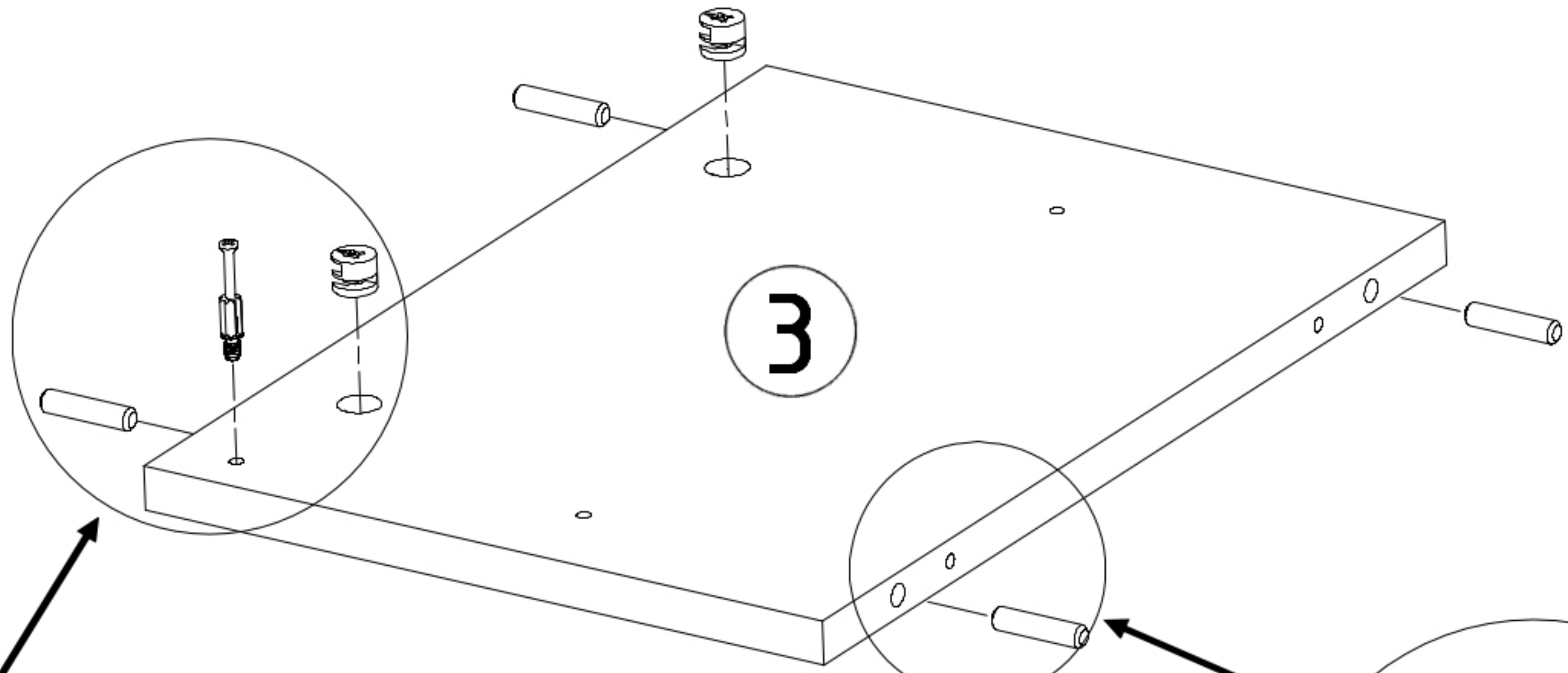



D2  x 2

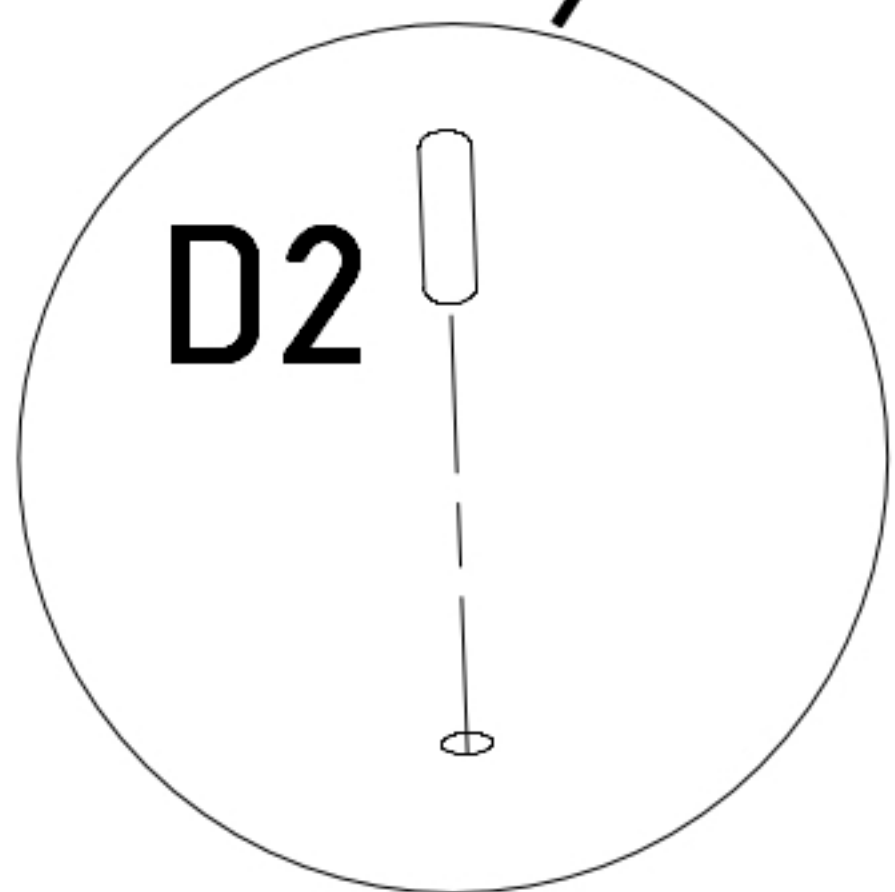
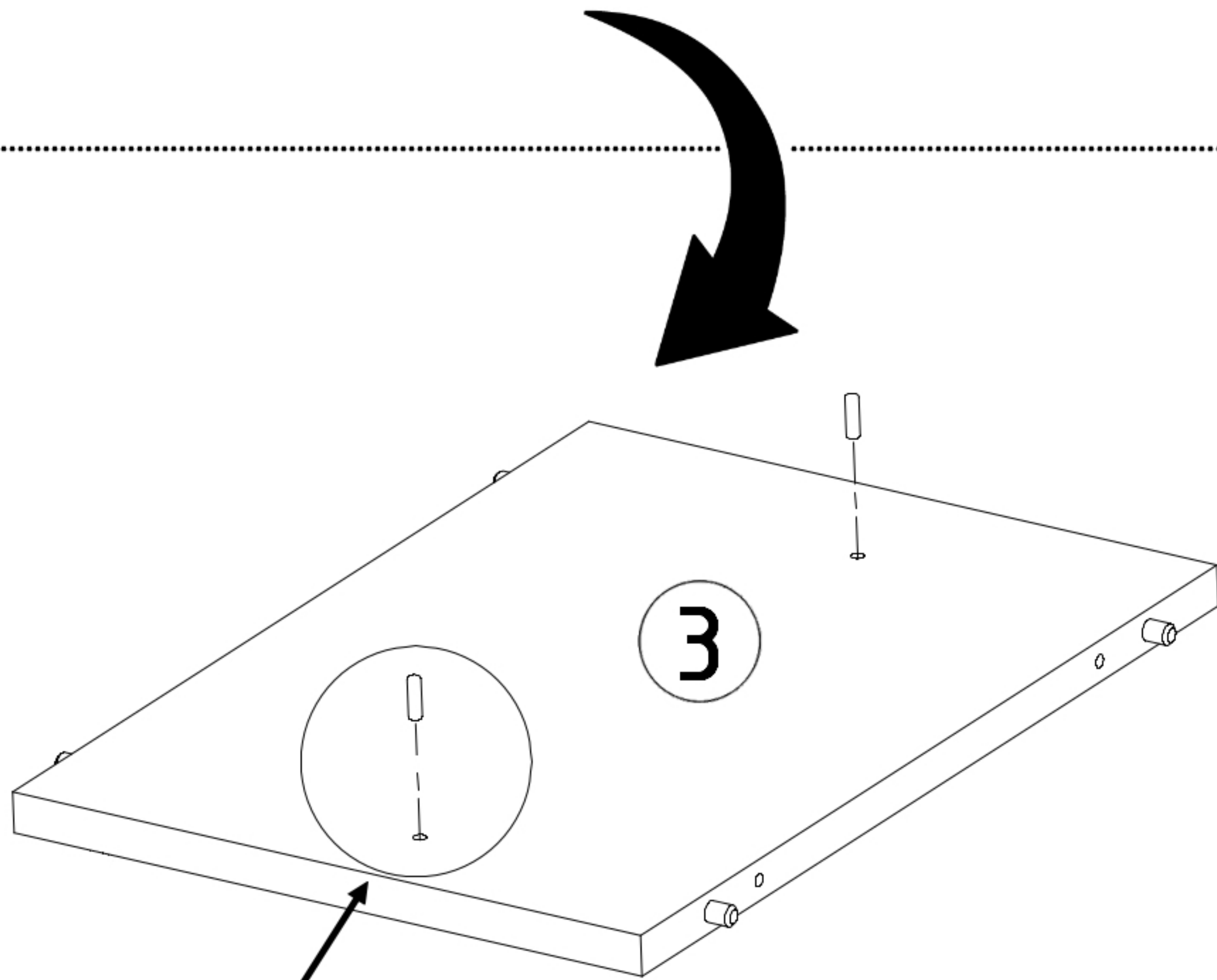


3

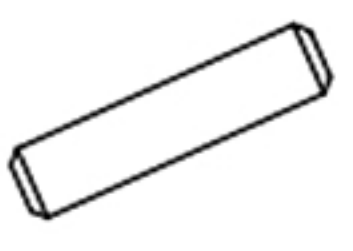


M3  x 2	N2  x 1	E1  x 4
--	--	--

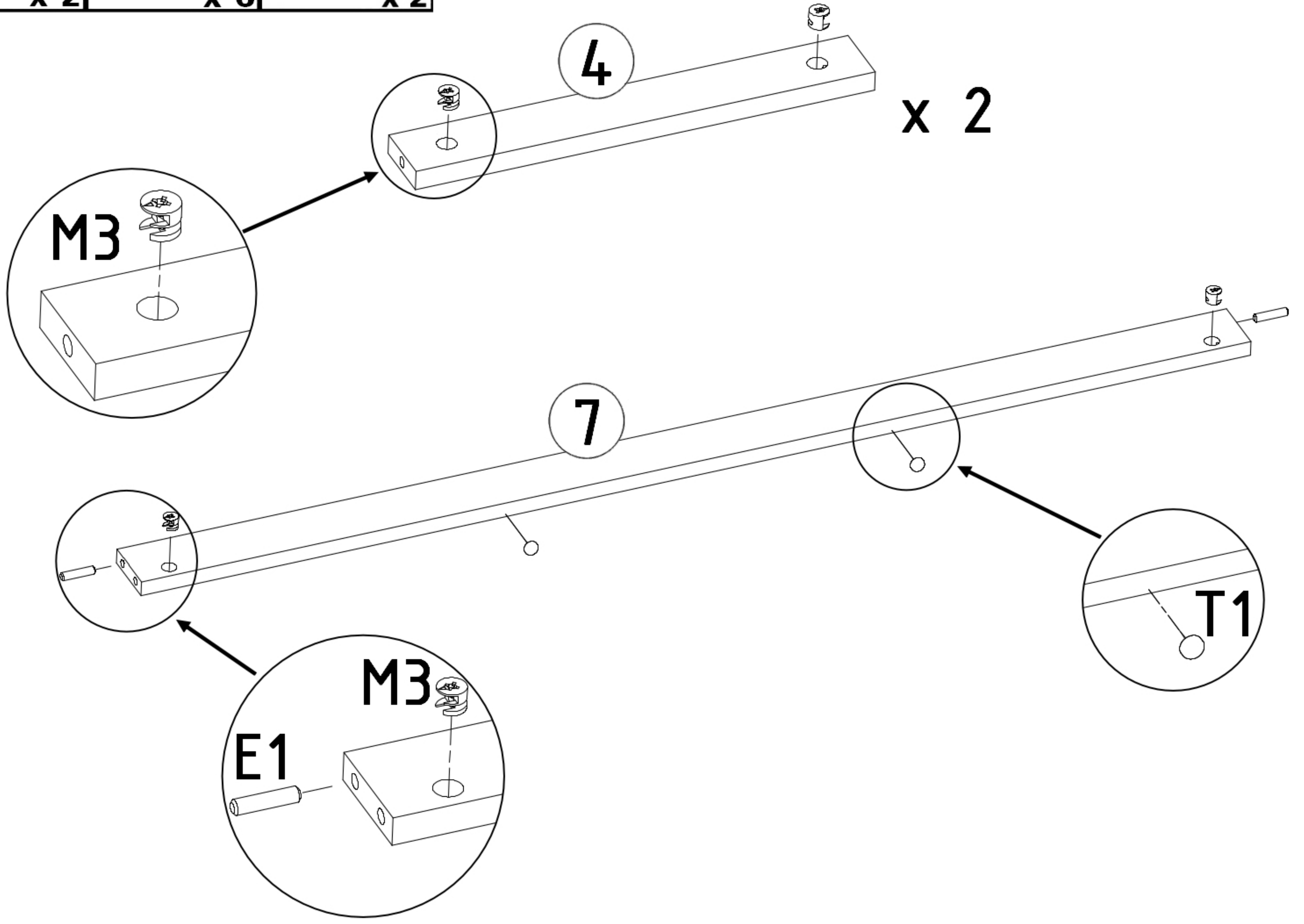


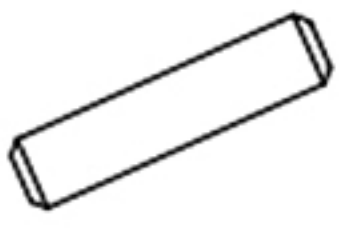

D2  x 2
--

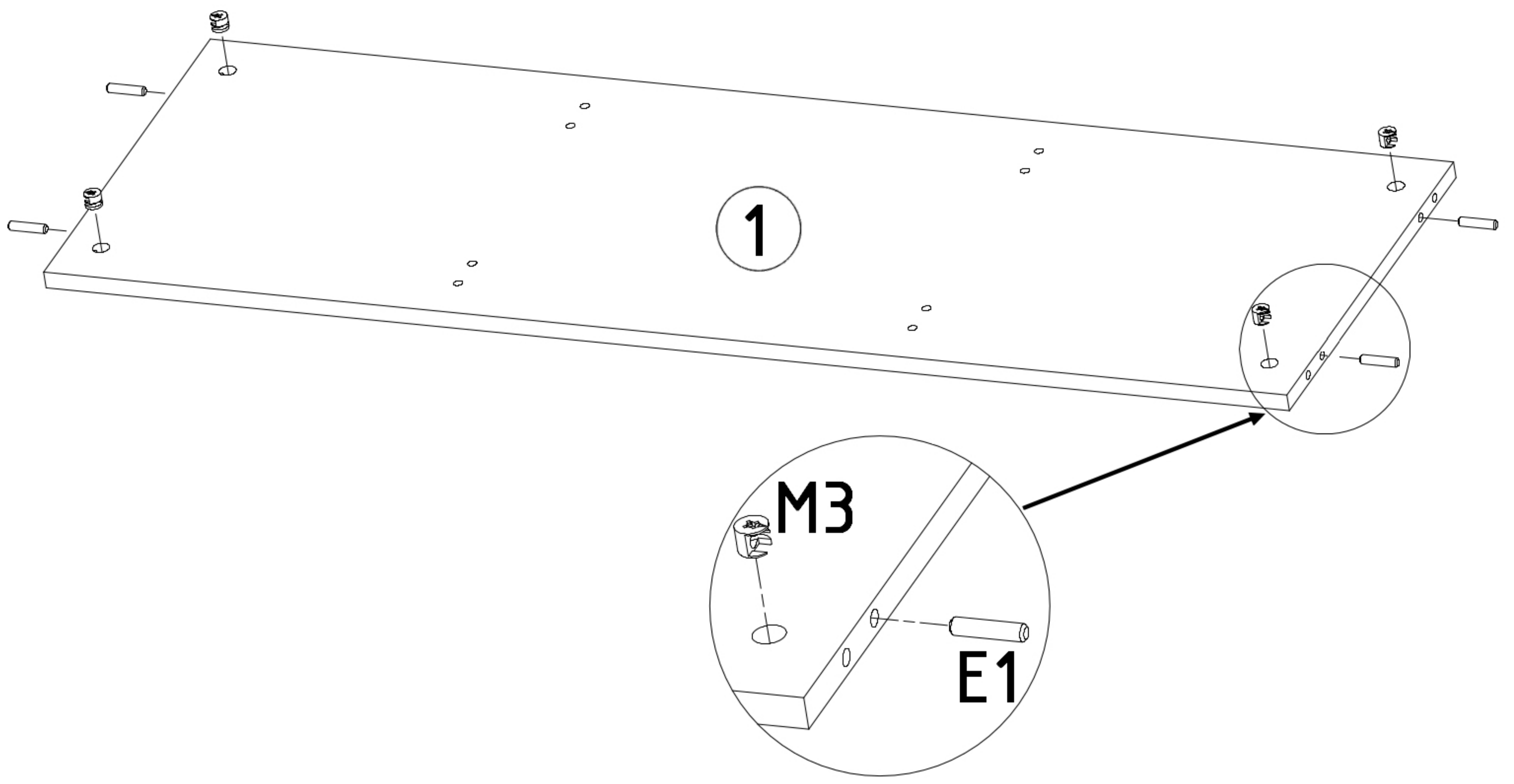


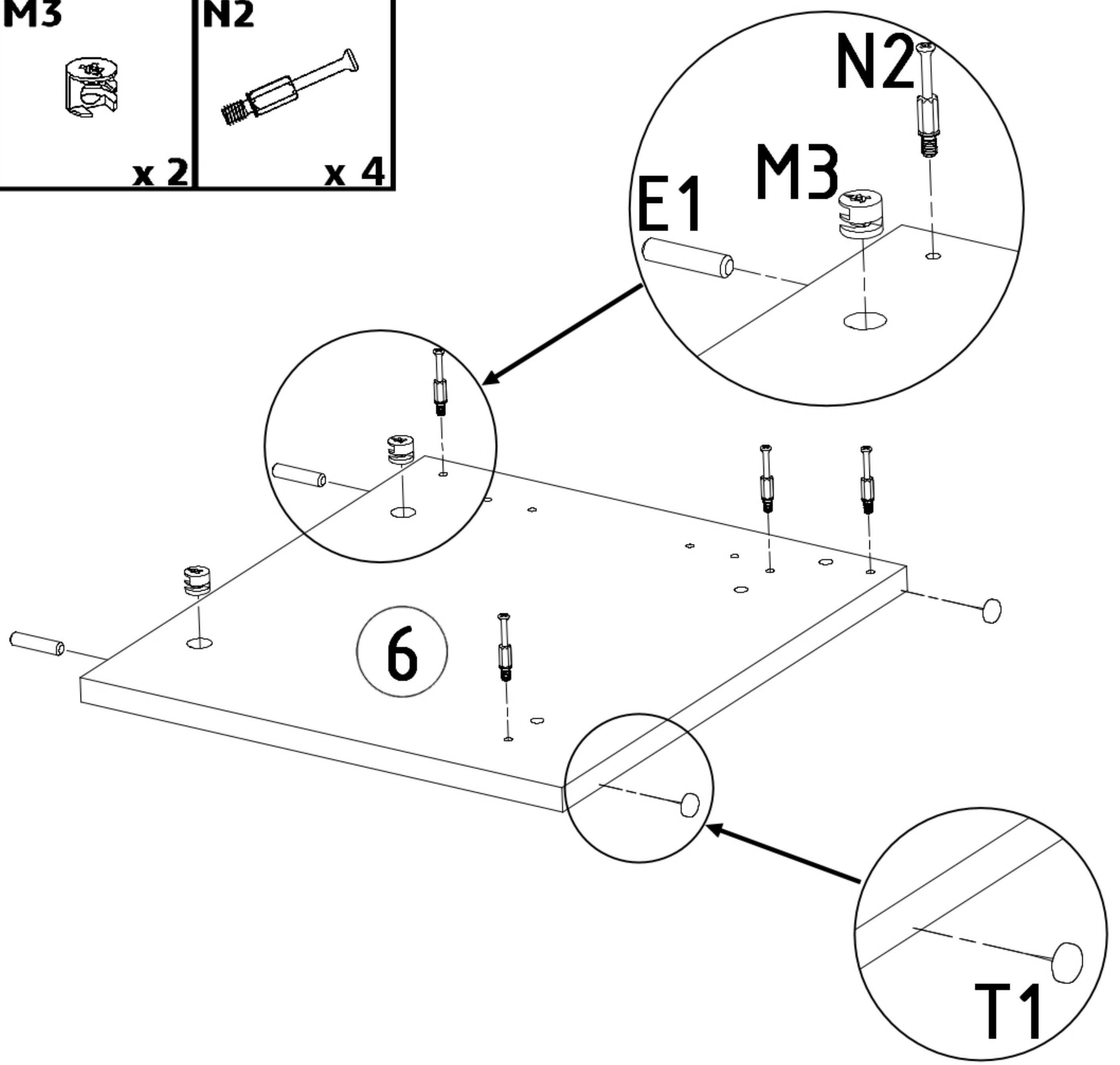
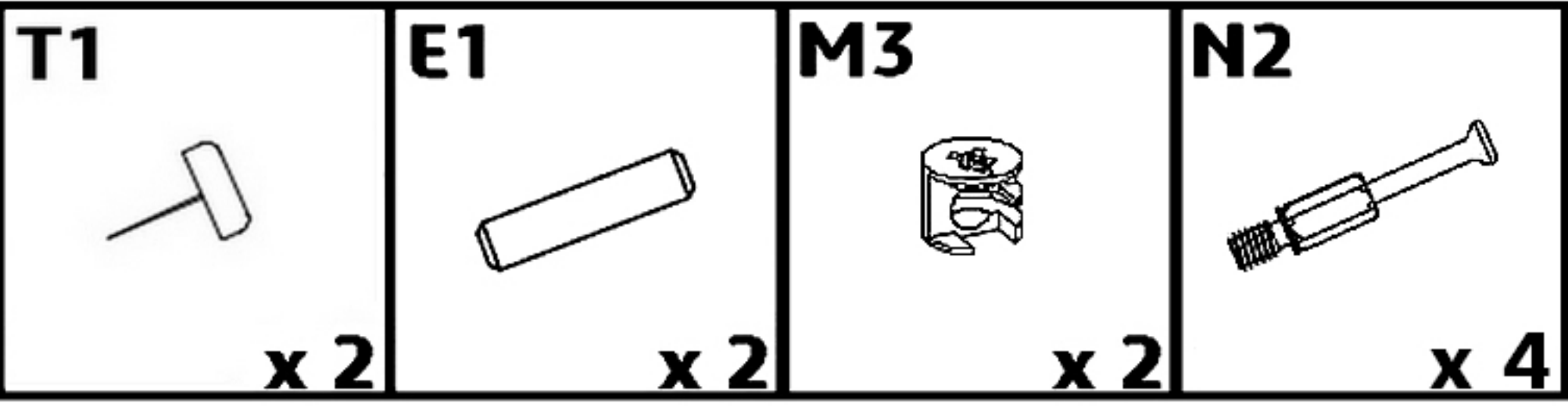
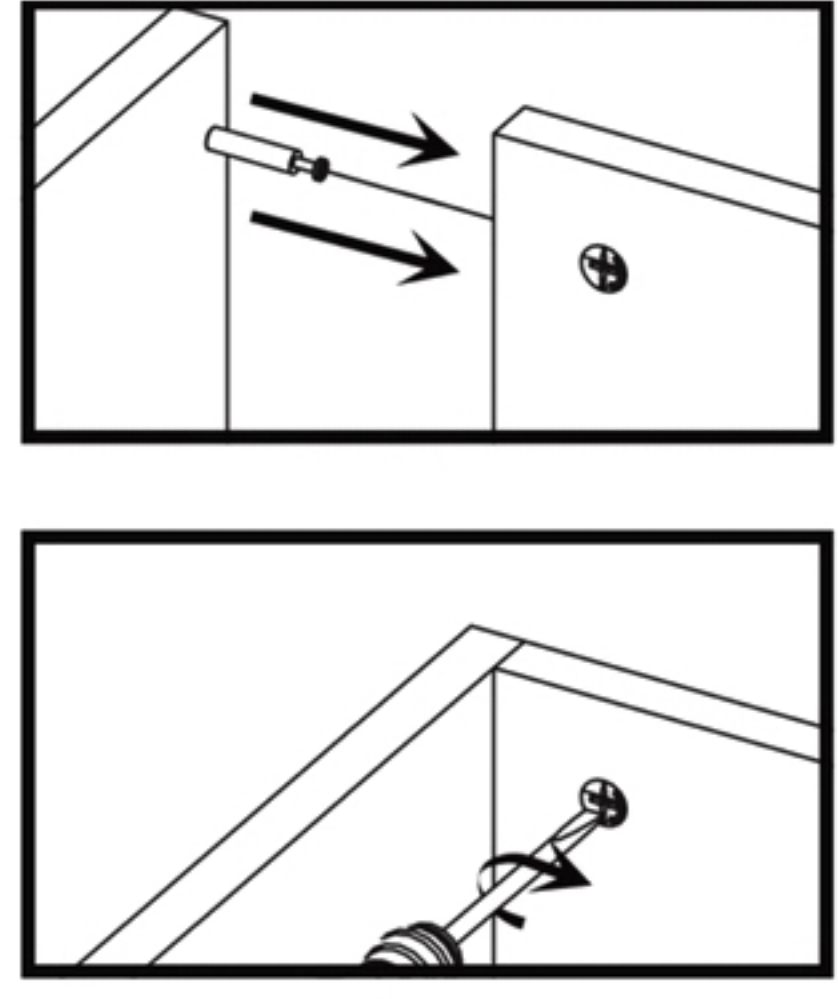
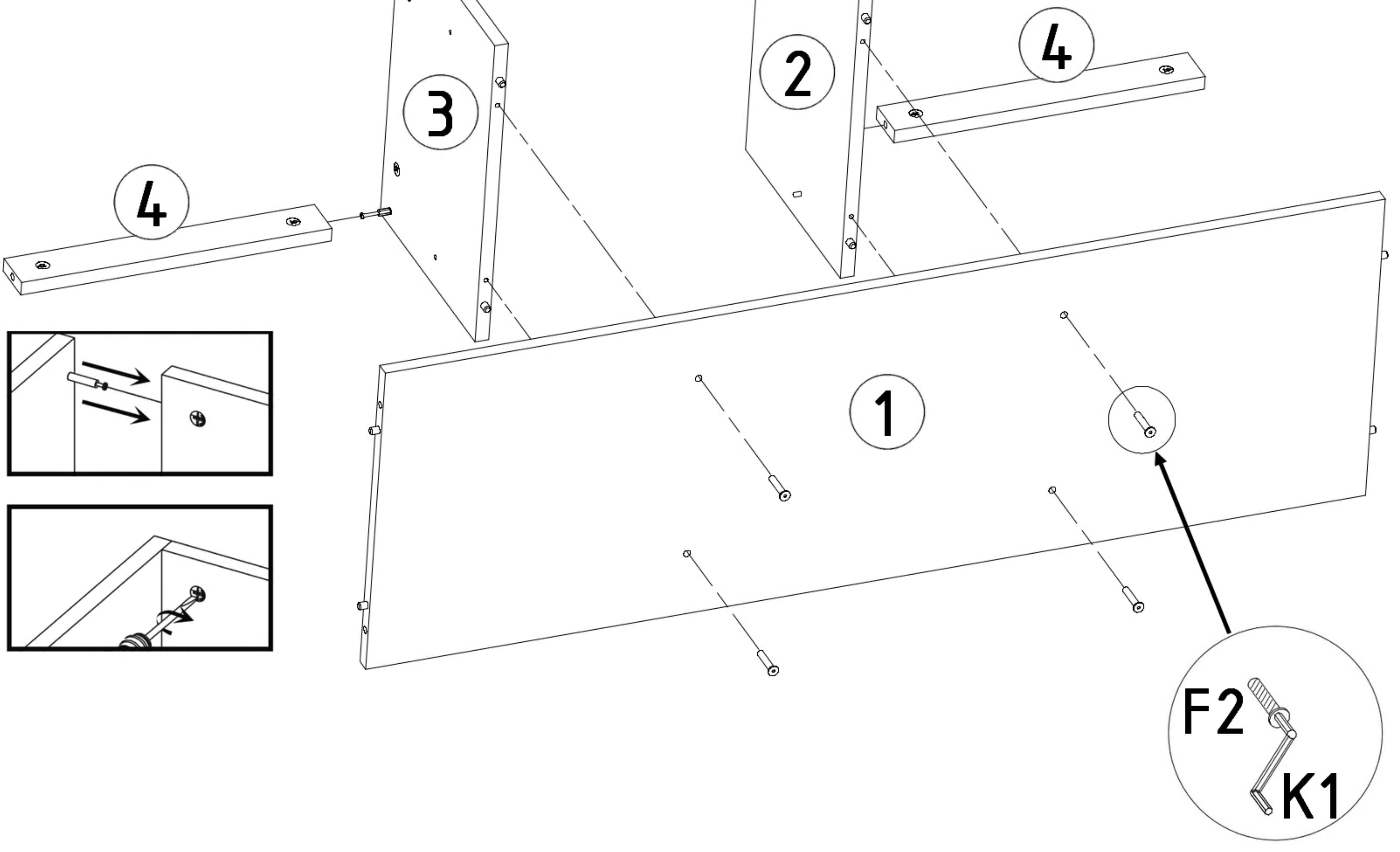
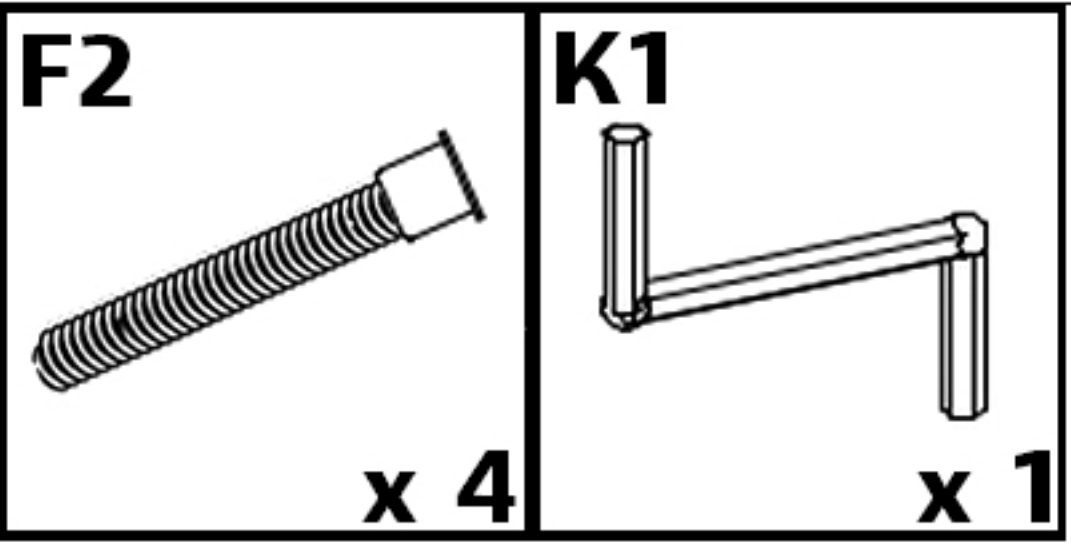
4





E1  x 2	M3  x 6	T1  x 2
--	---	---

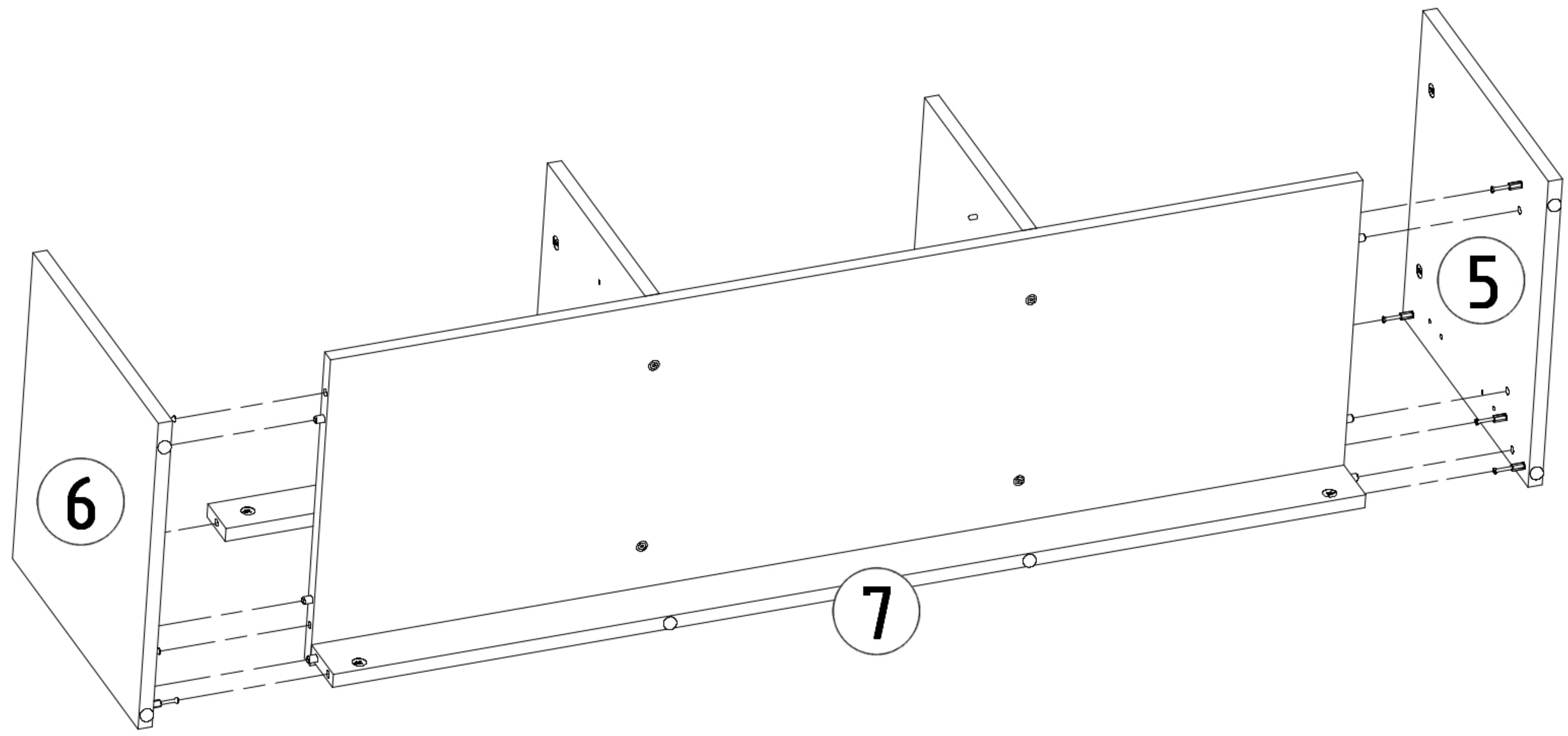
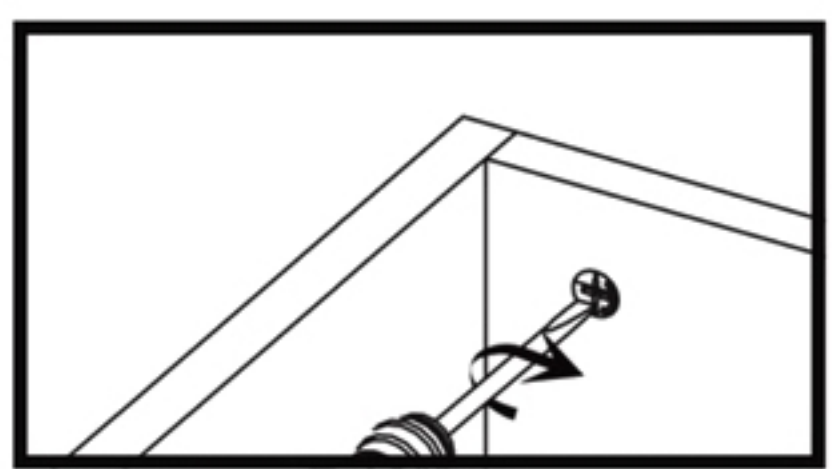
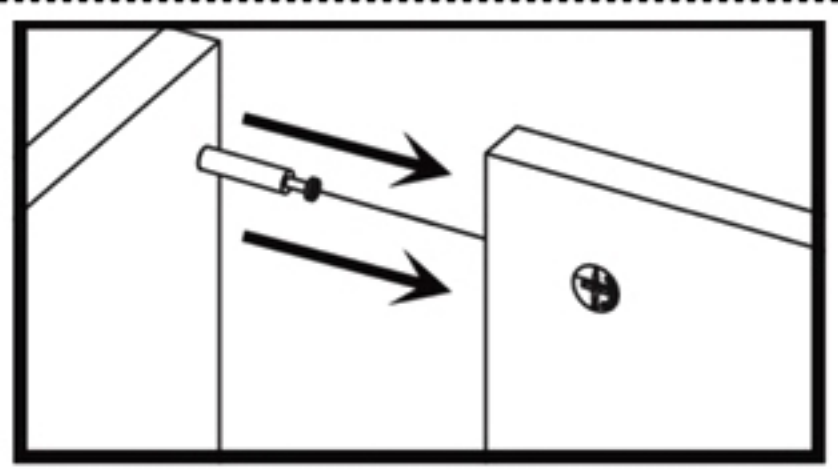
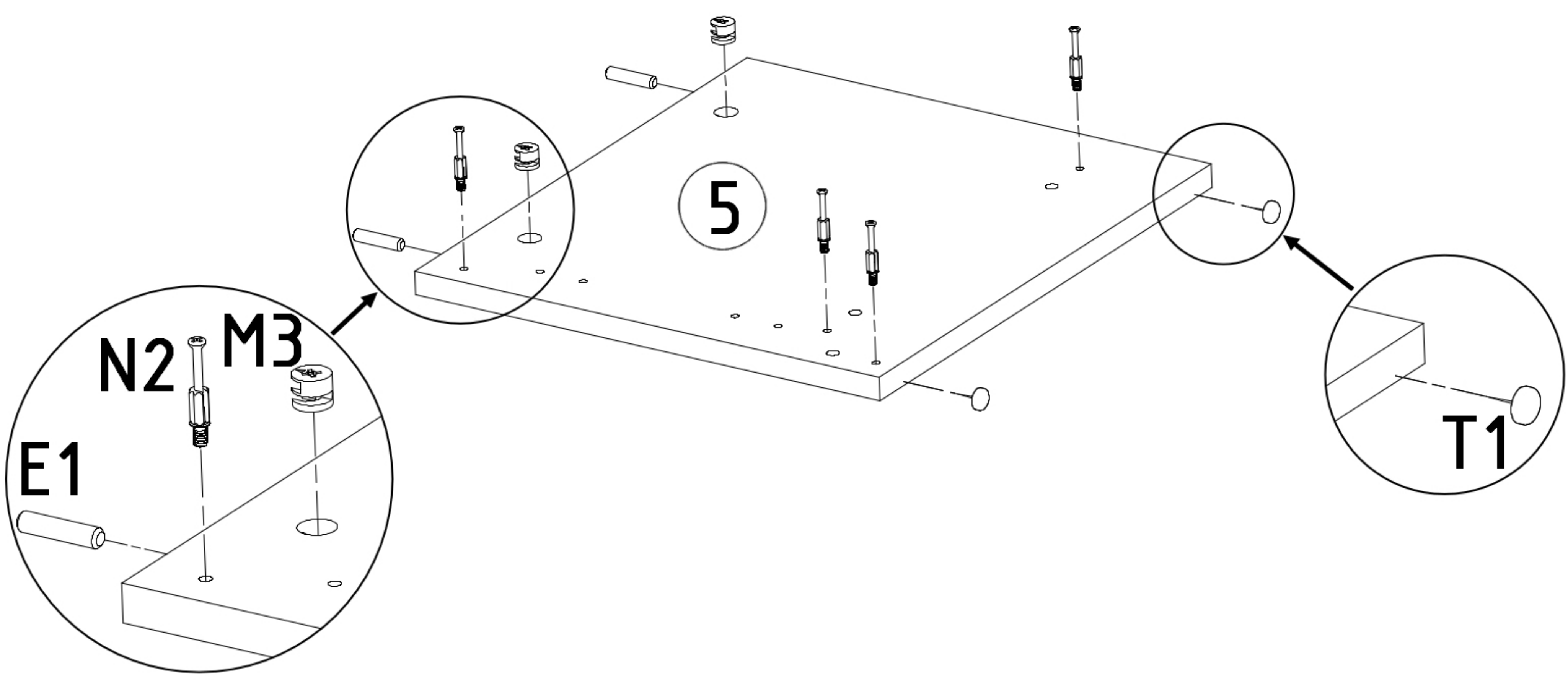


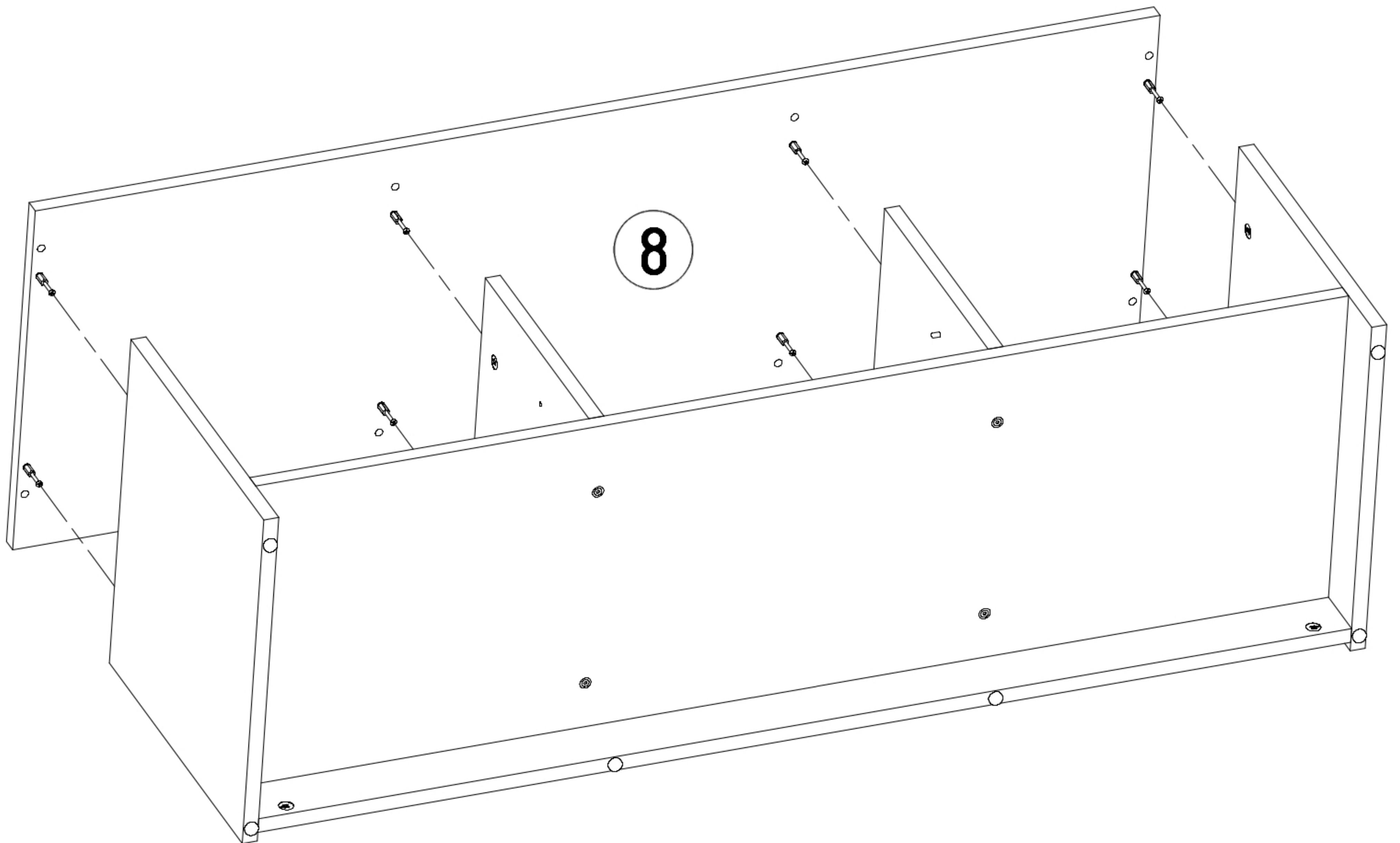
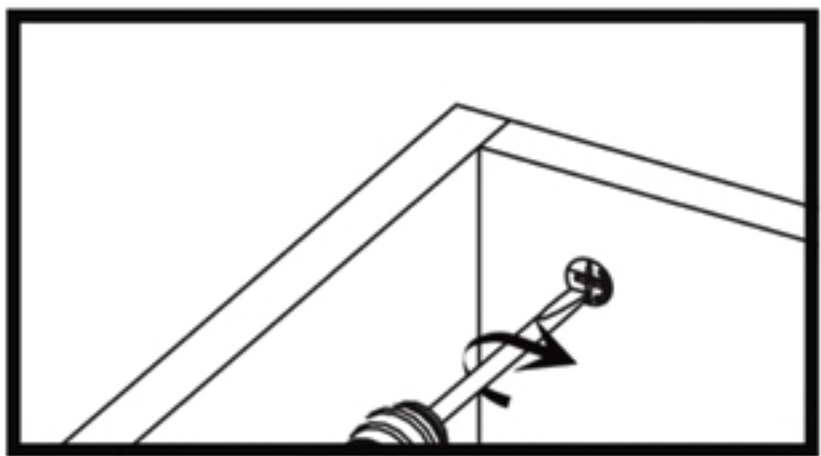
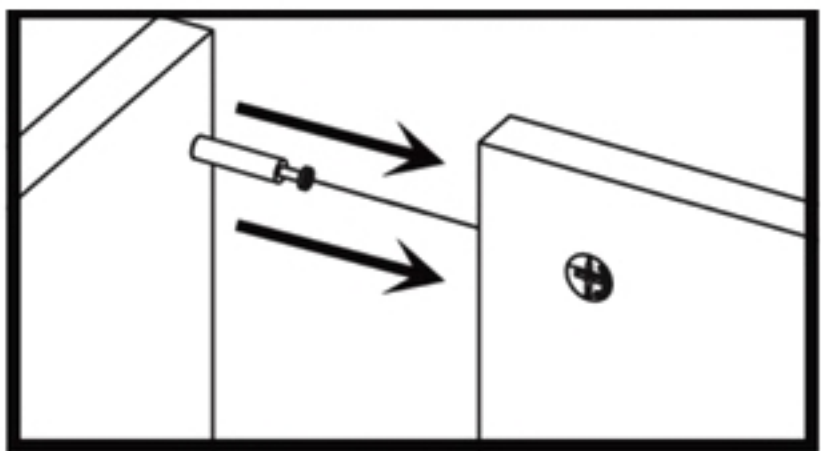
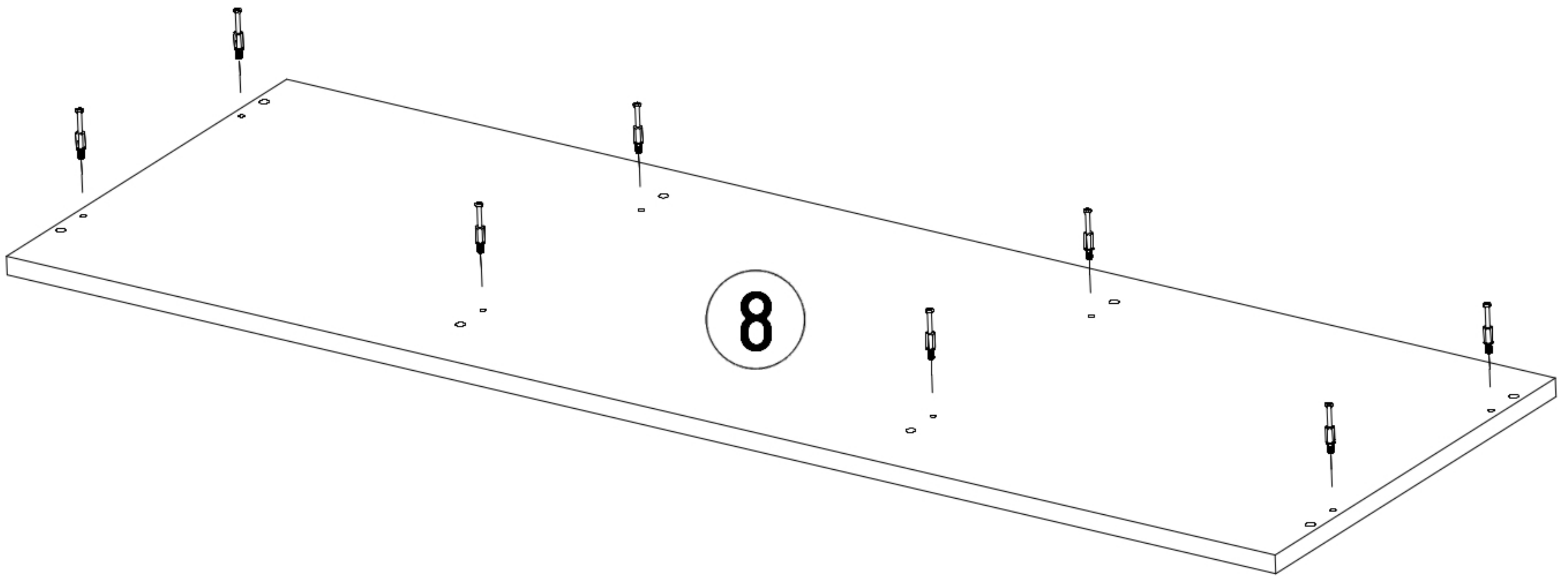
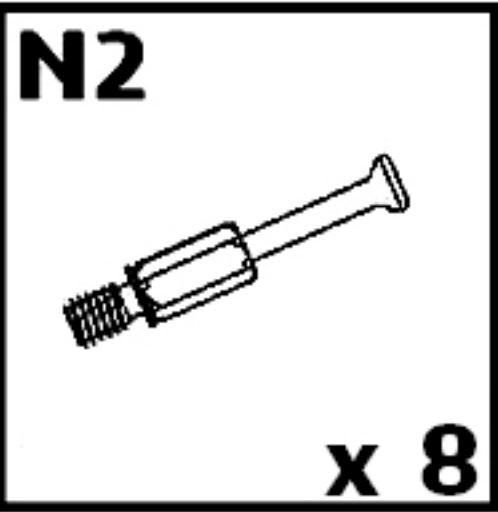
E1  x 4	M3  x 4
--	---



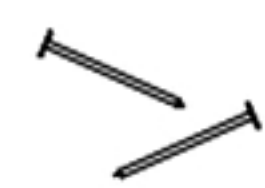


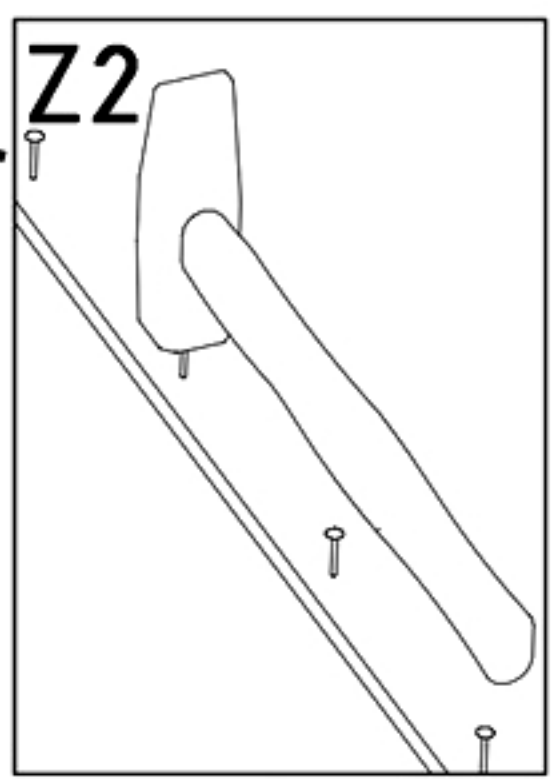
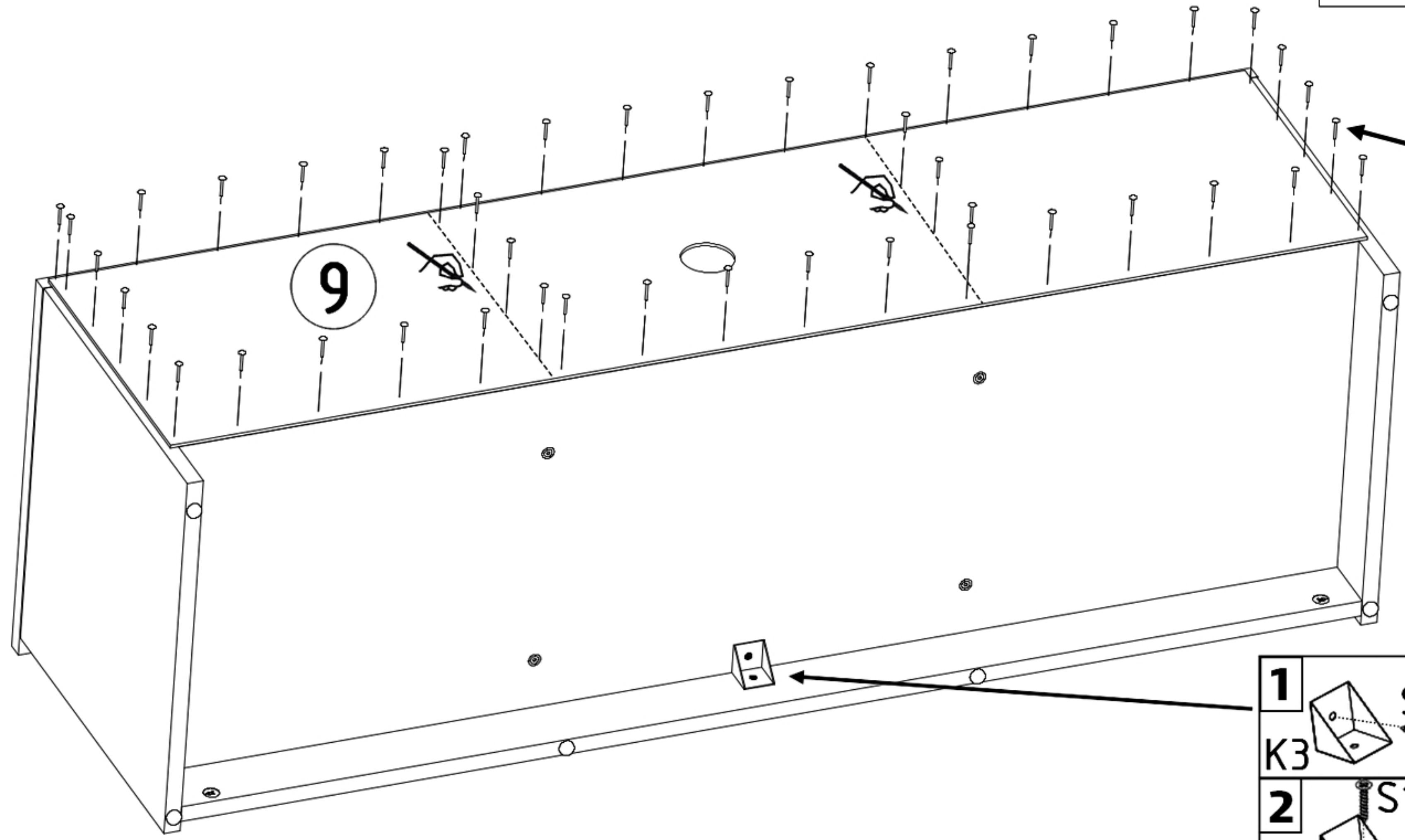
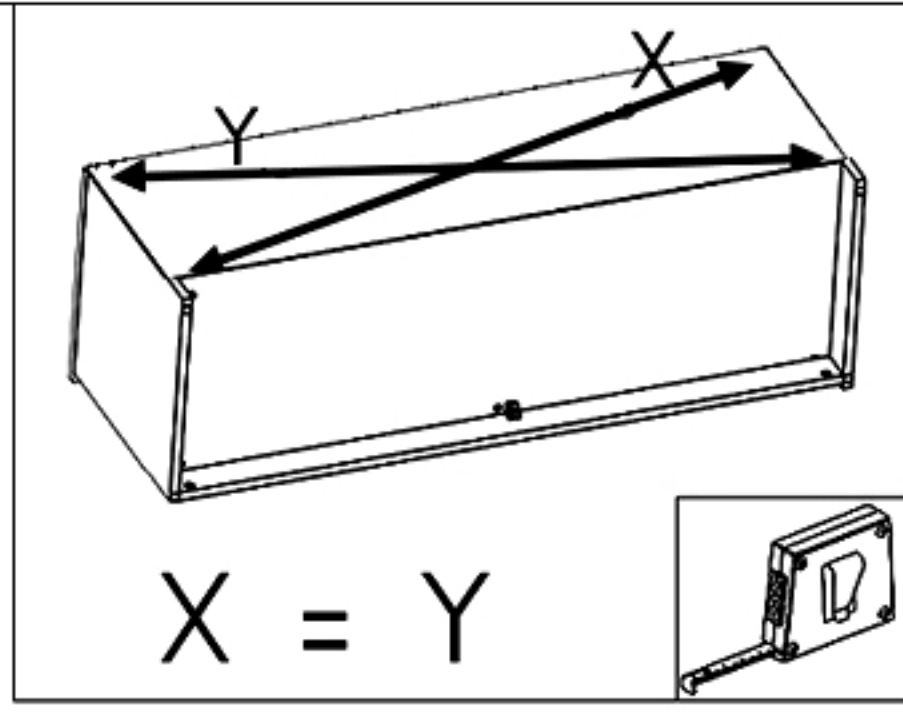




T1  x 2	E1  x 2	M3  x 2	N2  x 4
---	--	--	--

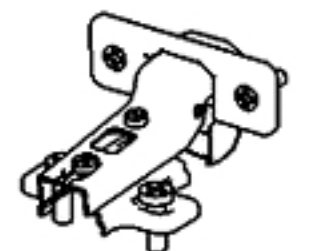



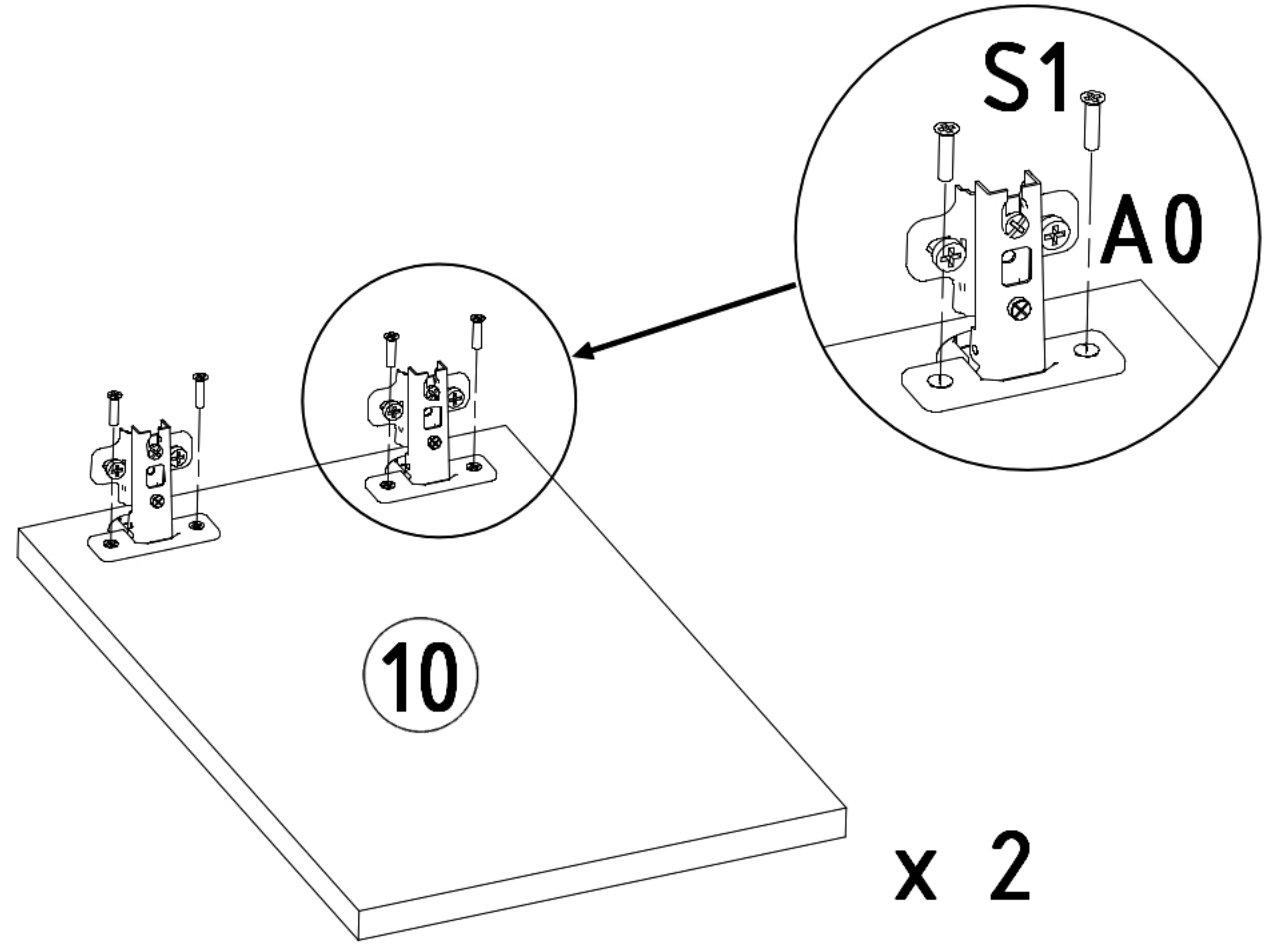


K3 	S1 	Z2 
x 1	3,5x16	x 2
		x 50

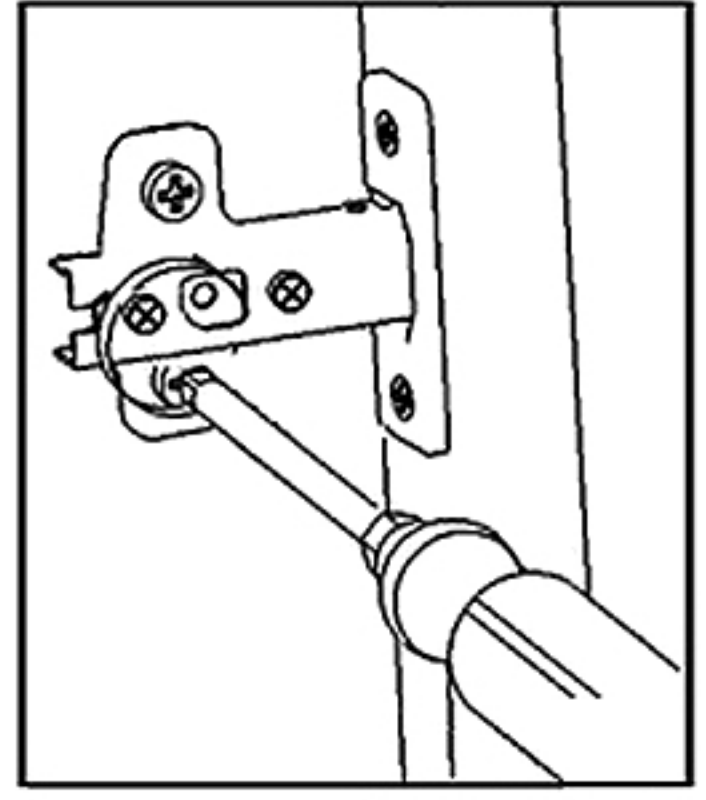


1		S1
K3		
2		S1
K3		

A0 	S1 
x 4	3,5x16
	x 8



M2
x 4



M3 M2

