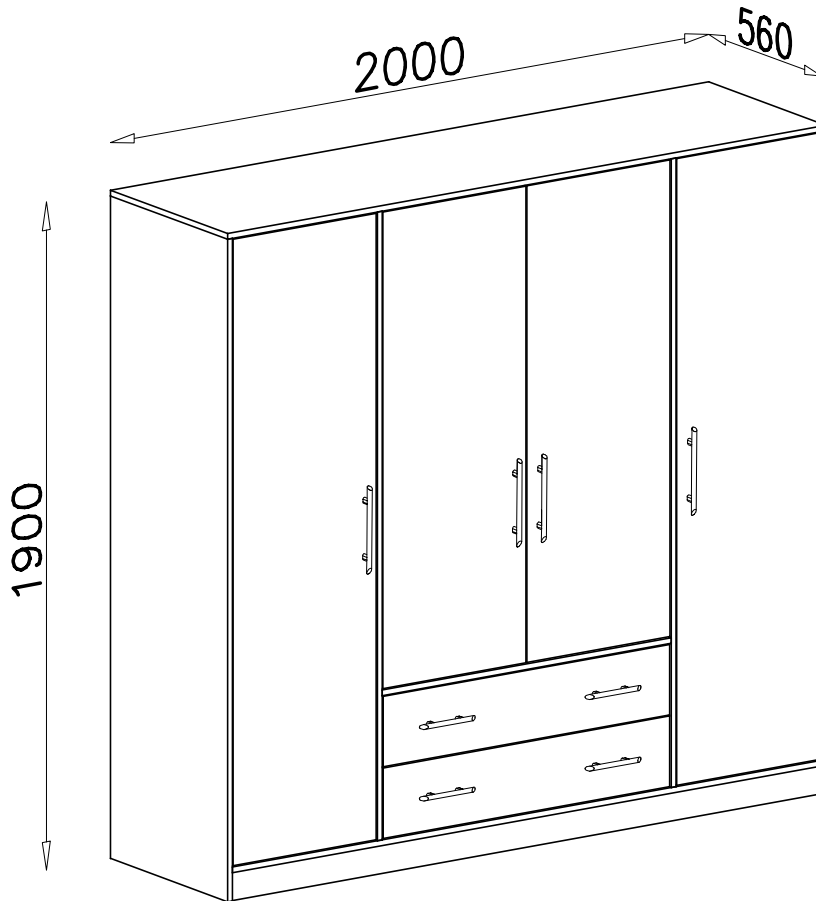
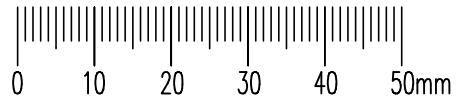
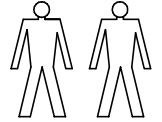
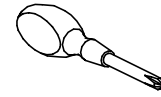
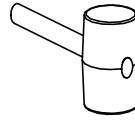
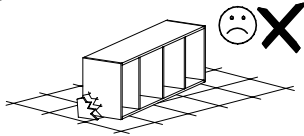
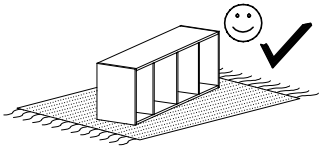
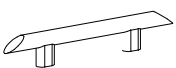
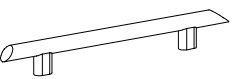


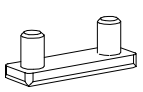
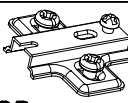
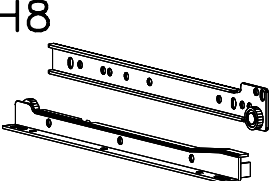


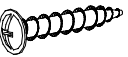
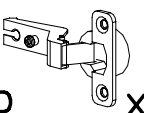


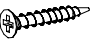


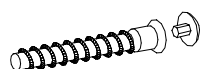

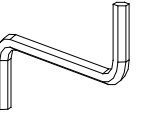

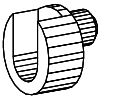
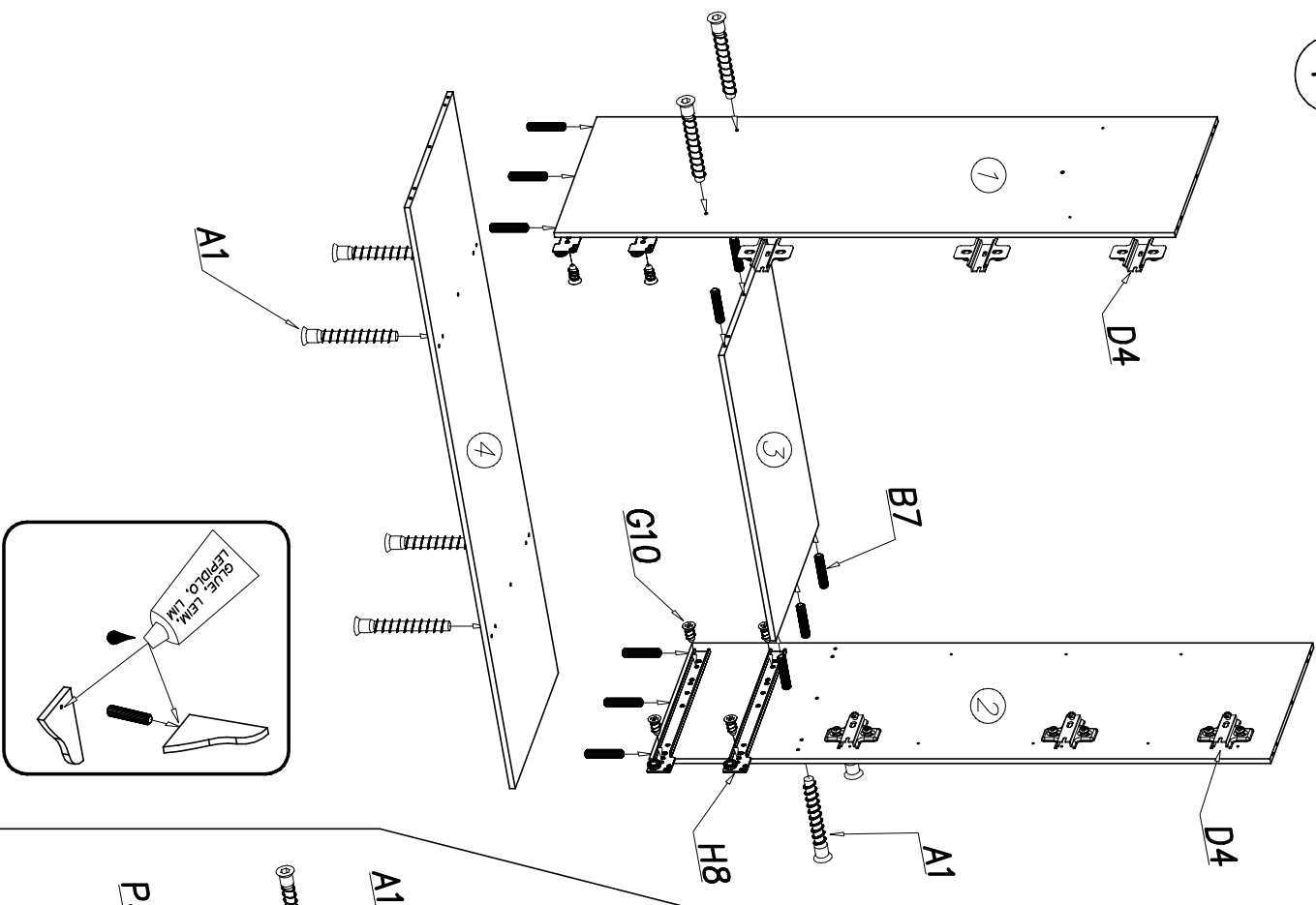


SMART SR1/SRL1

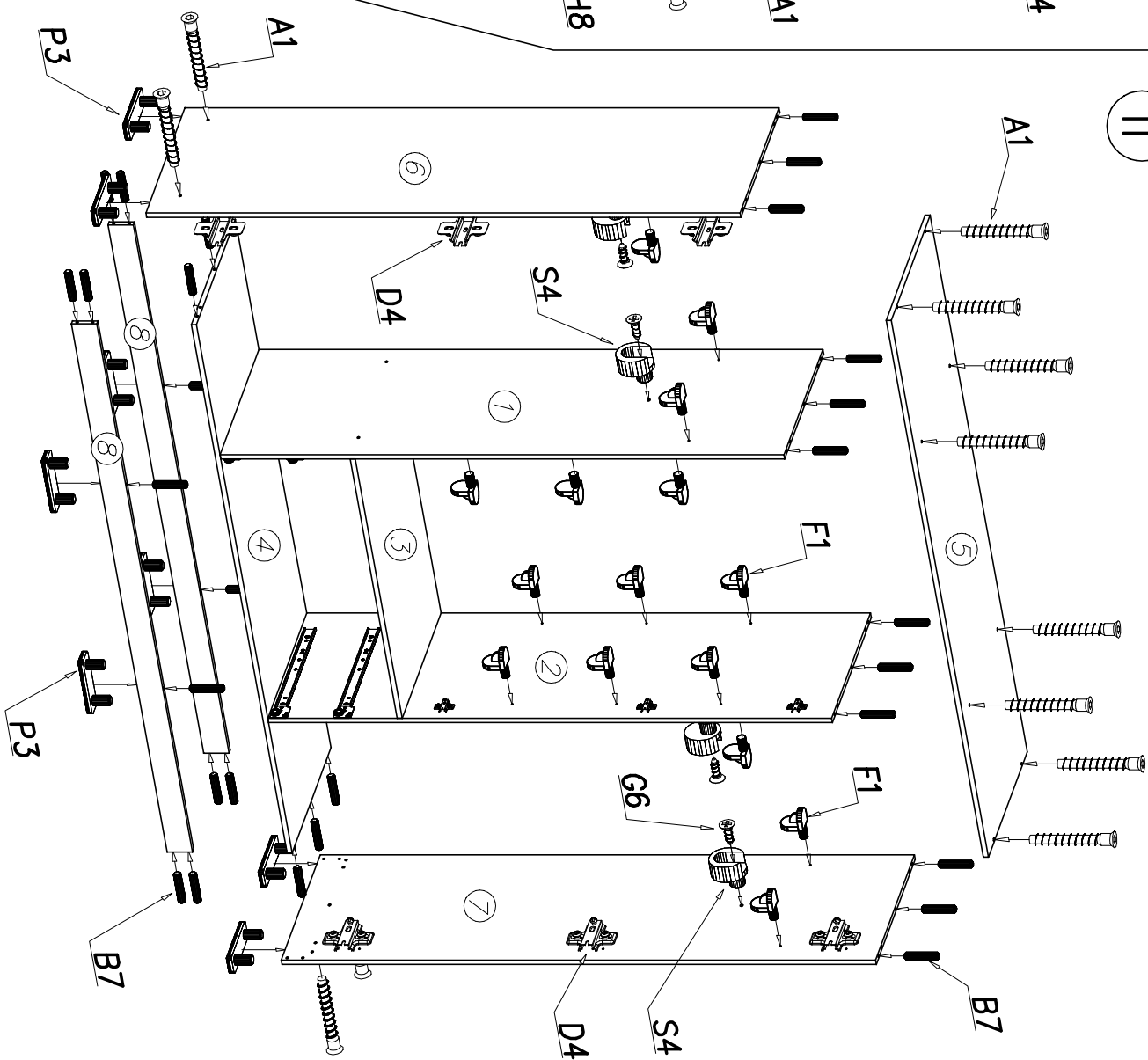


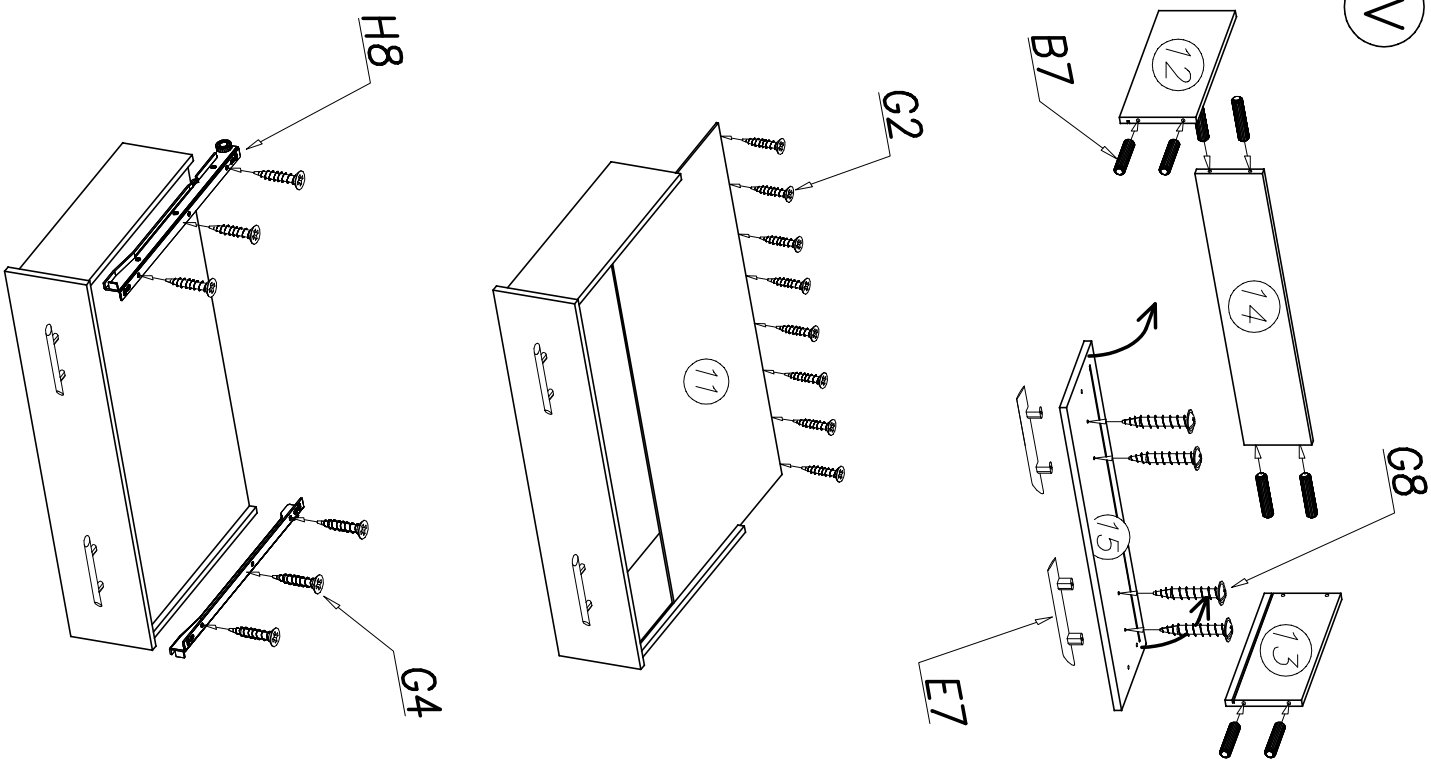
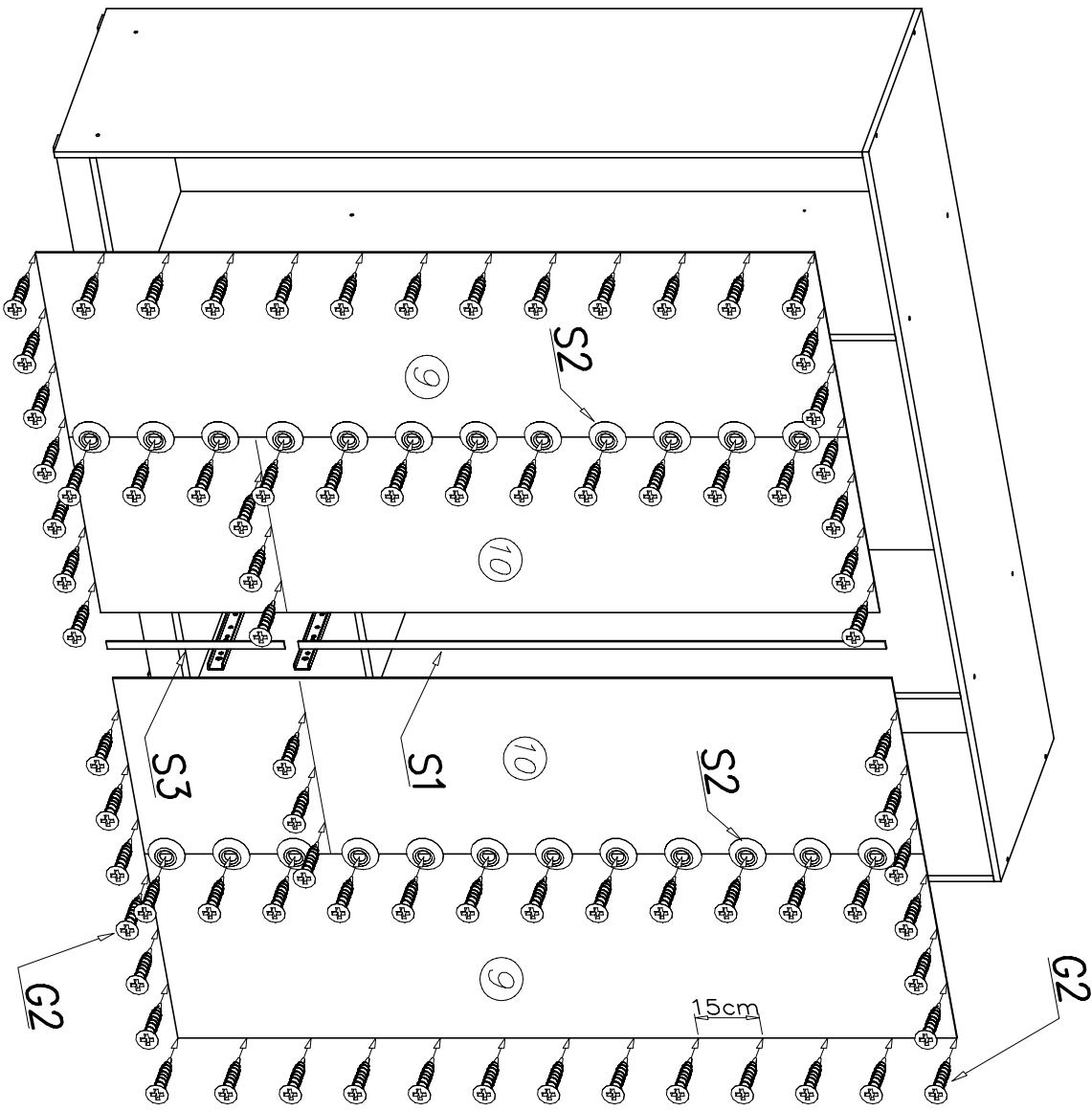
				E7  x4		E6  x4	
S3  407mm x1	S1  1355mm x1	P3  x8		D4  PZ350D x12		H8  500mm x2	
S2  x24	W1  GLUE, LEIM, LEPIDLO, LIM x3	G8  4x30 x16		C4  Z350D x12			
S5  475mm x2	G4  4x16 x36	G2  3x20 x100		G6  3x13 x4		G10  6x13 x8	
A1  ø7x50 x20	B7  ø8x30 x58	W2  x1		F1  x20		S4  x4	

I

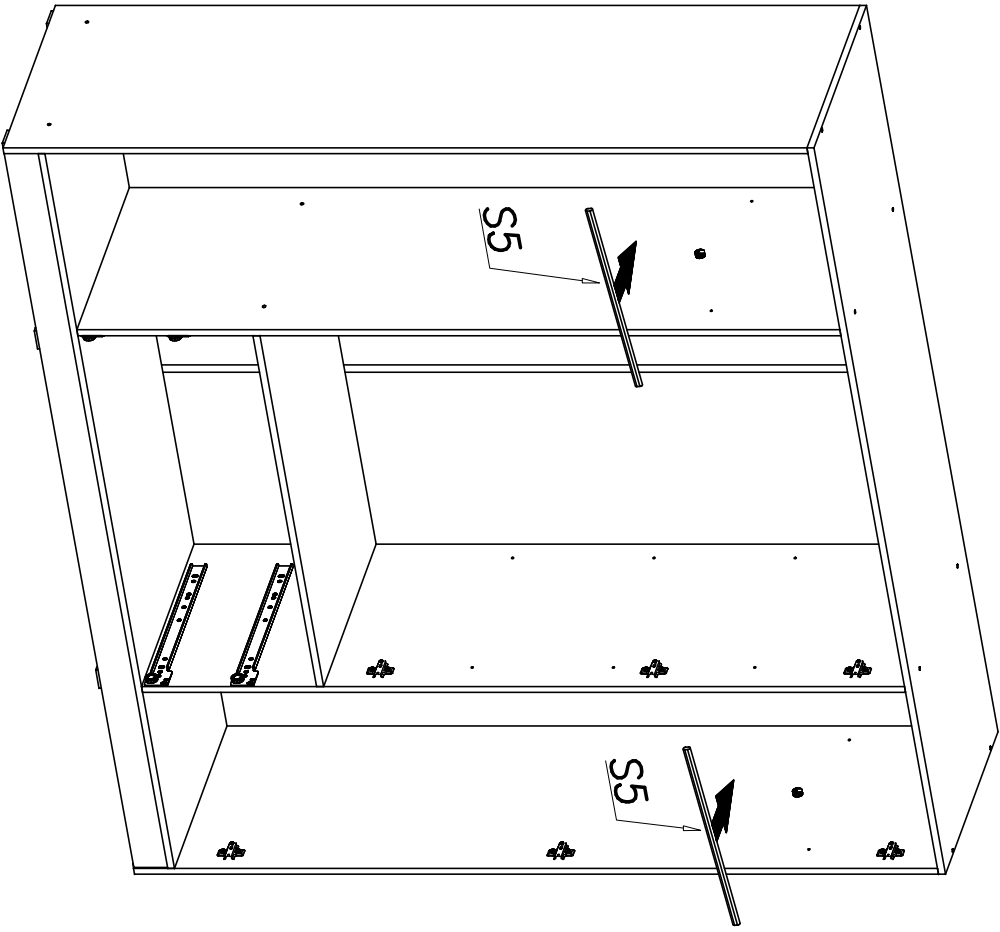


II





V



VI

