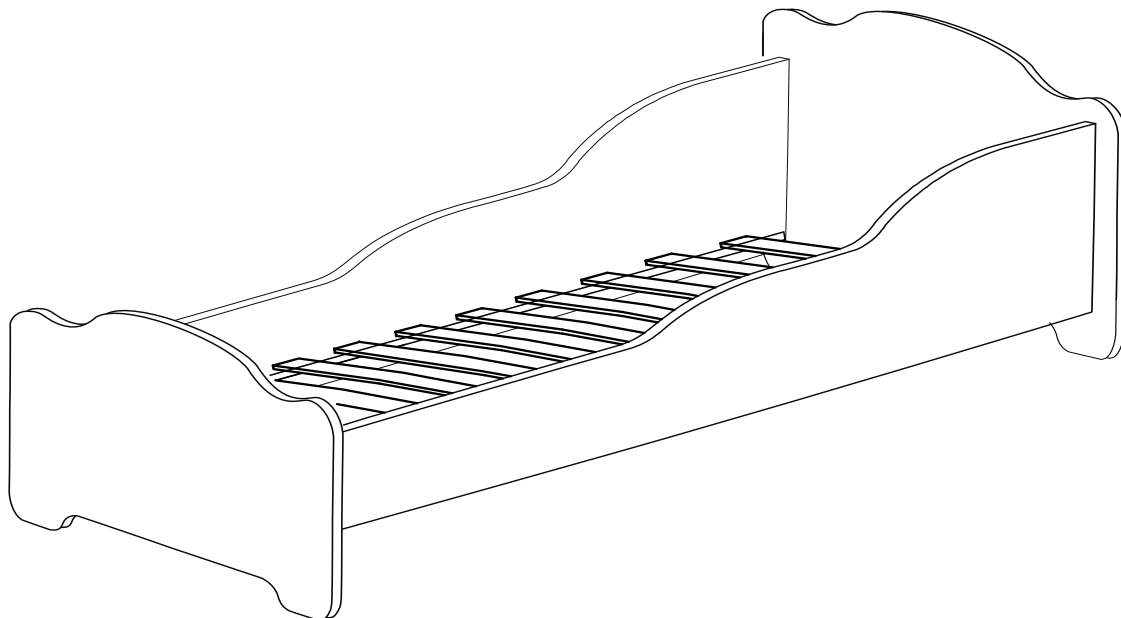
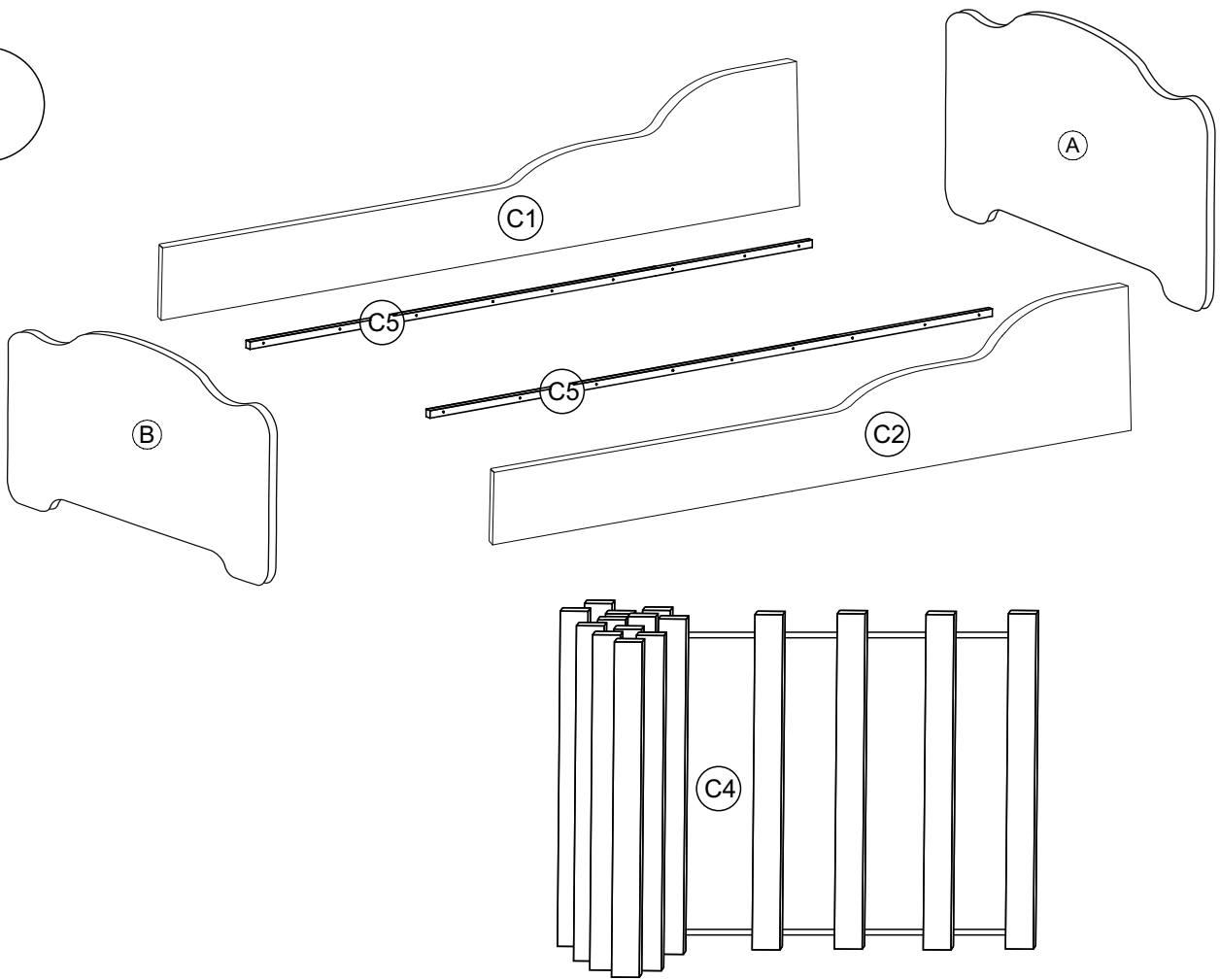


1

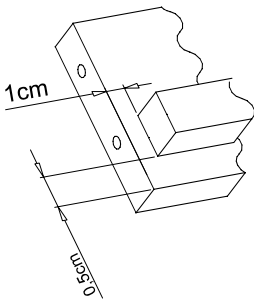



S1		10
S2		10
S3 3,5x20		6
S4		1
S5 4,0x30		18
S6		4

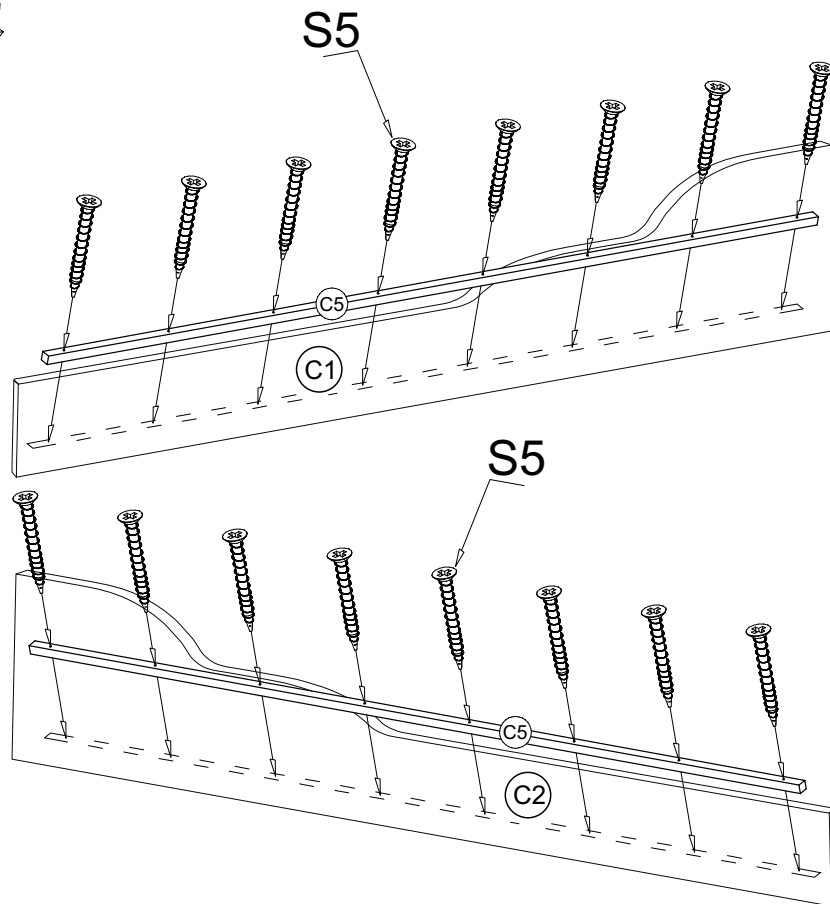
2



3

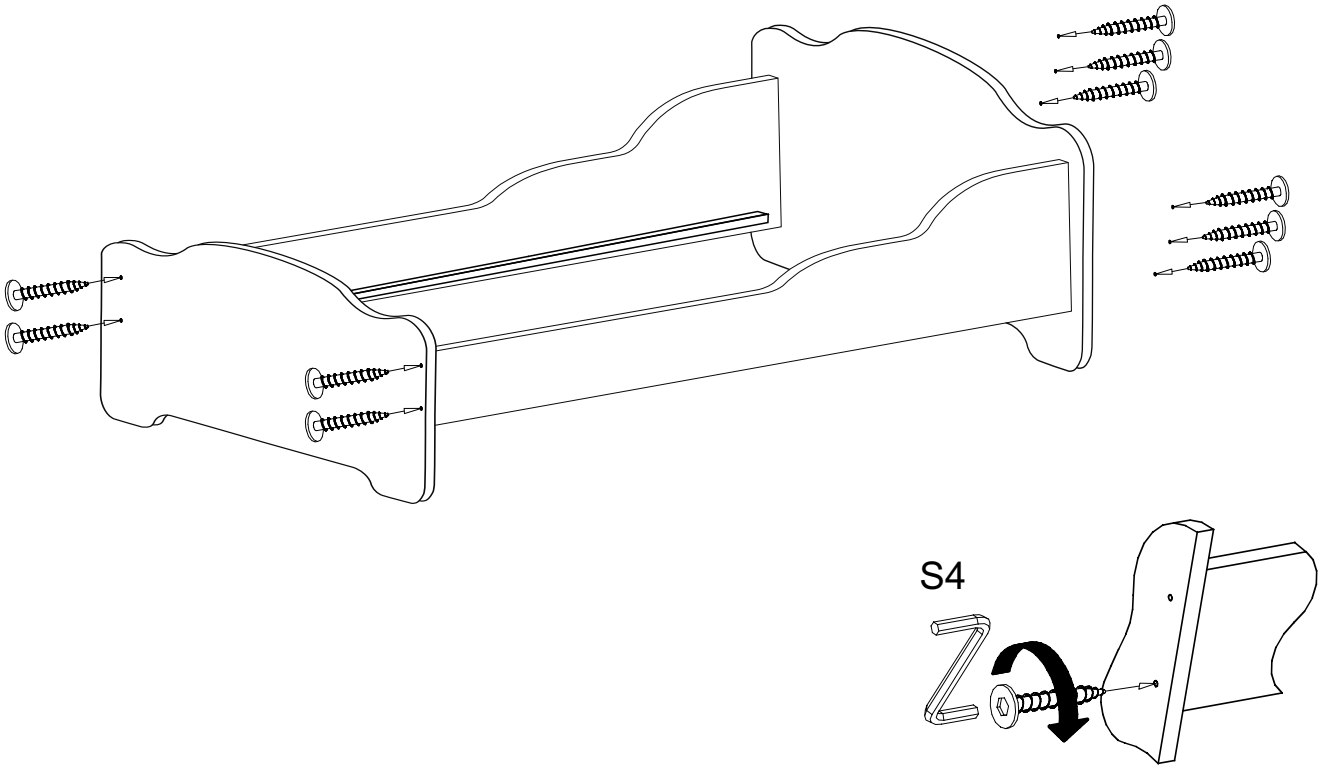


S5 
4,0x30 x18



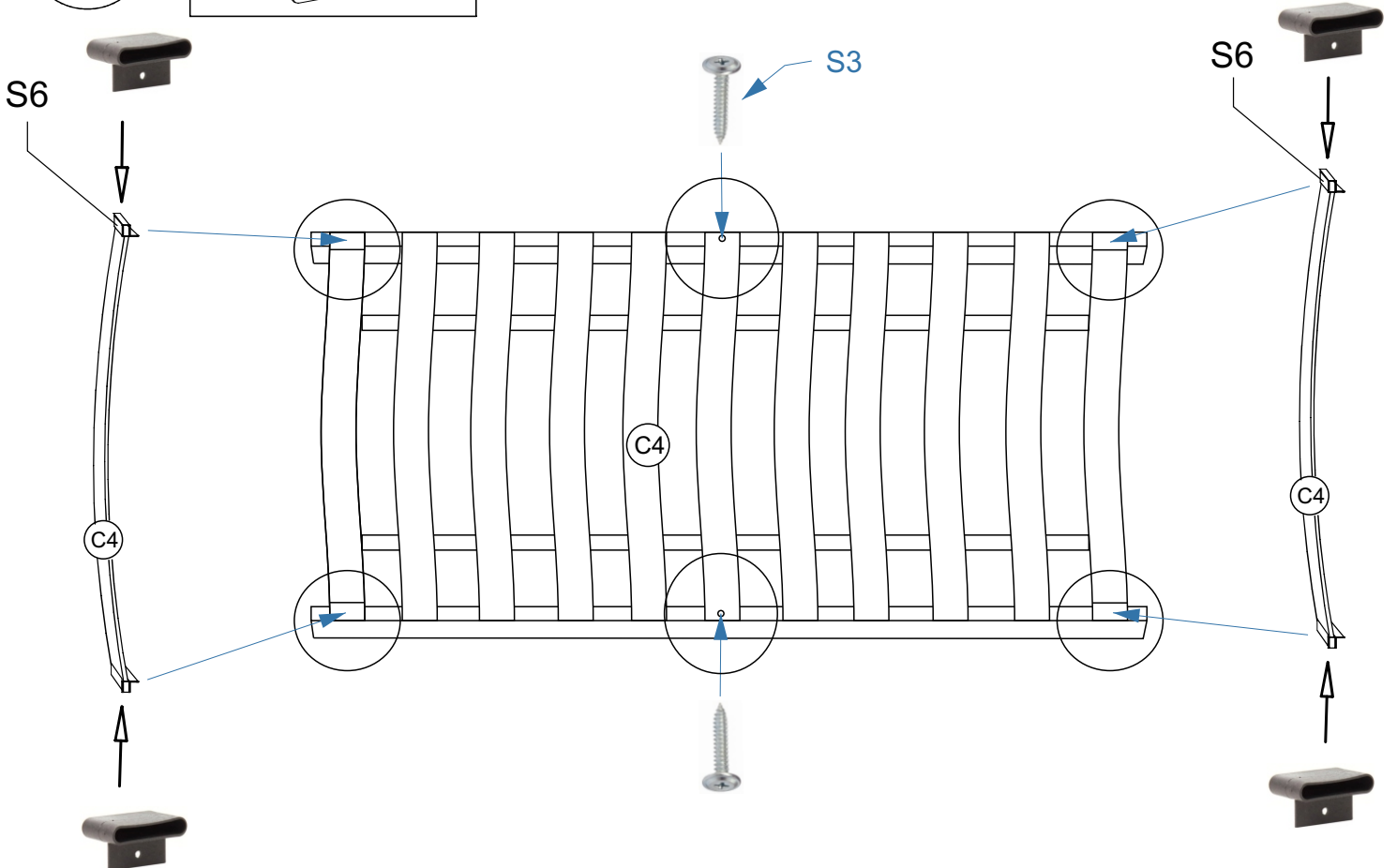
4

S1 x10



5

S6 60mm x4



6

S3
3,5x20 x6

