

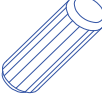
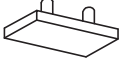


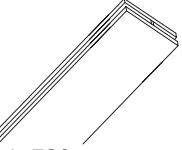
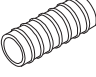
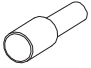



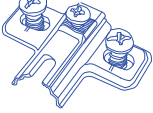
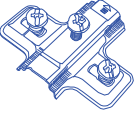
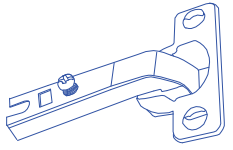
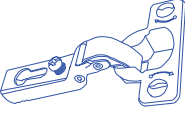

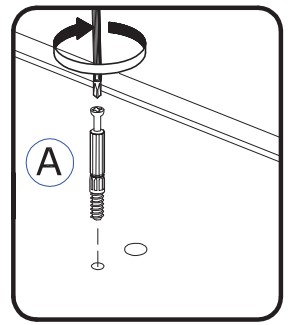
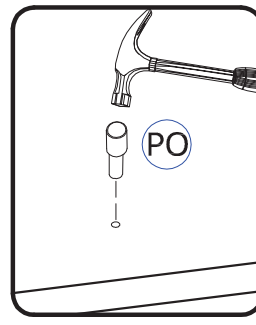
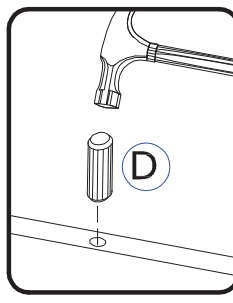
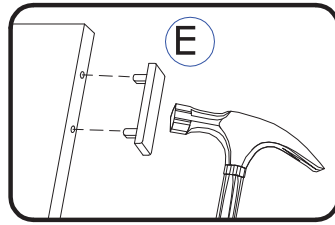
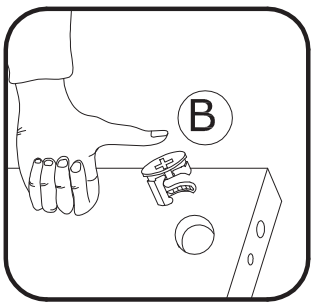
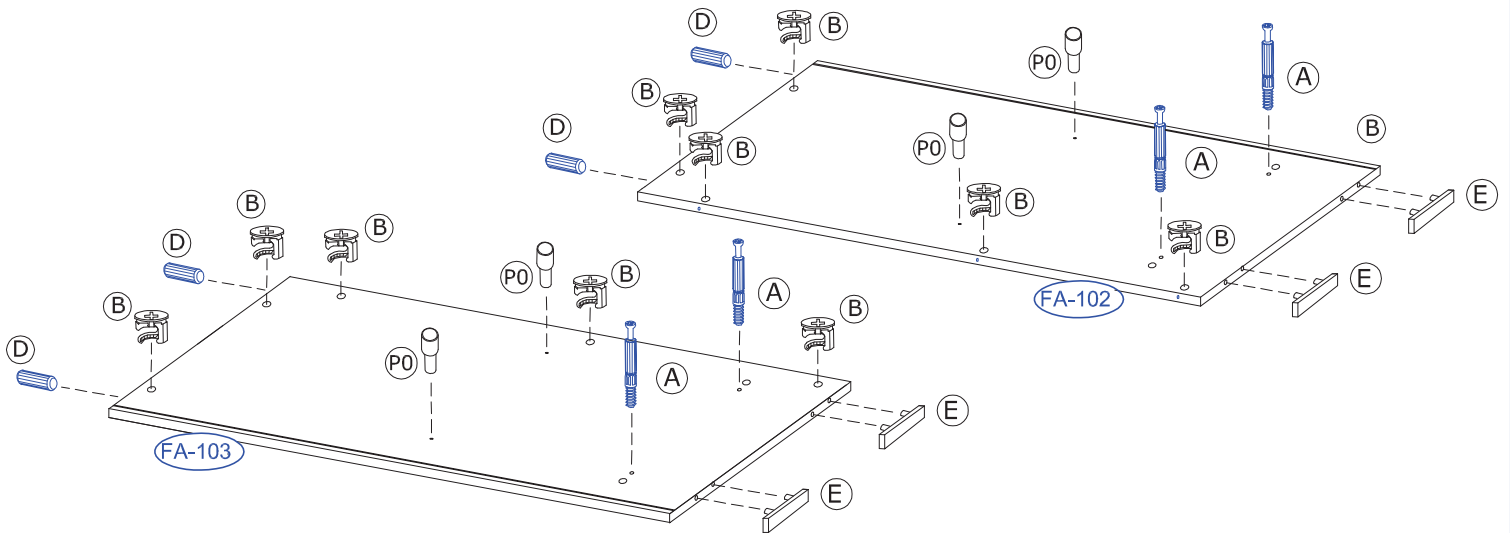
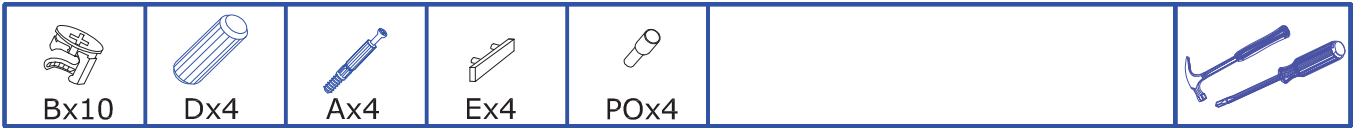
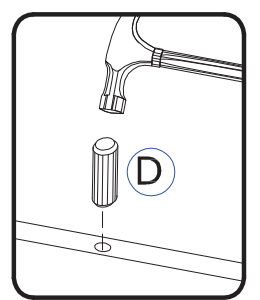
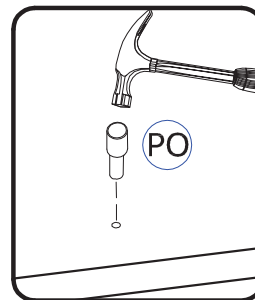
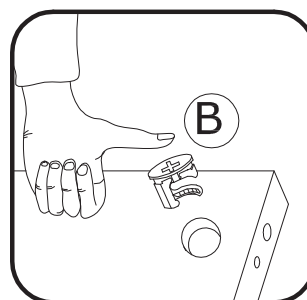
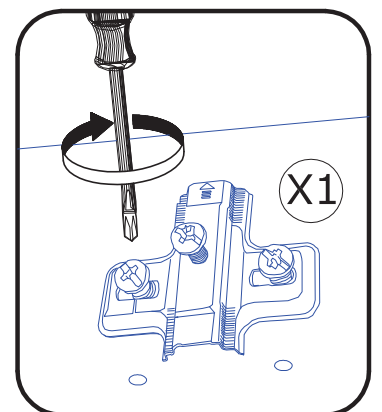
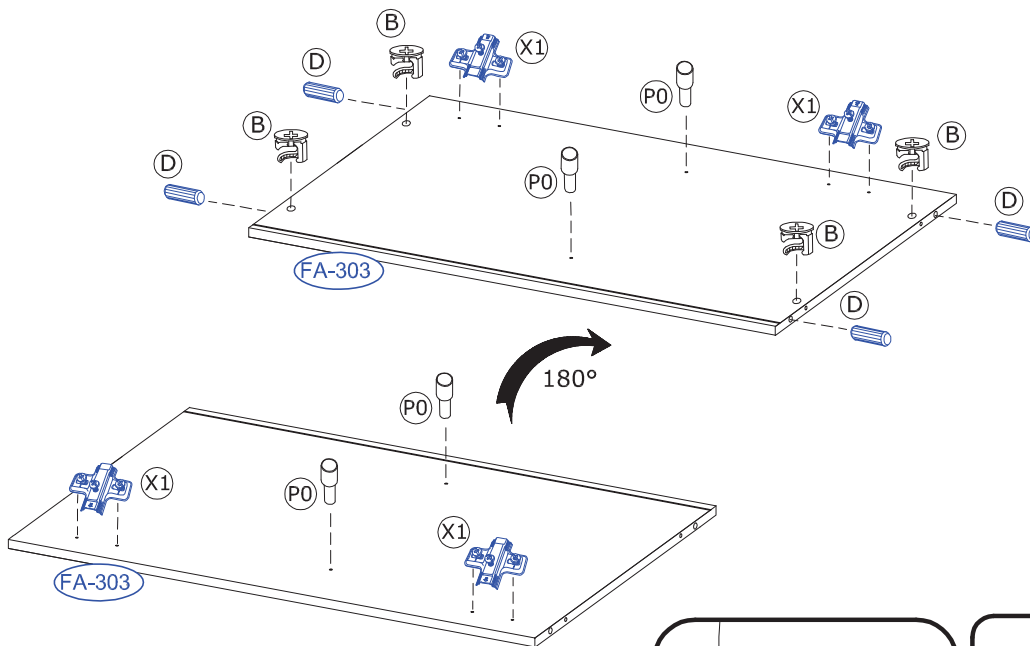
 A-20	 B-20	 C-20	 Ø8x30mm D-20	 E-10
 Ø3,5x16mm H-8	 KL	 L-739 L-2	 MU-8	 PO-8
 Ø4,0x40mm Q-8	 Ø6,3x13mm U-8	 ST-20	 X-4	 X1-4
 Y-4	 Y1-4	 Z-8		

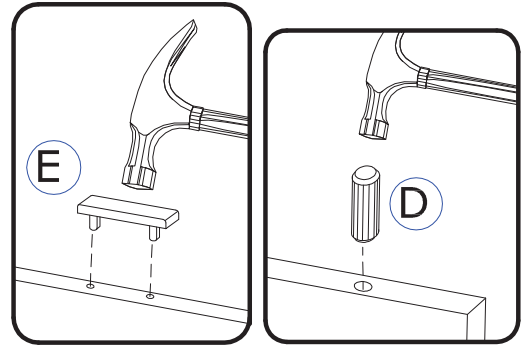
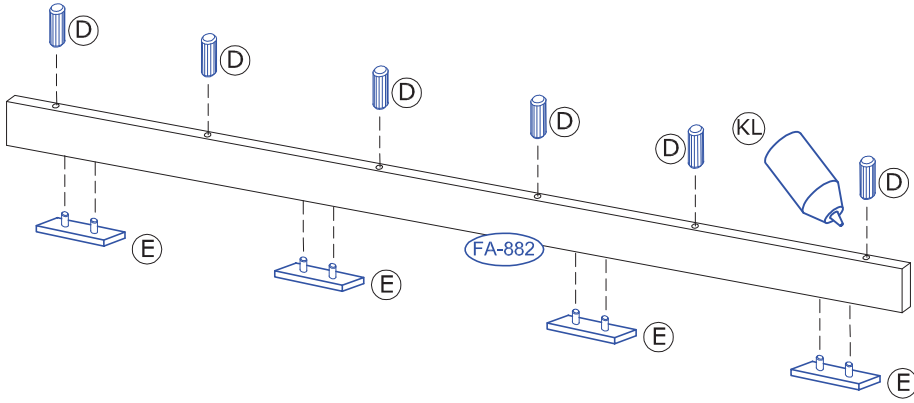
1.



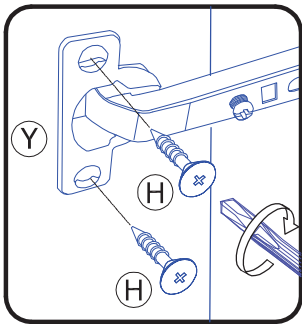
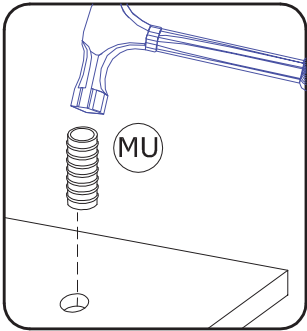
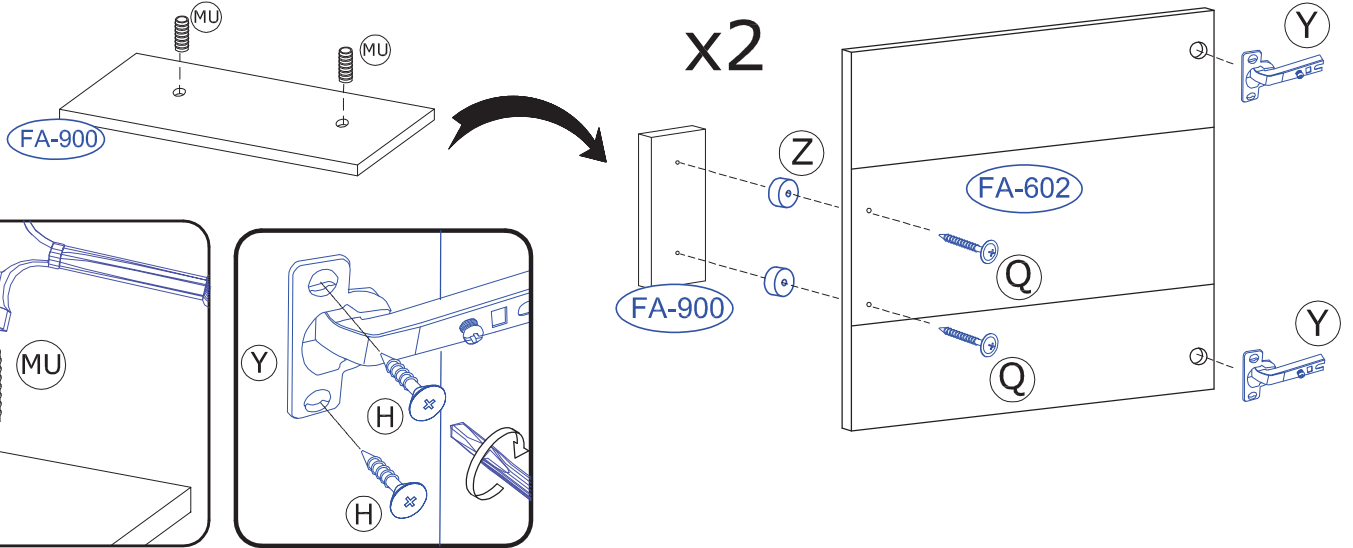
2.



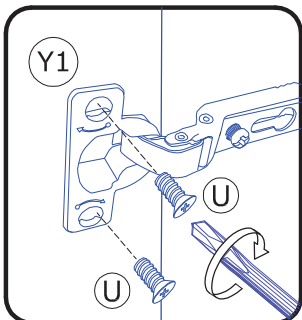
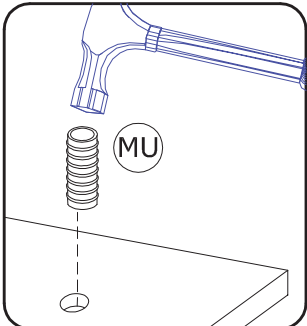
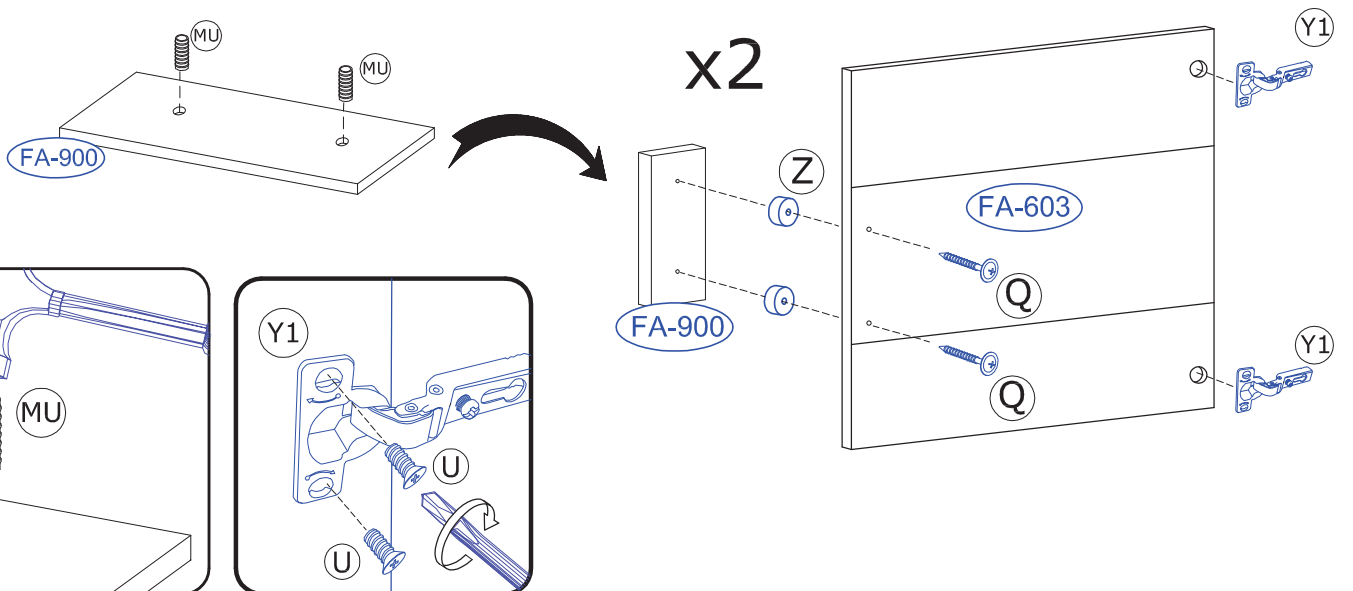
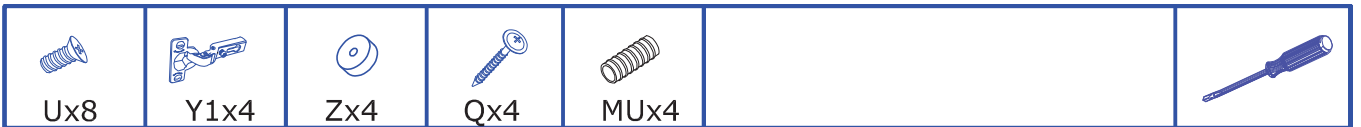
5.



6.



7.



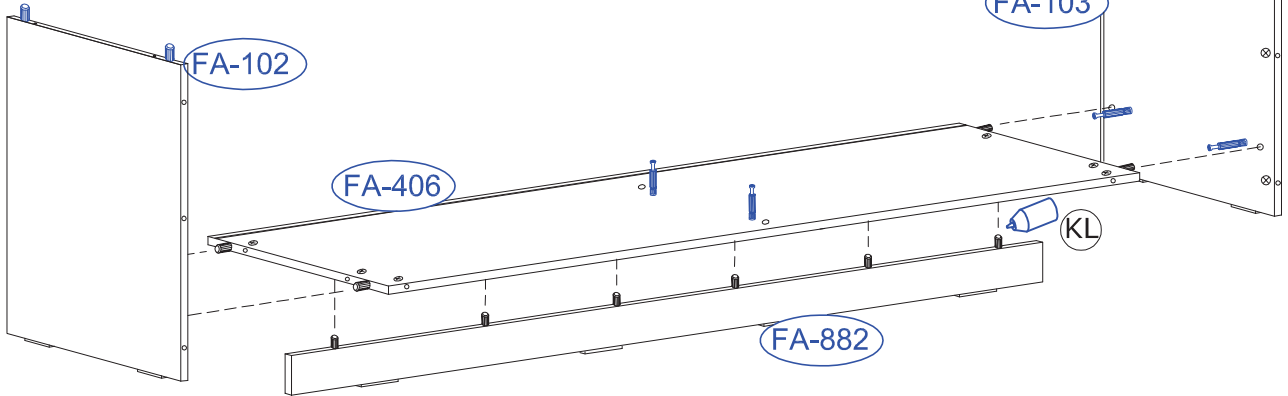
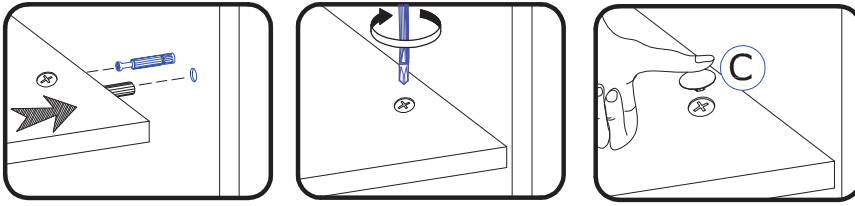
8.



Cx4



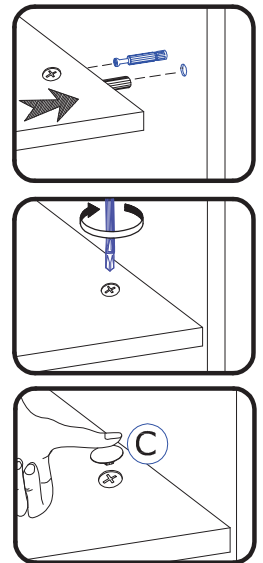
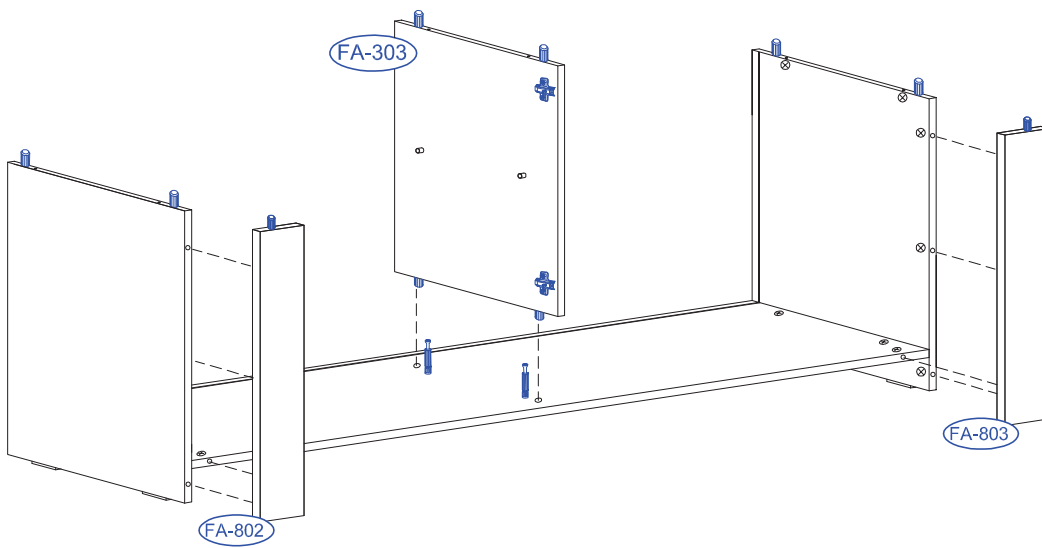
KL



9.



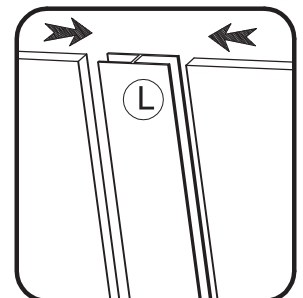
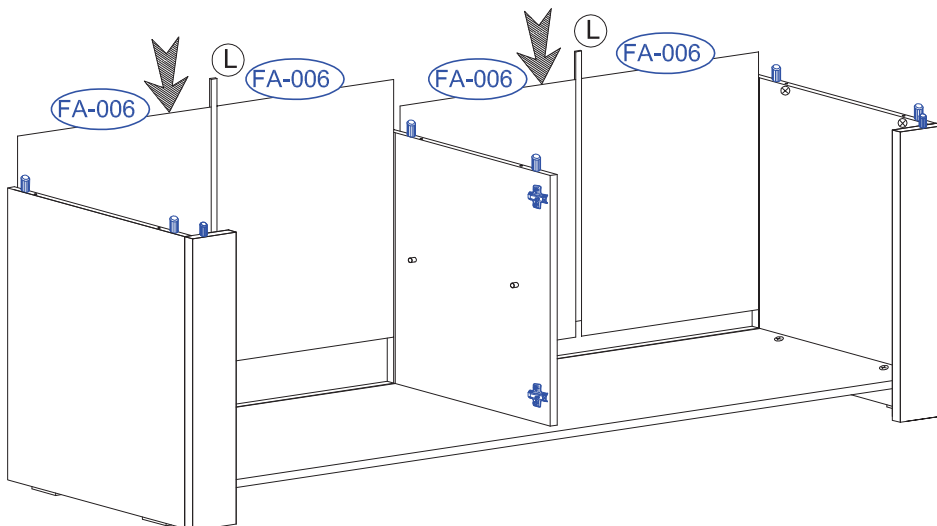
Cx10



10.



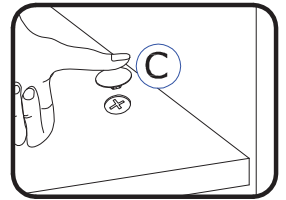
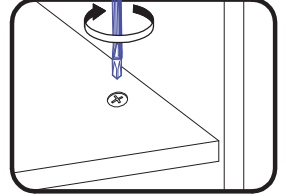
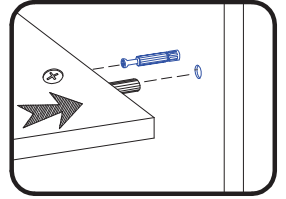
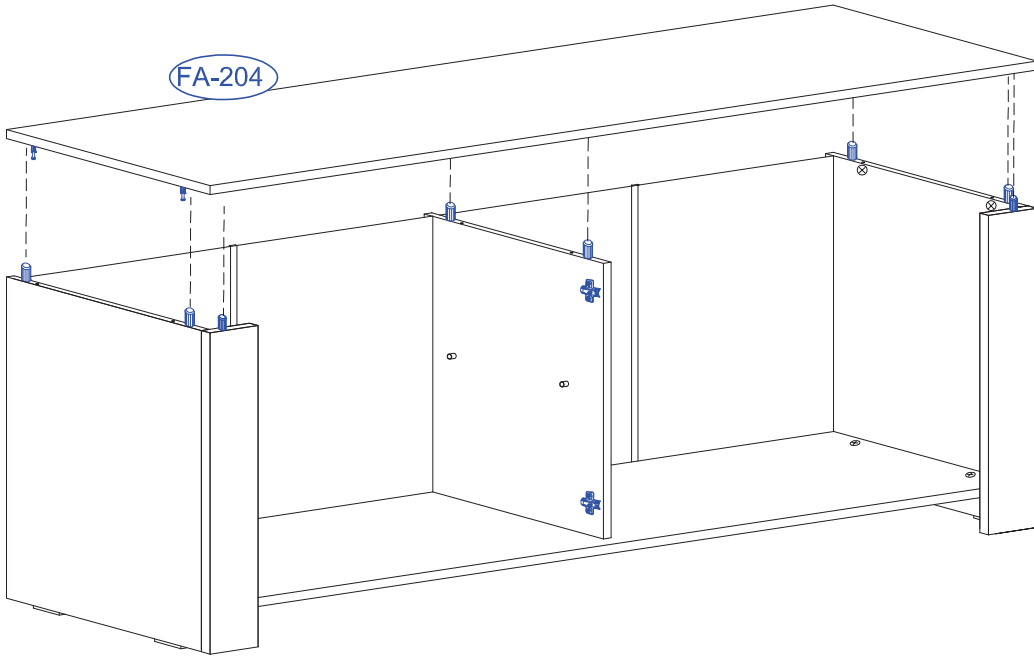
Lx2



11.



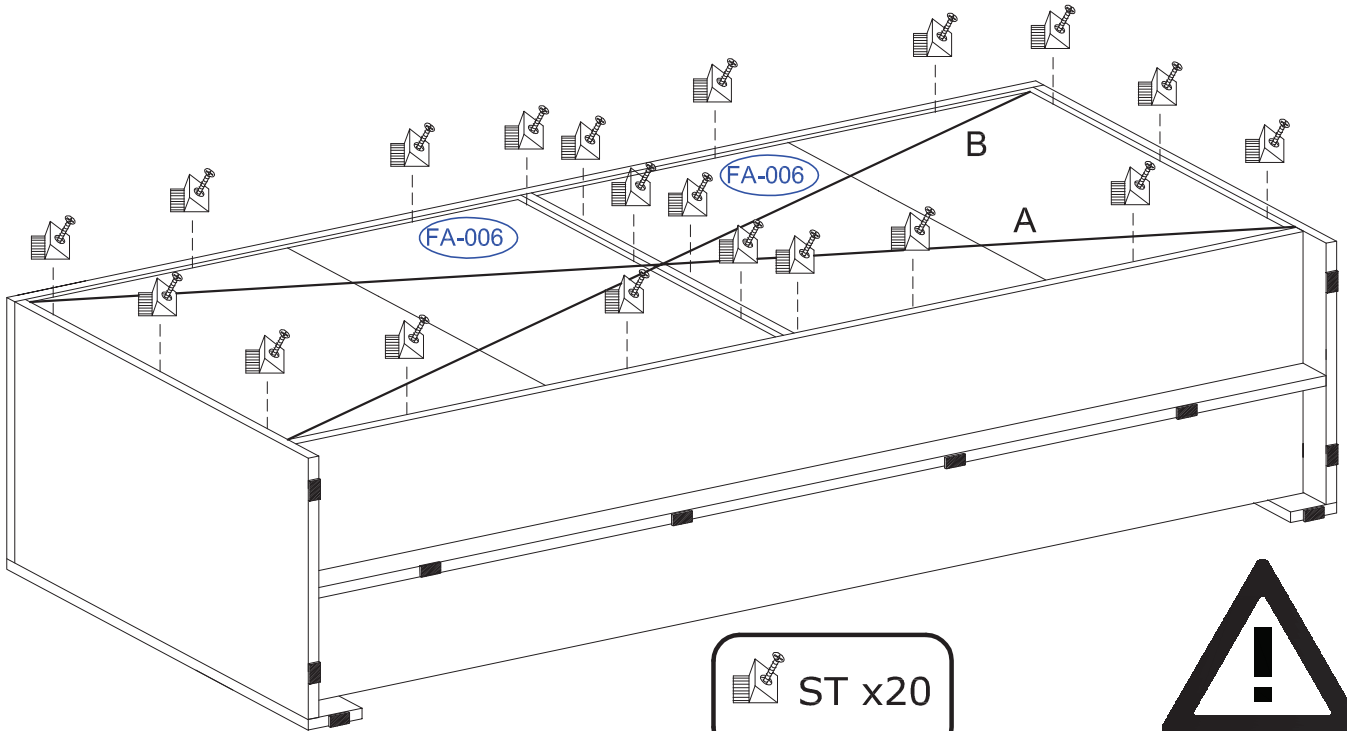
Cx6



12.



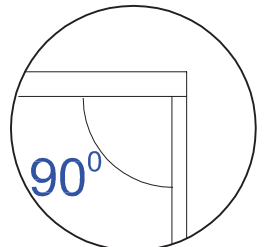
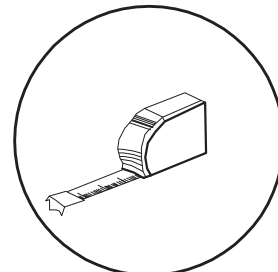
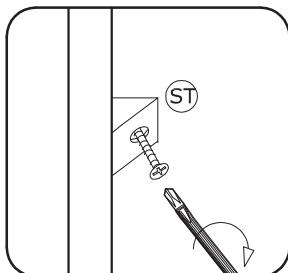
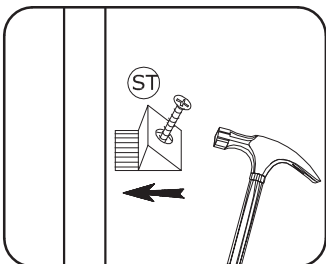
STx20



ST x20



A=B



13.

