

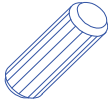
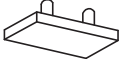


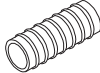
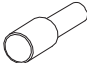



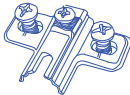
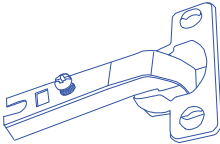

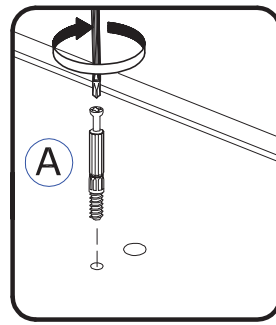
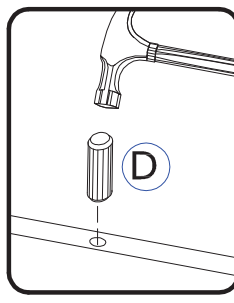
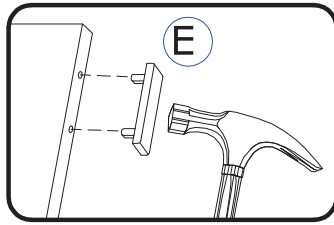
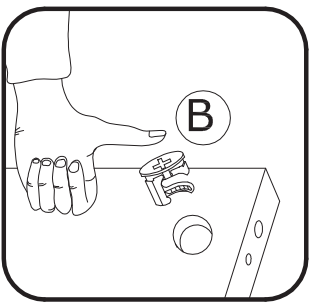
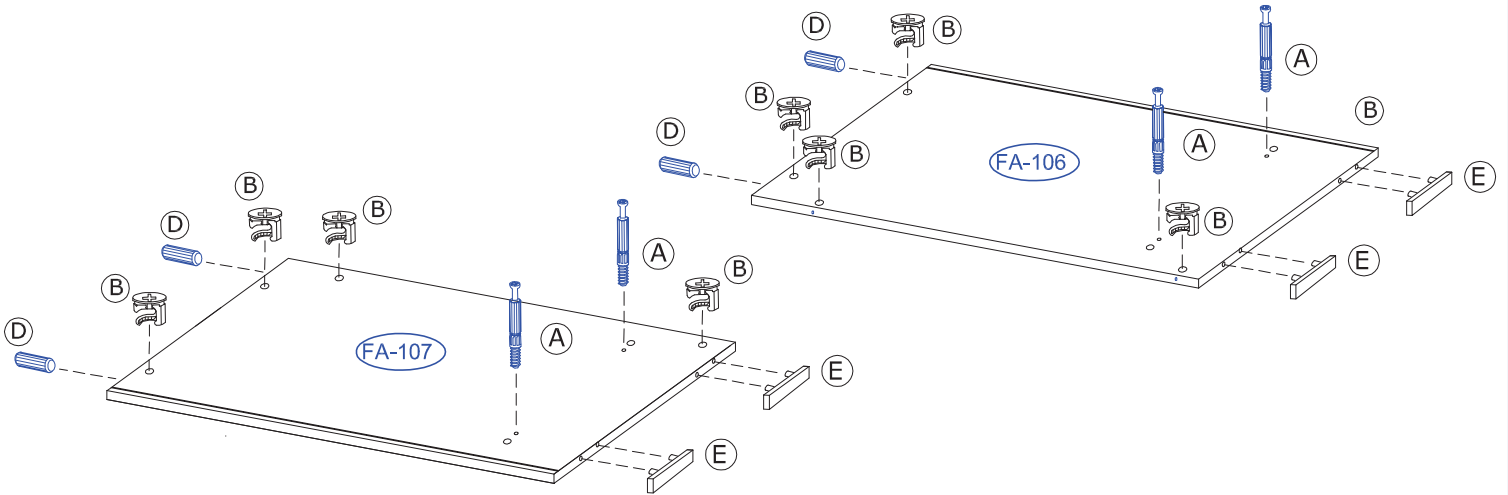
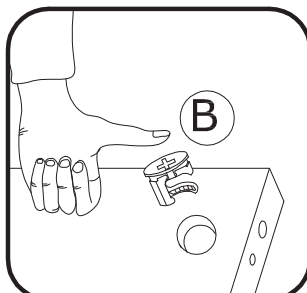
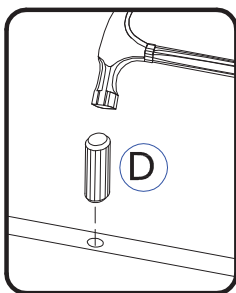
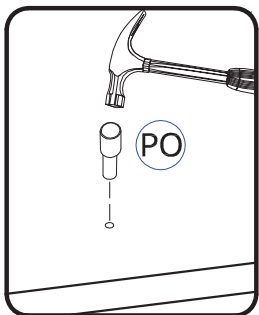
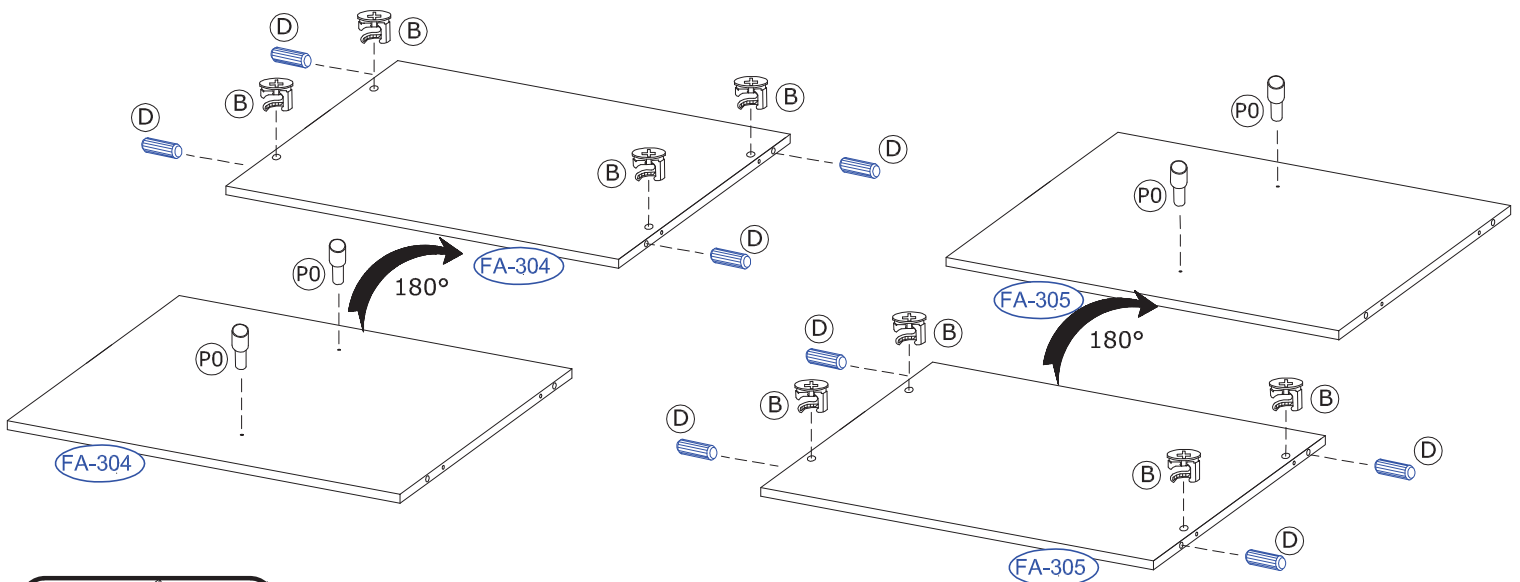
 A-22	 B-22	 C-22	 Ø8x30mm D-22	 E-8
 Ø3,5x16mm H-8	 KL	 MU-4	 PO-4	 PK-1
 Ø4,0x40mm Q-4	 ST-12	 X-4	 Y-4	 Z-4

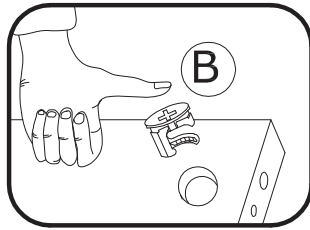
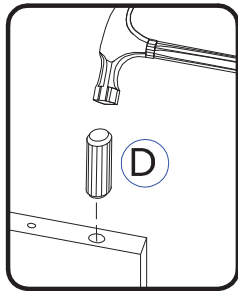
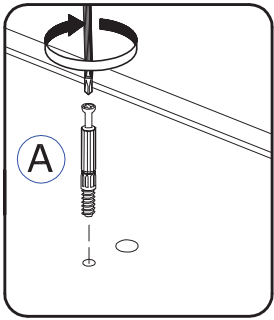
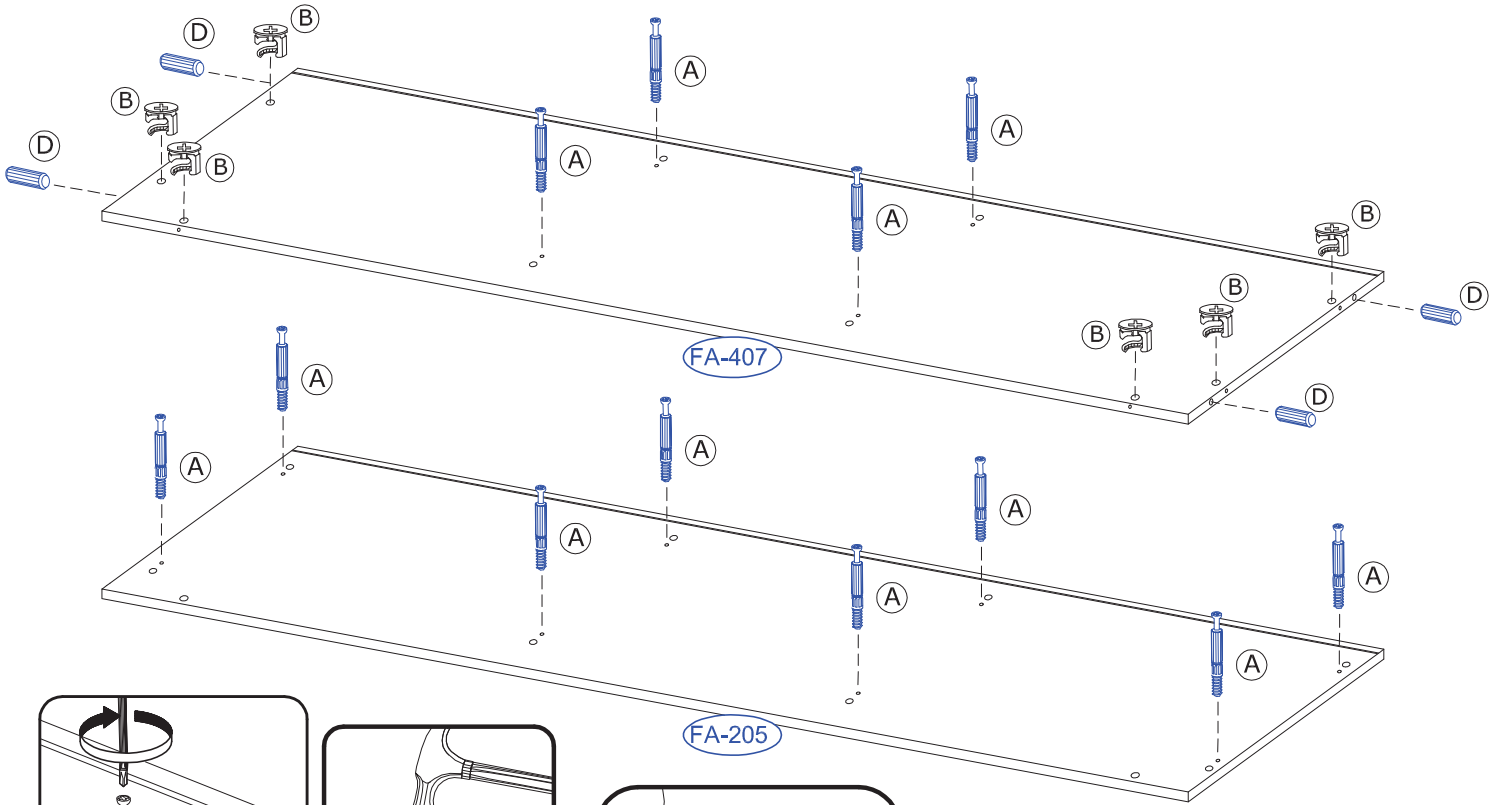
1.



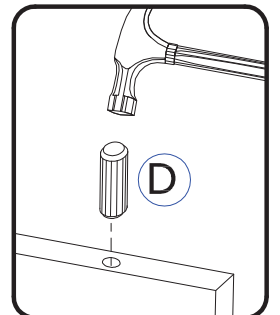
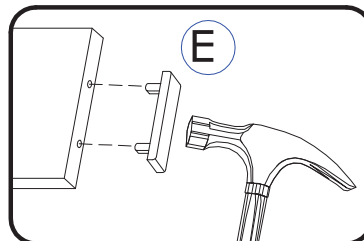
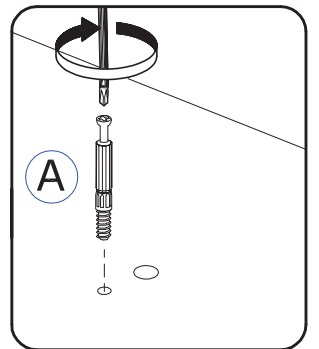
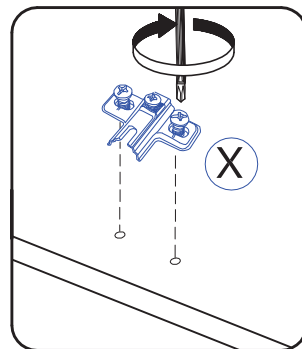
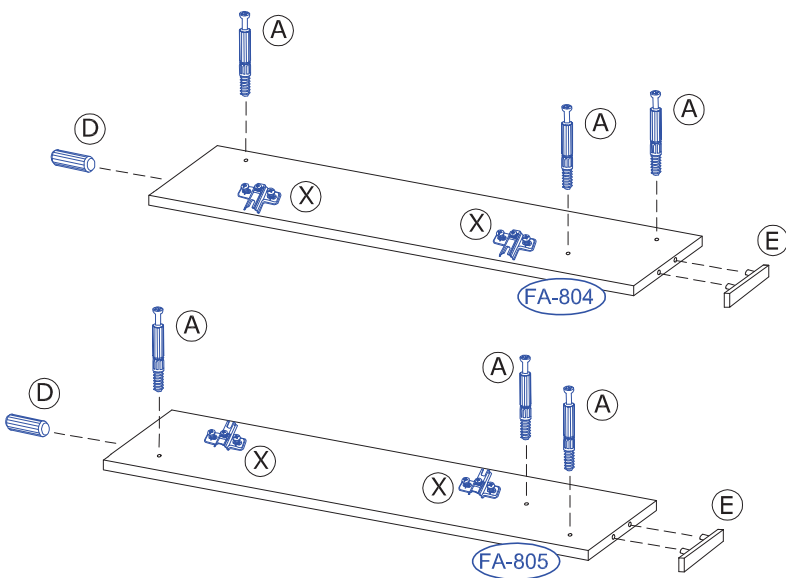
2.



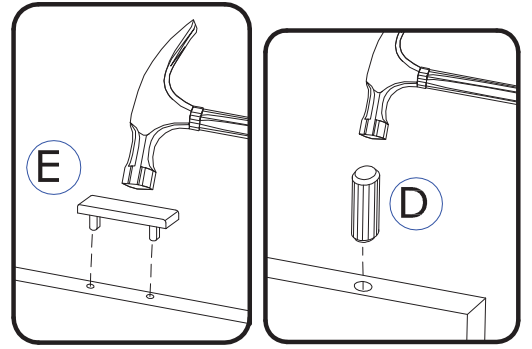
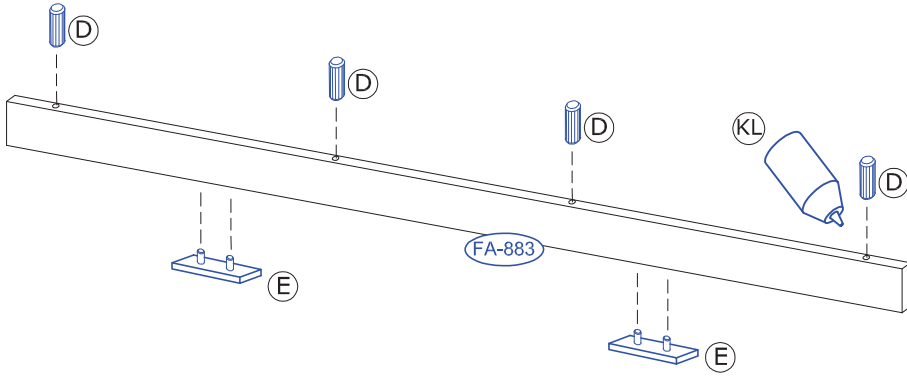
3.



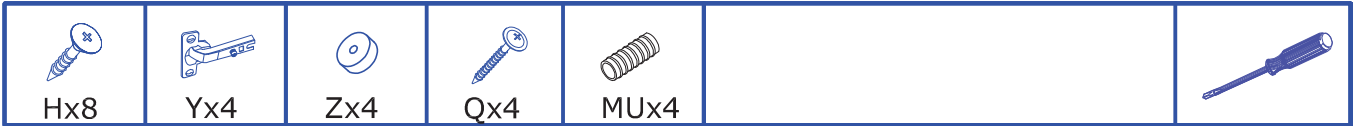
4.



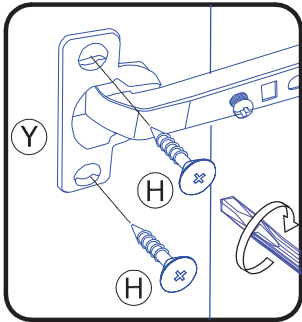
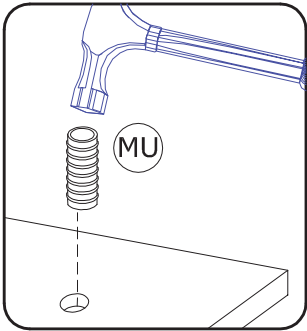
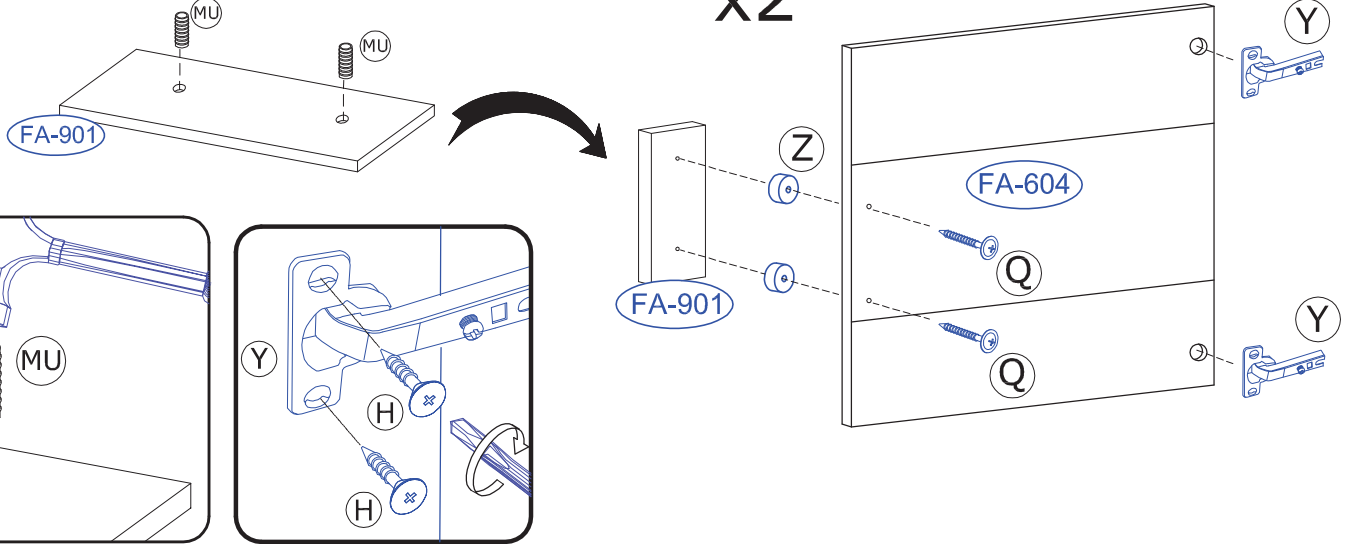
5.



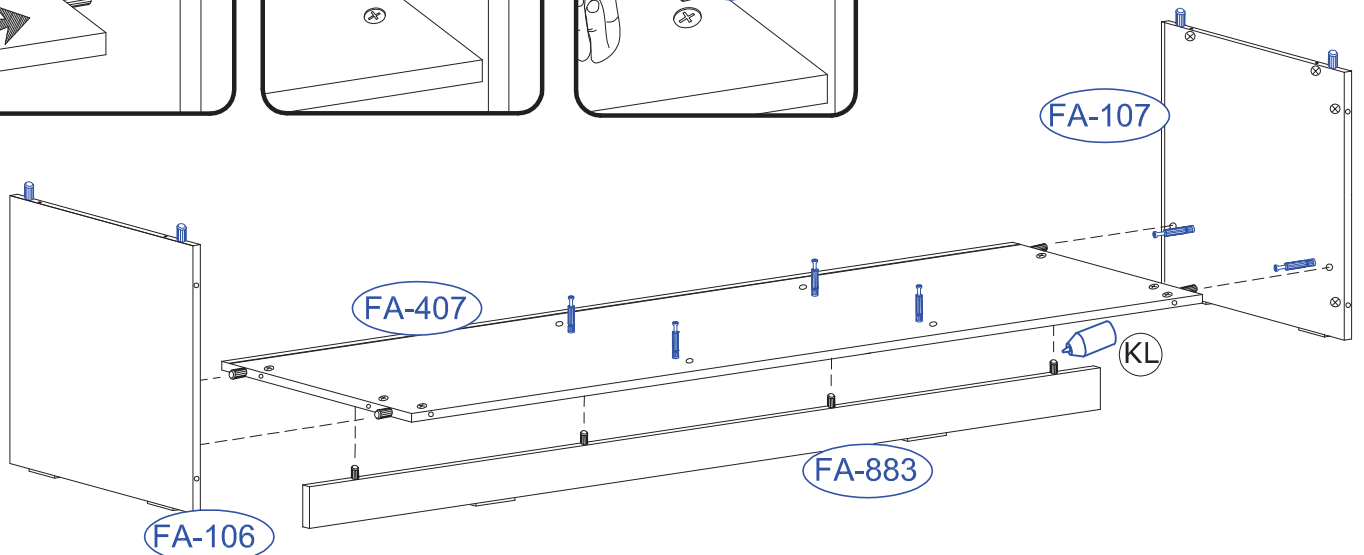
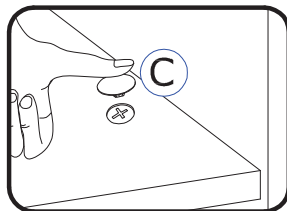
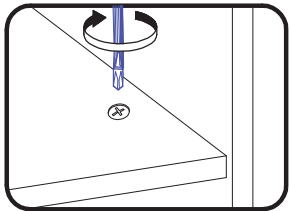
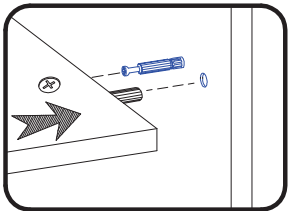
6.



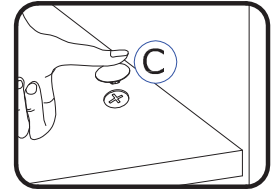
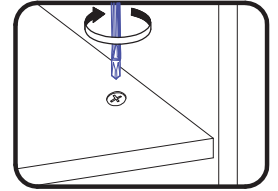
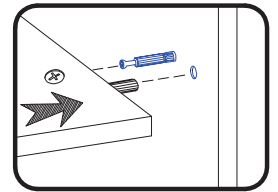
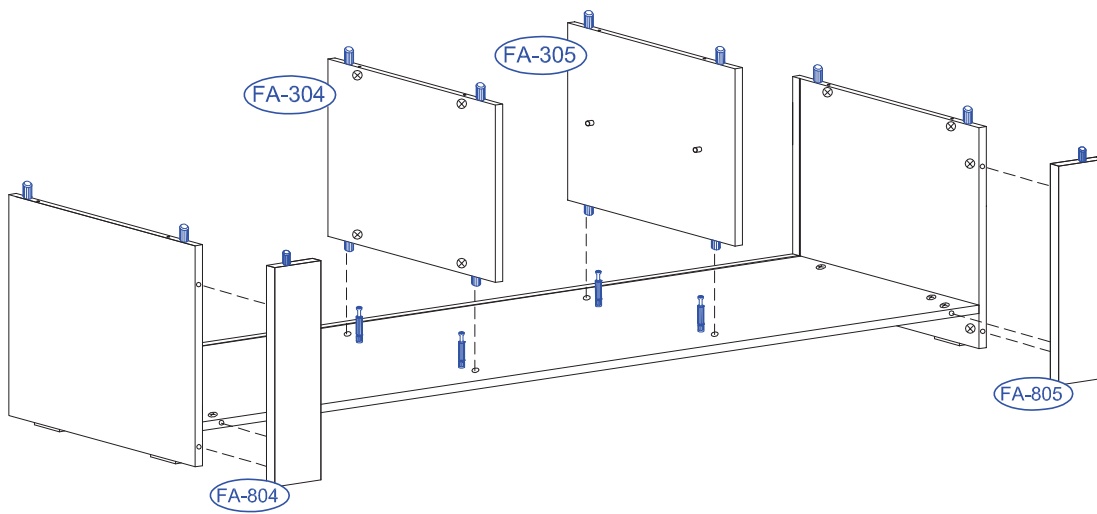
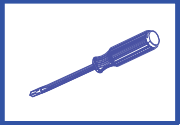
x2



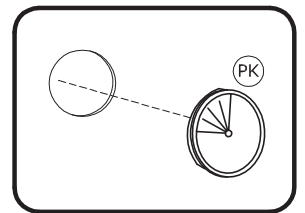
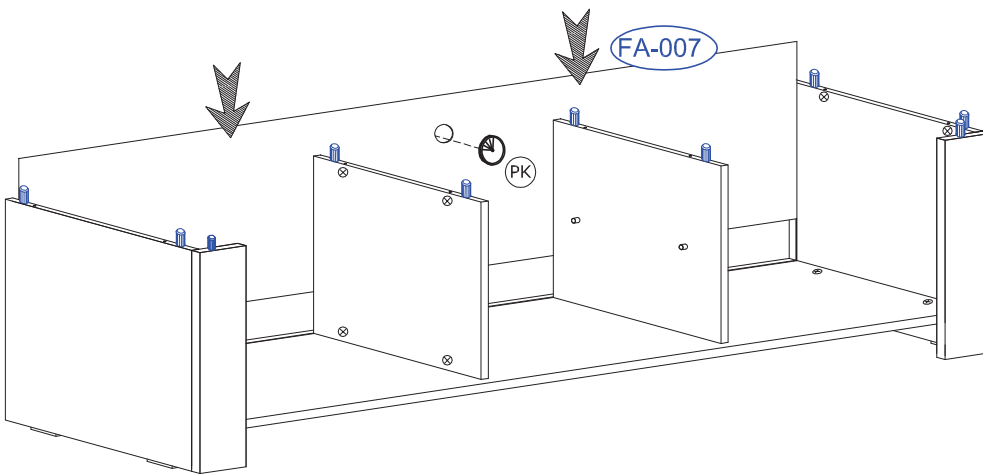
7.



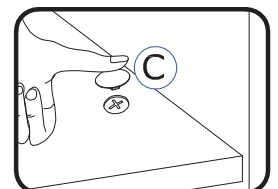
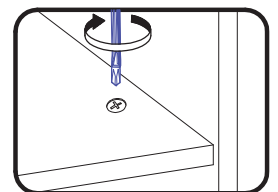
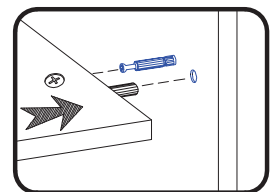
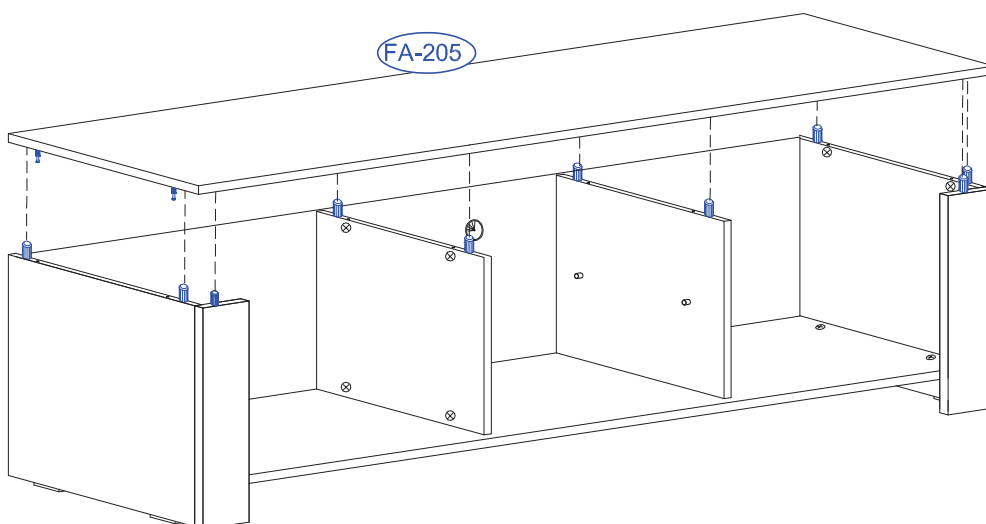
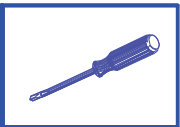
8.



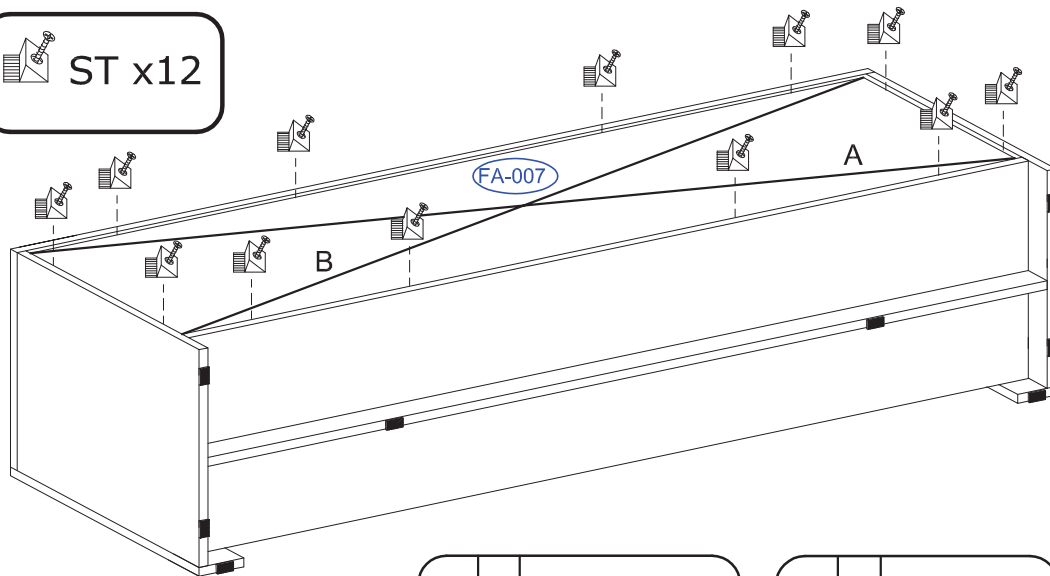
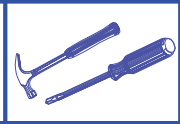
9.



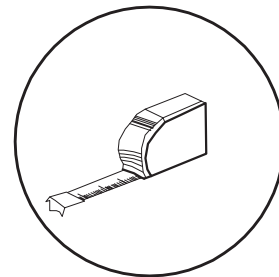
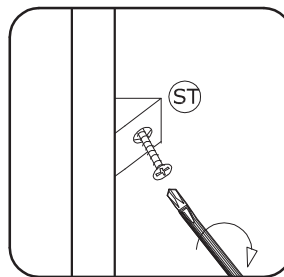
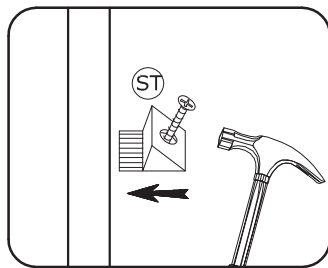
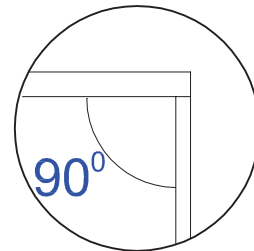
10.



11.



A=B



12.

