

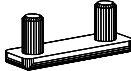
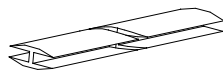

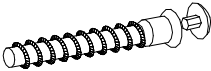


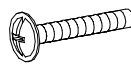



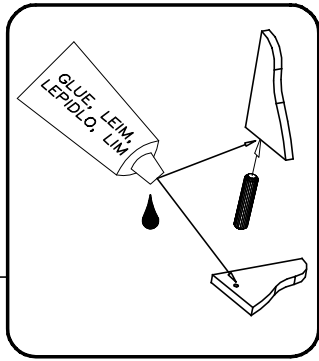
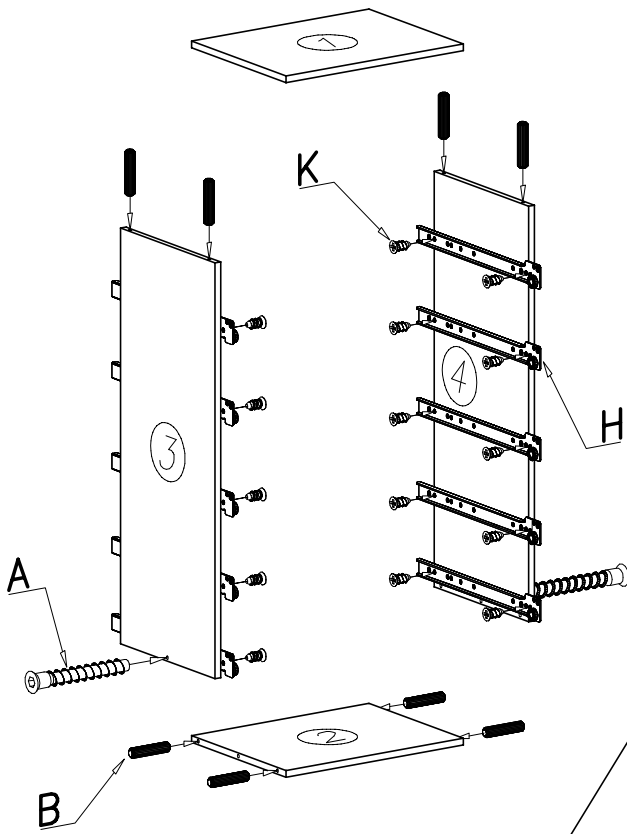
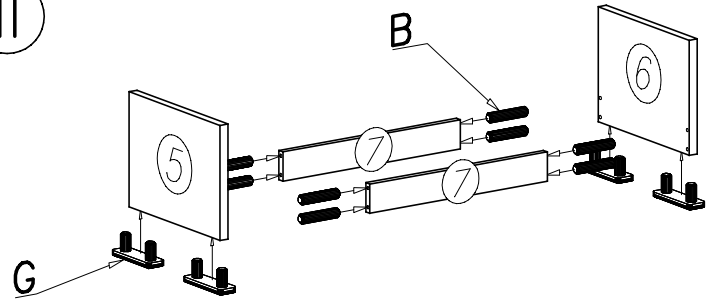


<b>W</b>  x3	<b>E</b>  3 x 20 x50	<b>G</b>  x4	<b>C</b>  985mm x1	<b>K</b>  6 x 13 x20
<b>A</b>  x6	<b>B</b>  x56	<b>U</b>  x5	<b>N</b>  M4 x 22 x10	<b>H</b>  35cm x5
		<b>T</b>  4 x 16 x30	<b>Z</b>  x1	

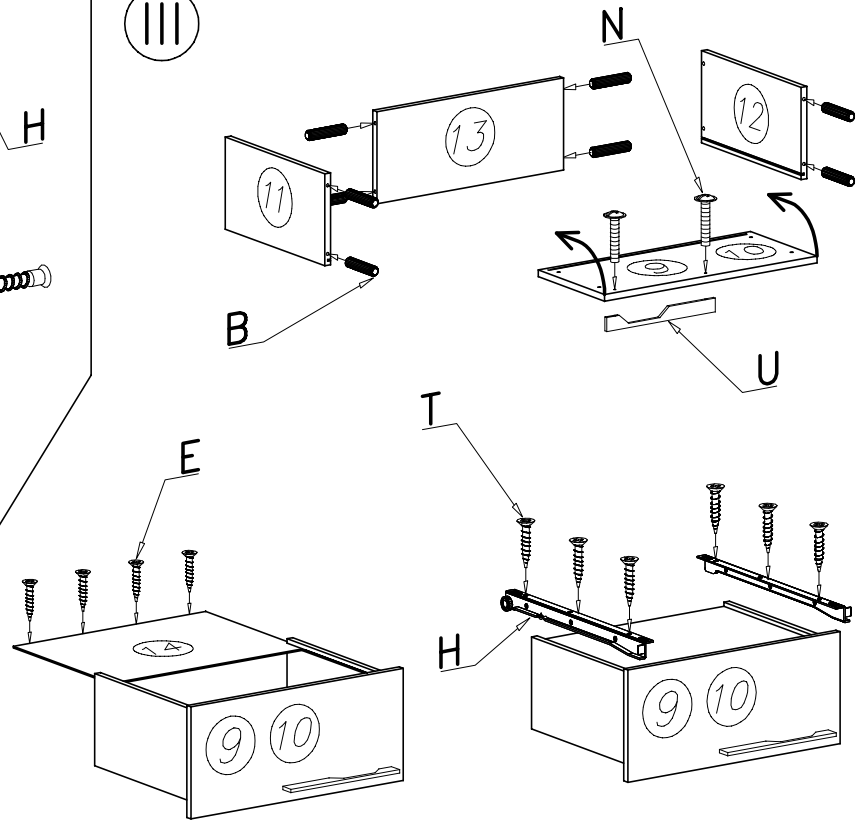
I



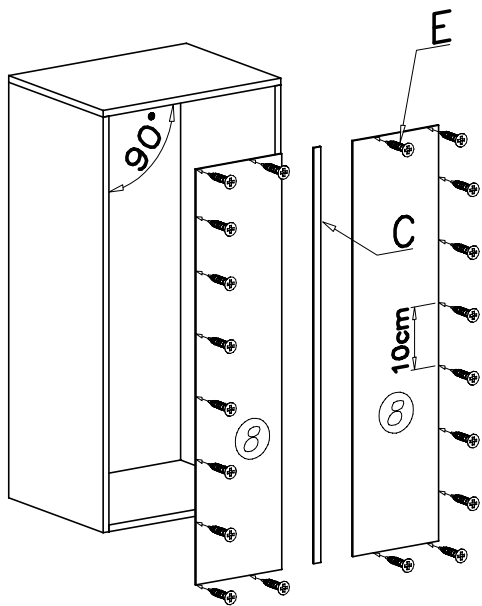
II



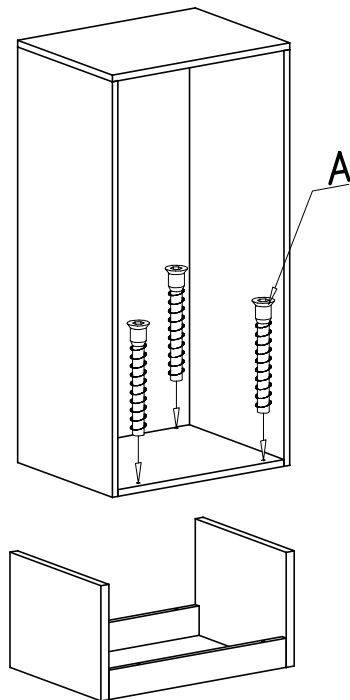
III



IV



V



VI

