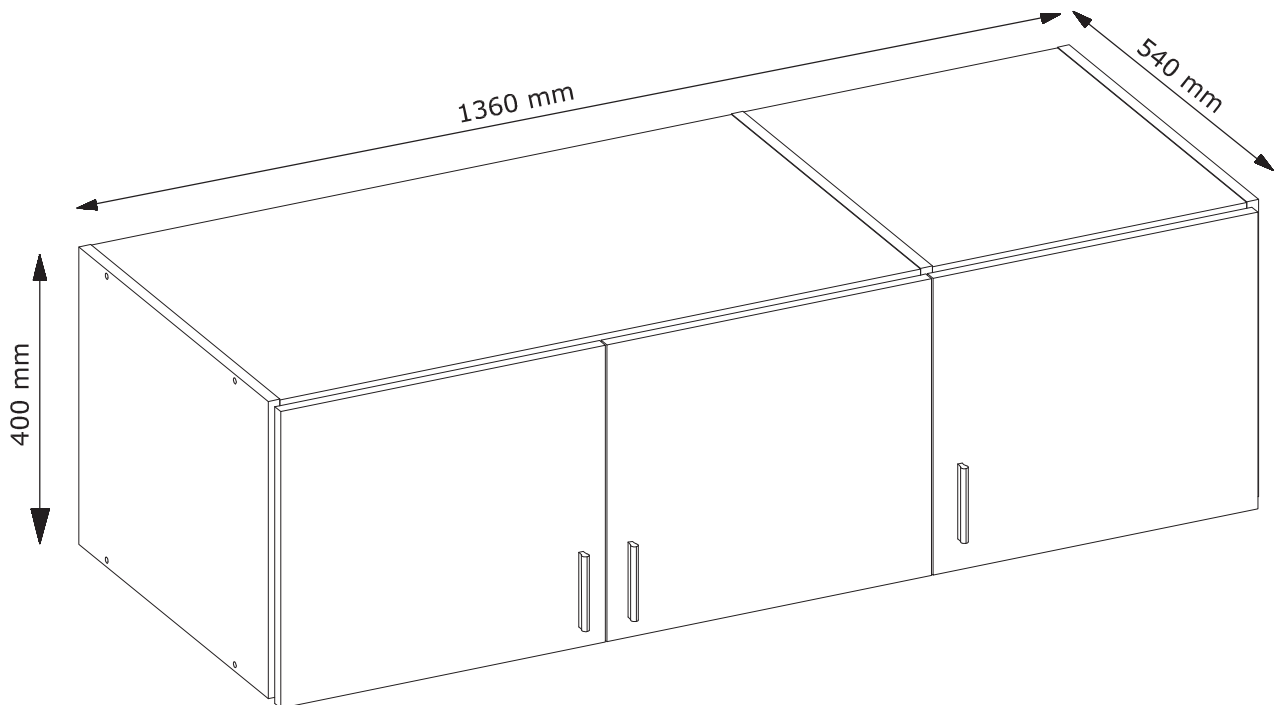
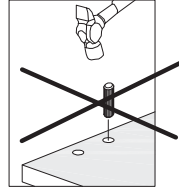
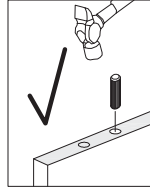
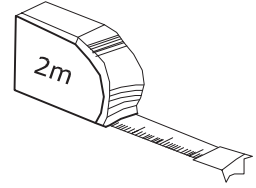
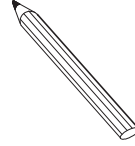
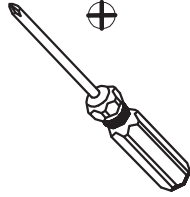
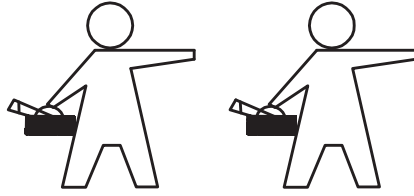
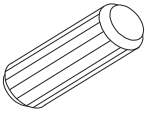
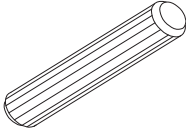


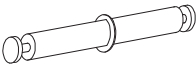
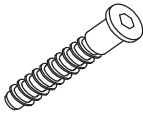
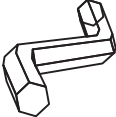

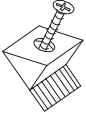


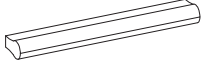
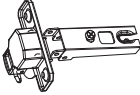
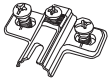


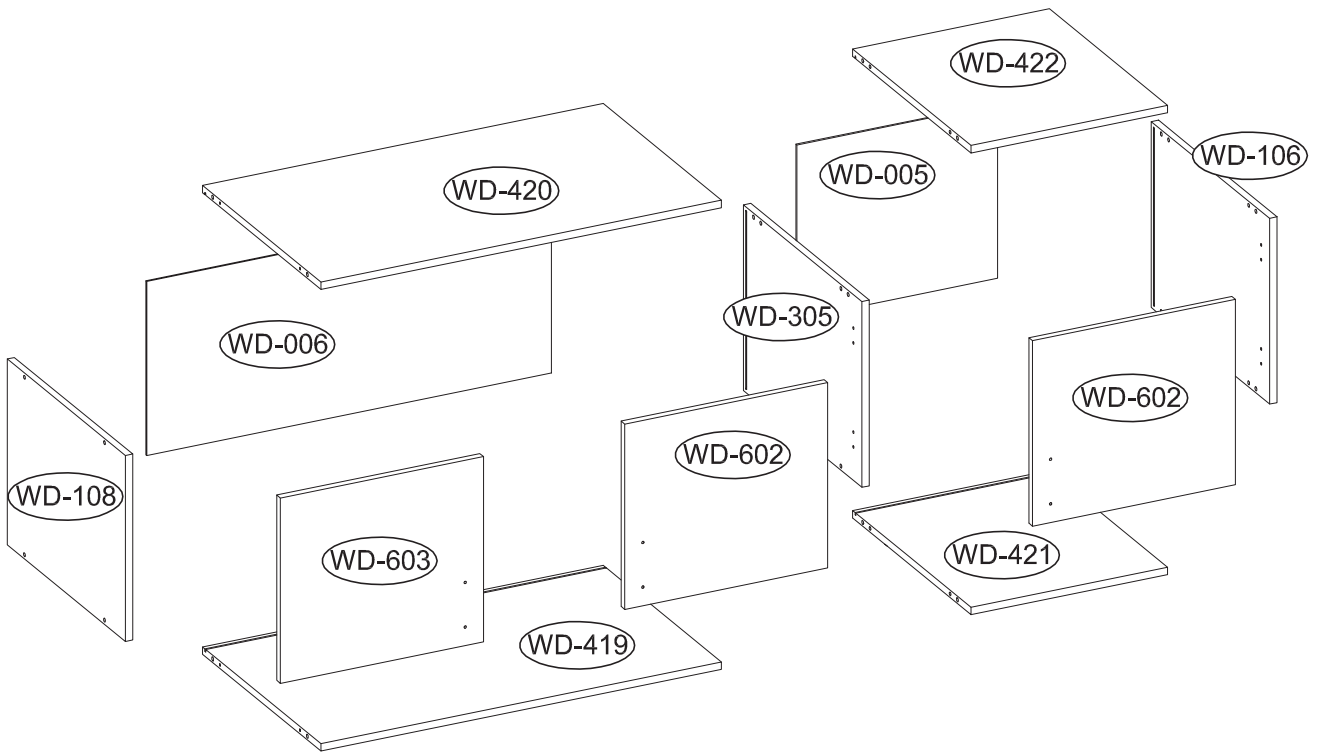
SNOW

04A

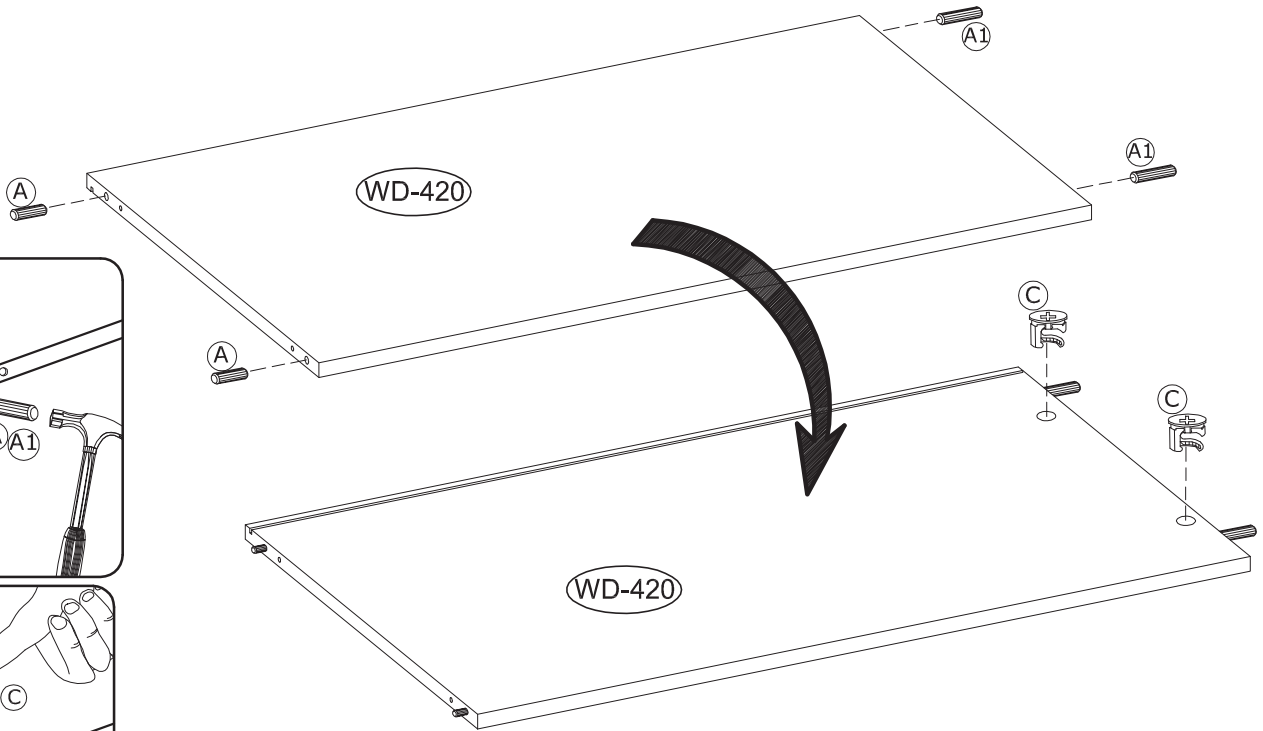
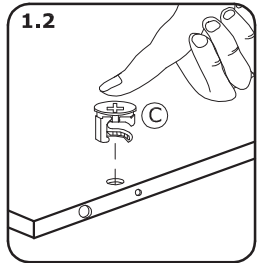
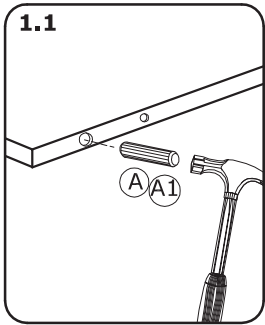




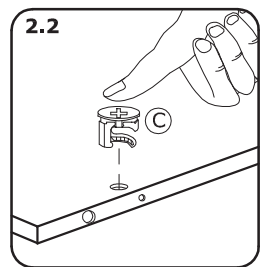
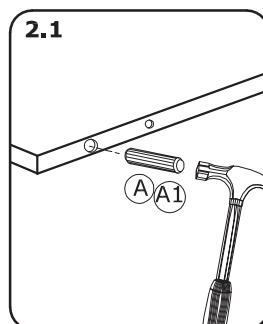
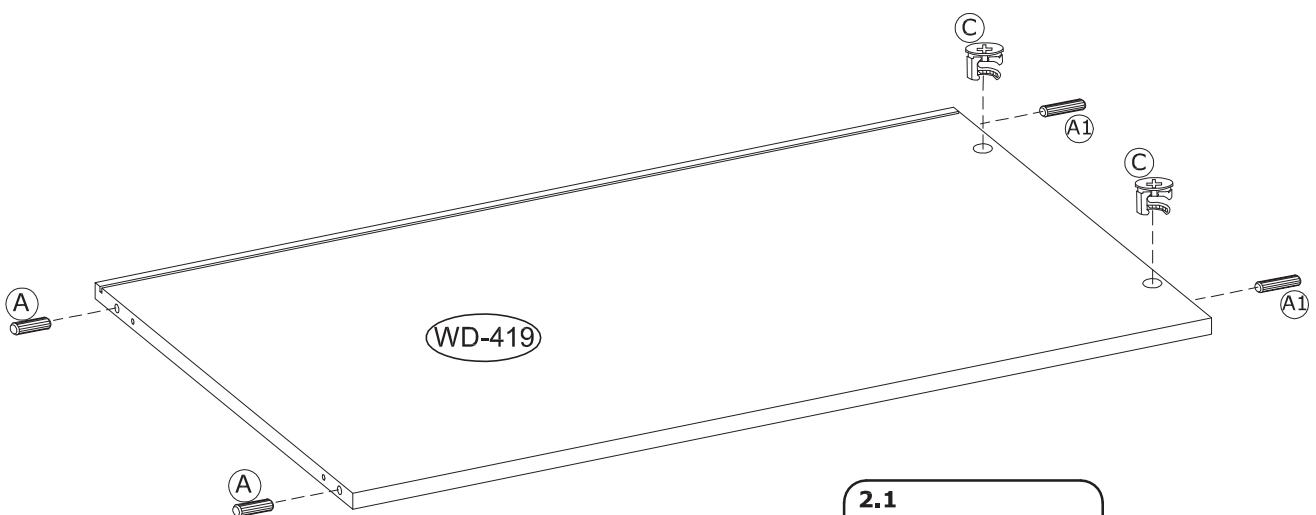
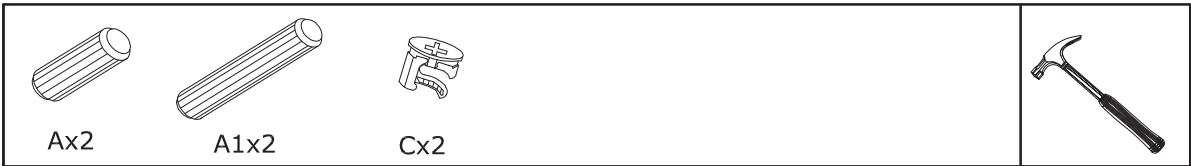
 Ø8x30mm Ax10	 Ø8x50mm A1x4	 Ø15x11mm Bx8	 C1-8
 DD-4	 Ø6,4x50mm T-8	 4,0 mm V1-1	 C-8
 Ox12	 Ø3.5x16mm Hx12	 Ø4,0x25mm Rx6	 Lx3
 Z1x6	 Z2x6		



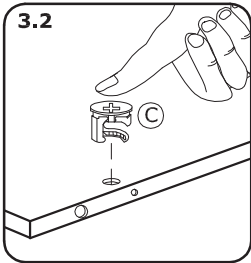
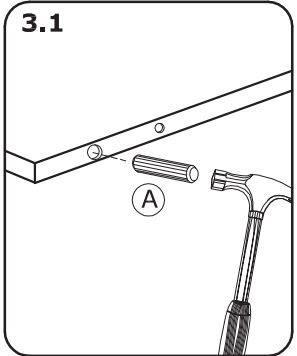
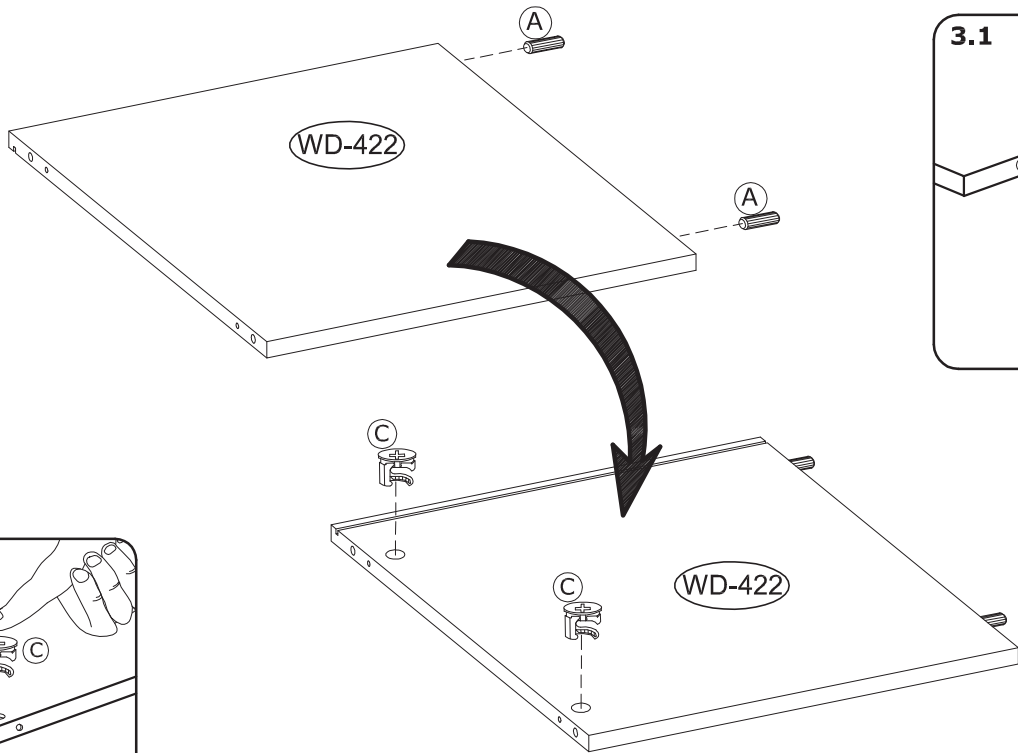
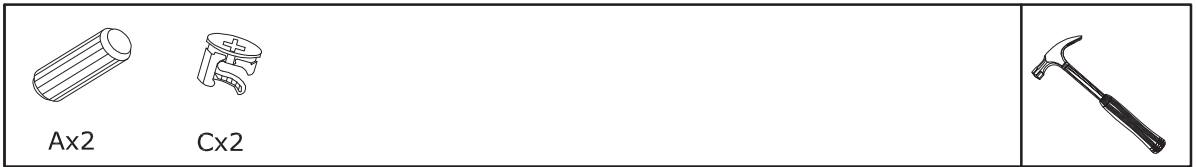
1



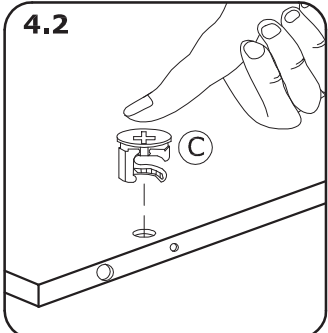
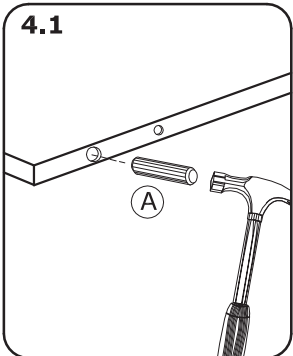
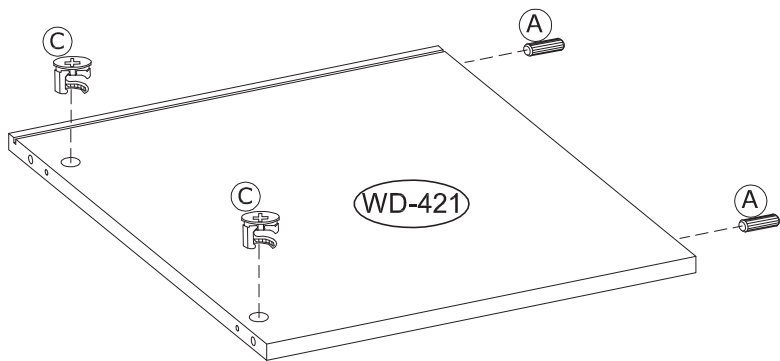
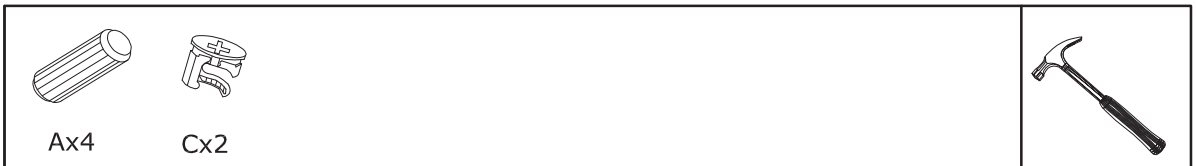
2



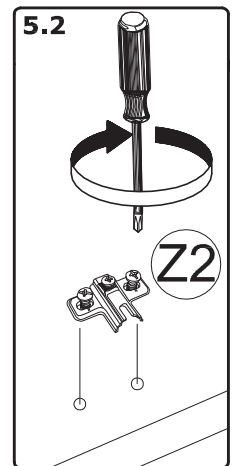
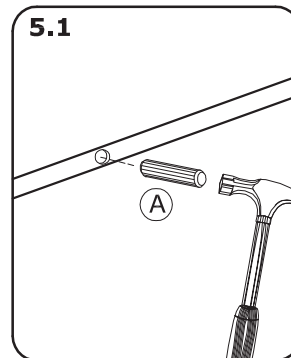
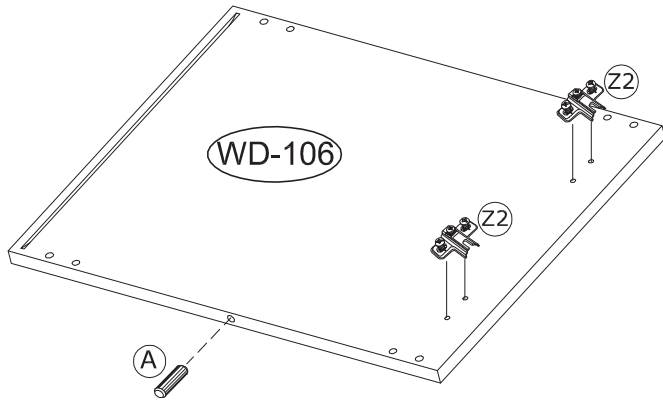
3



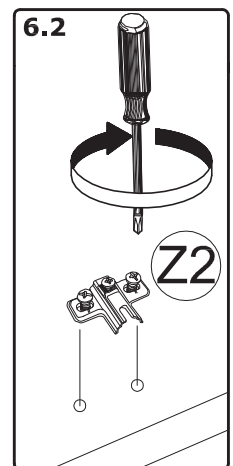
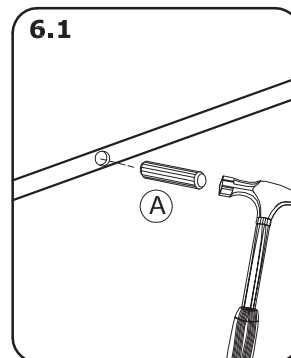
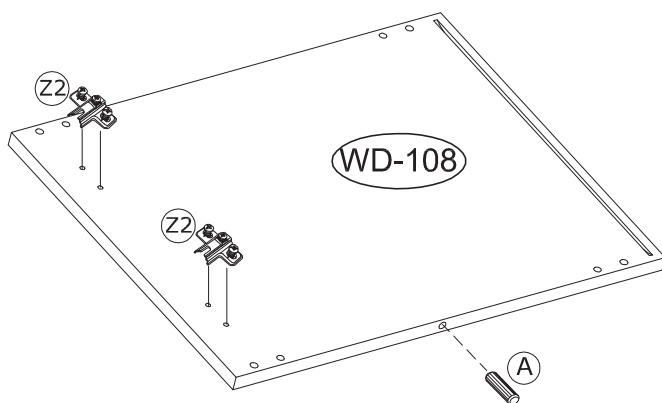
4



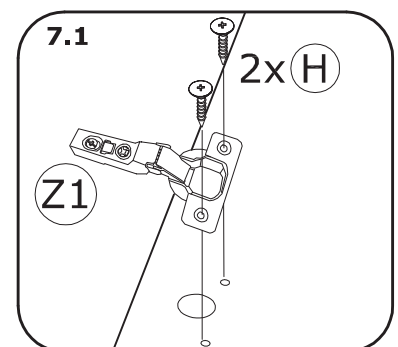
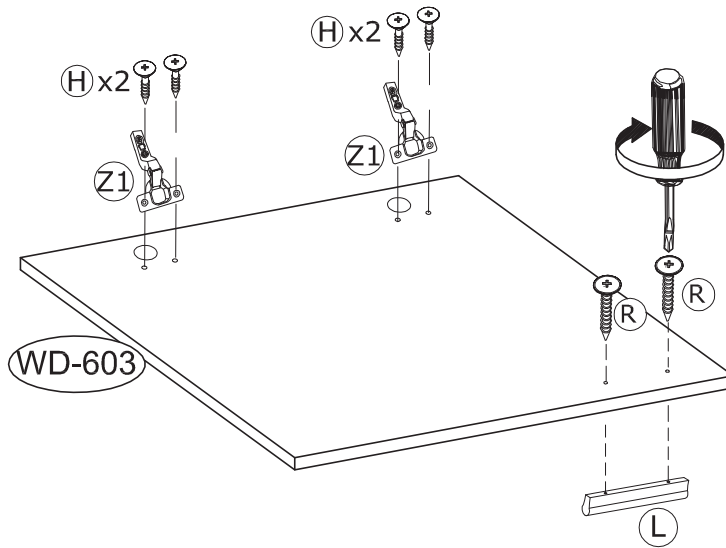
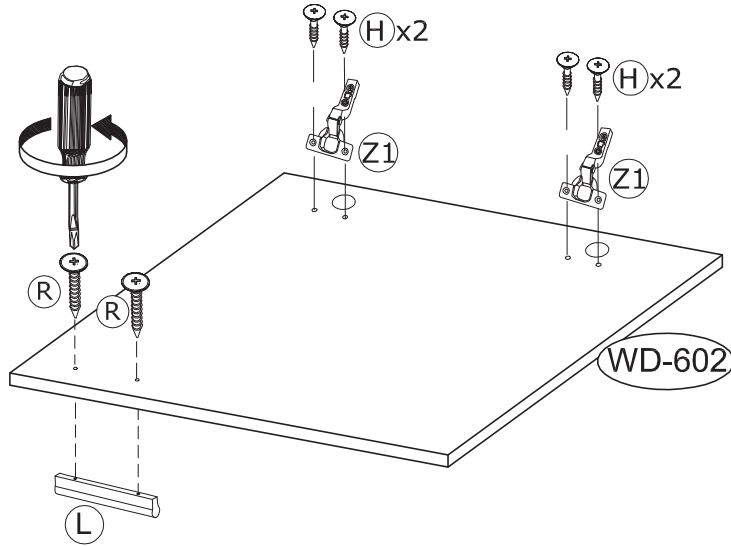
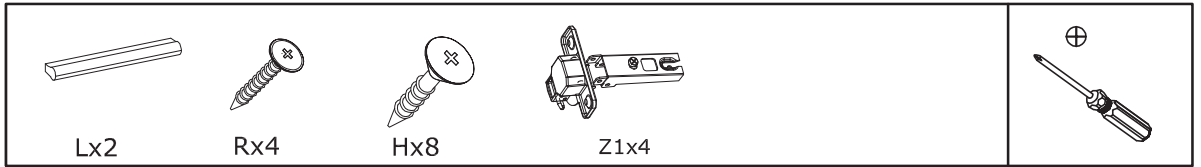
5



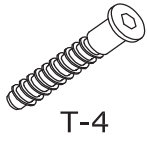
6



7



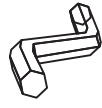
8



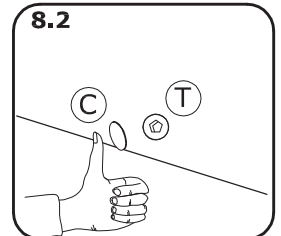
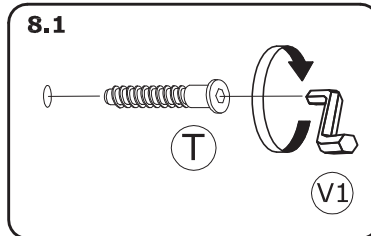
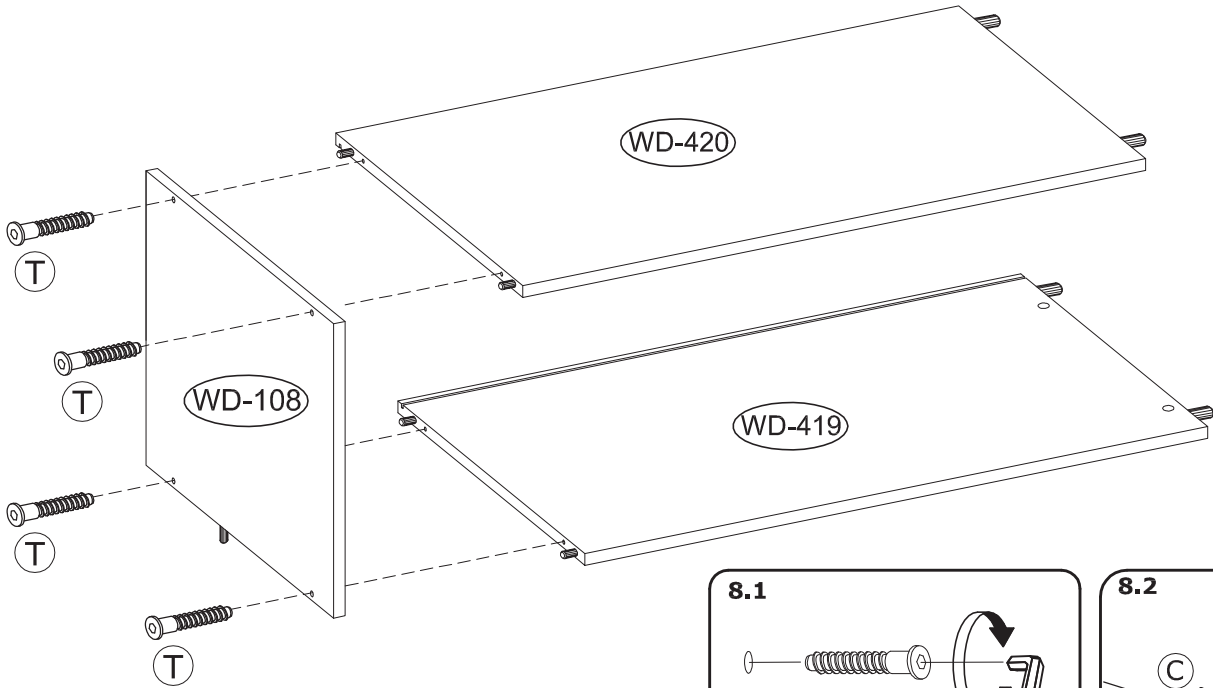
T-4



C-4



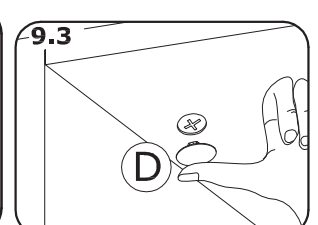
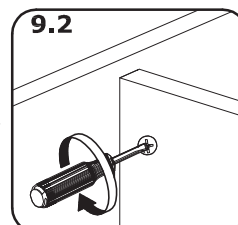
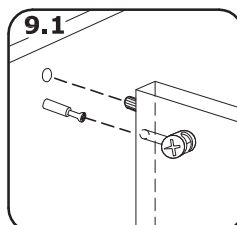
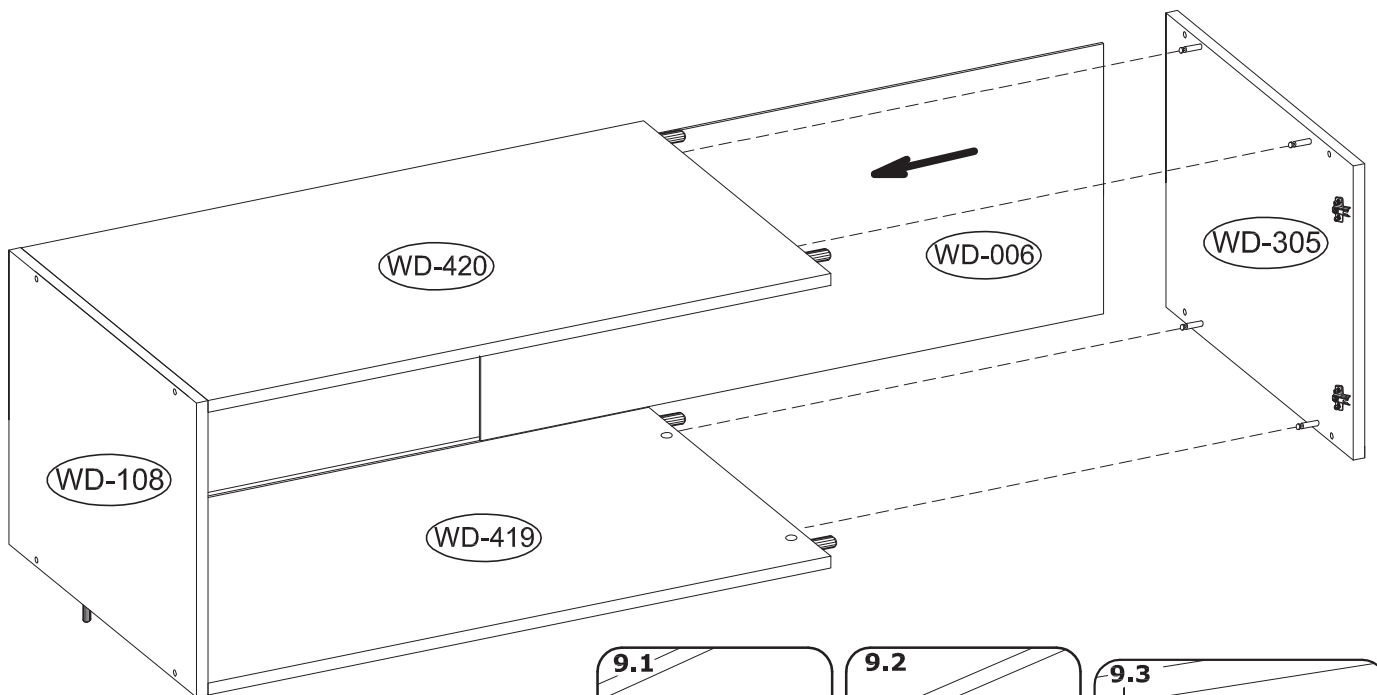
V1-1



9



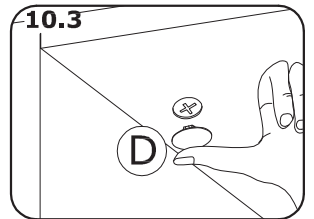
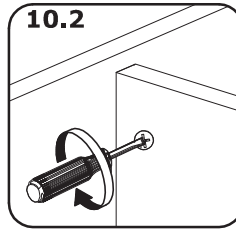
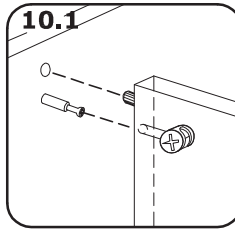
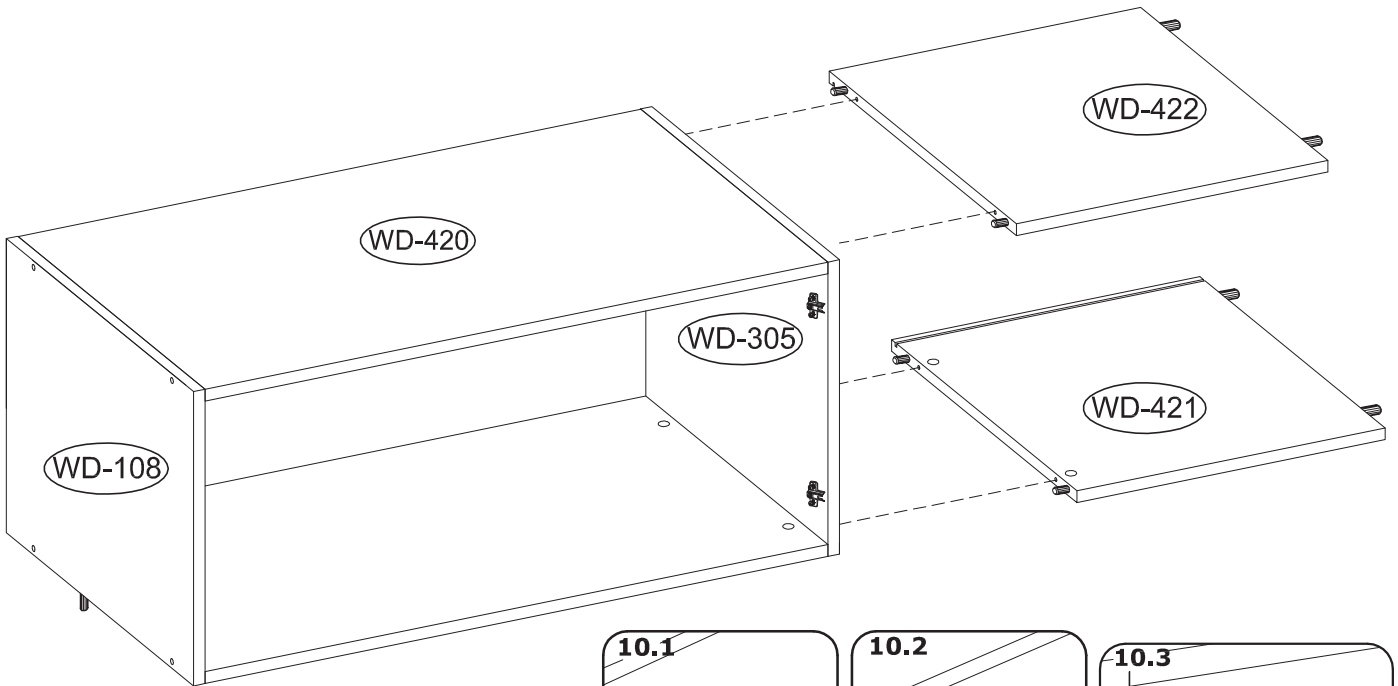
Dx4



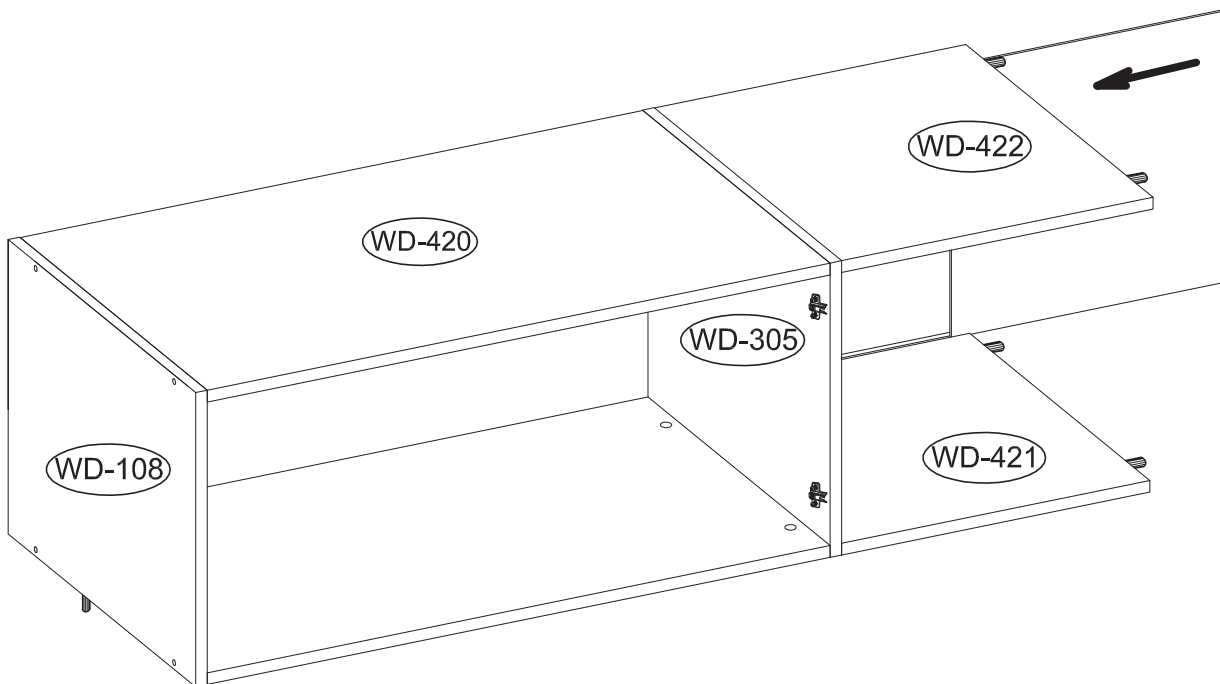
10



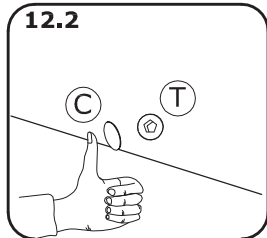
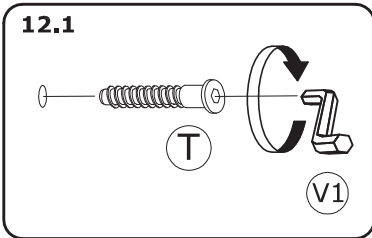
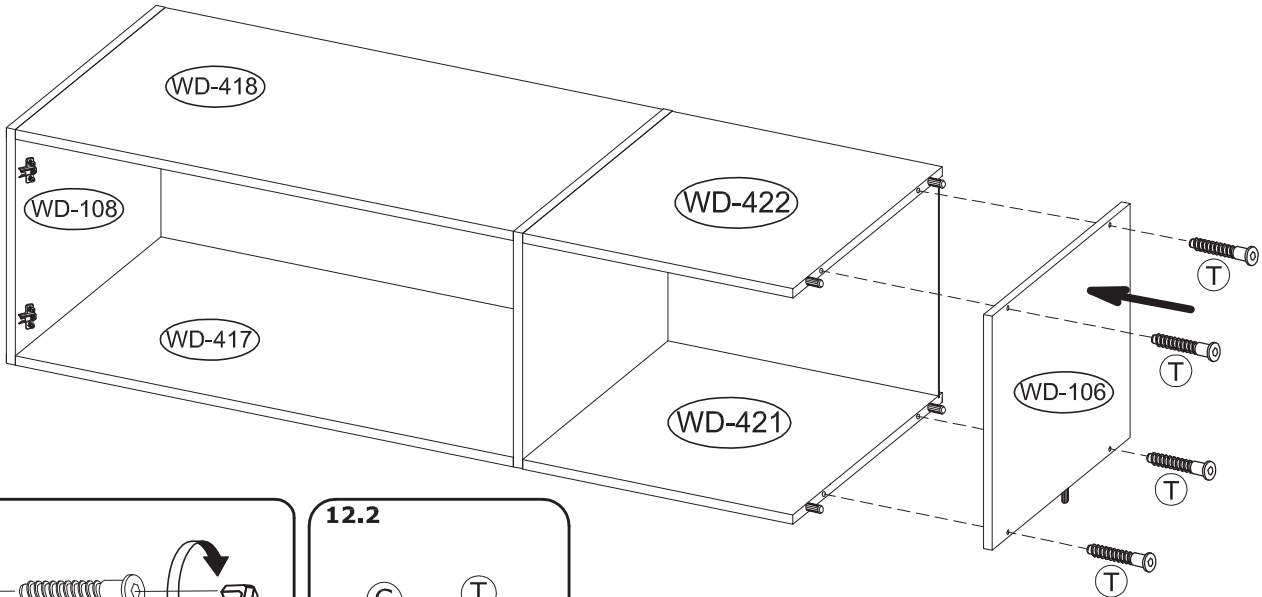
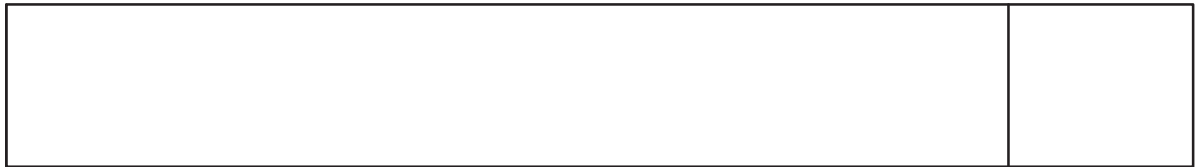
Dx4



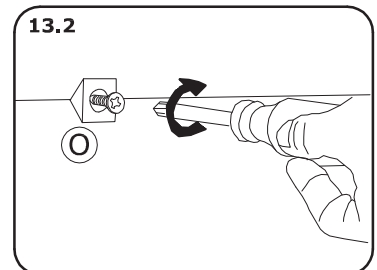
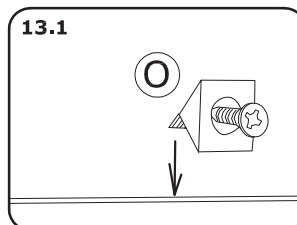
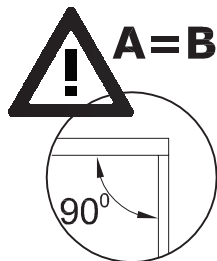
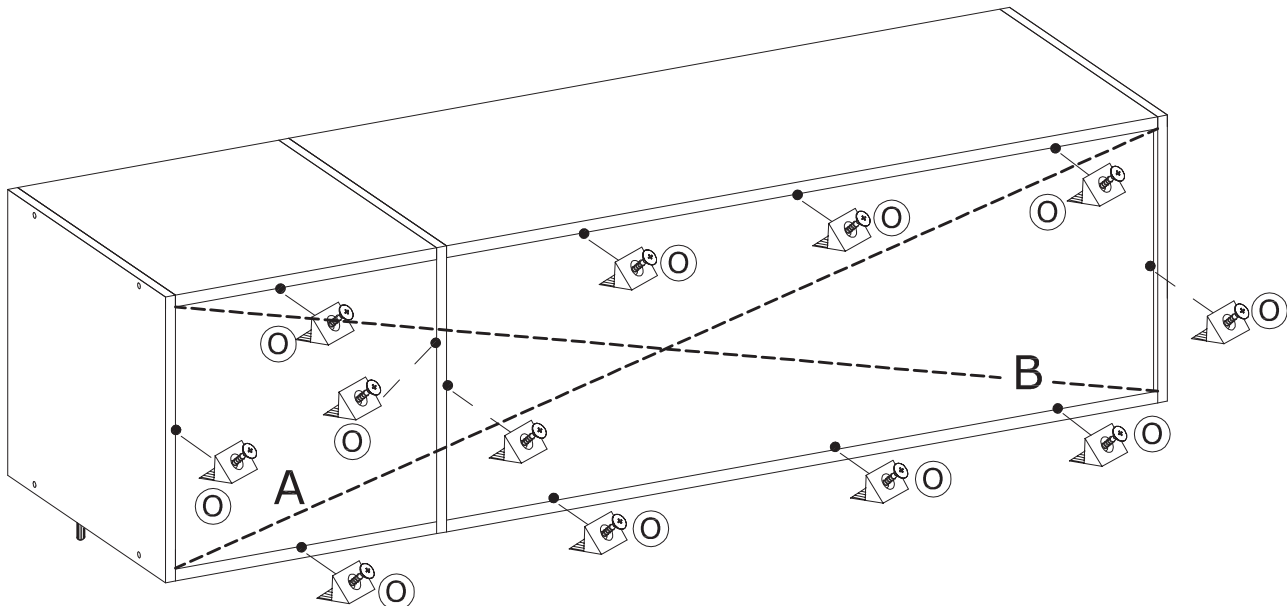
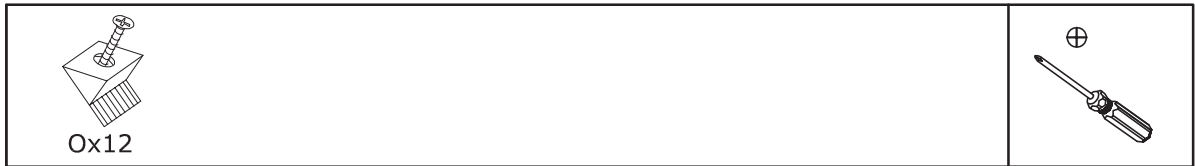
11



12



13



14

