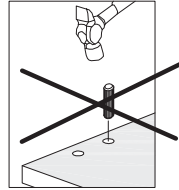
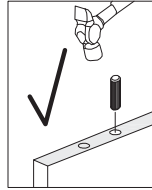
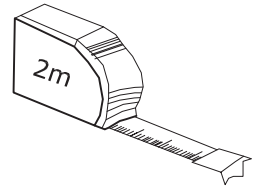
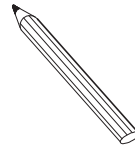
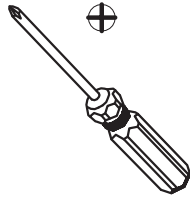
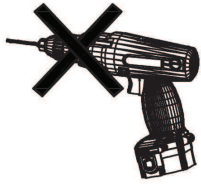
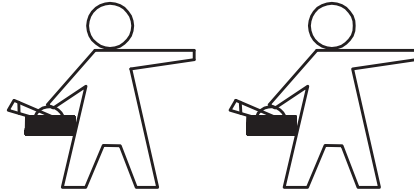
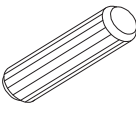


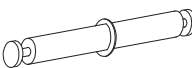

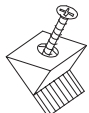


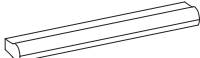
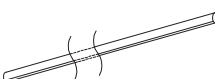



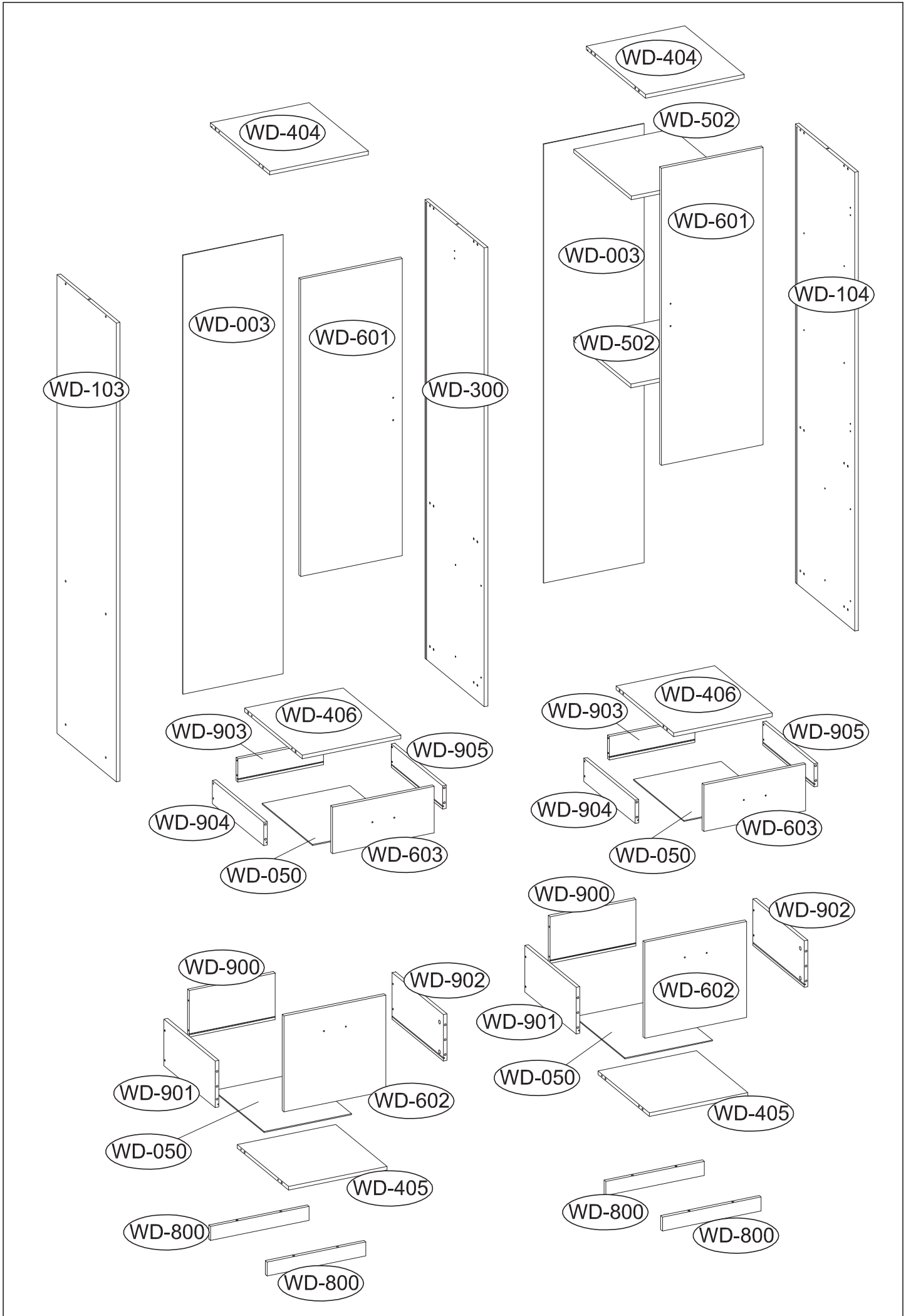
SNOW

03

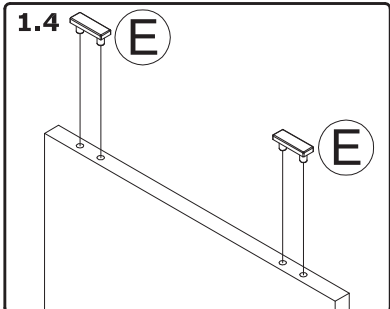
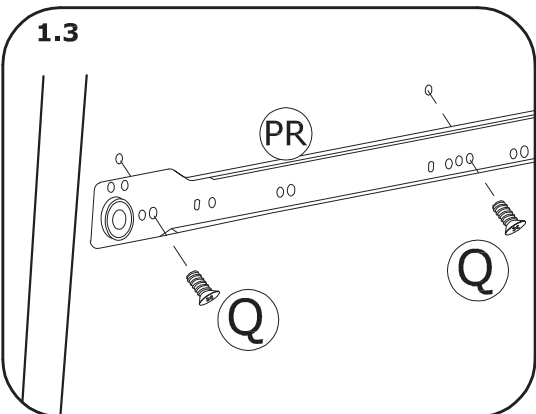
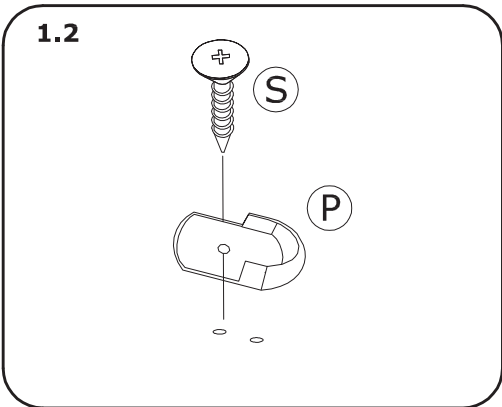
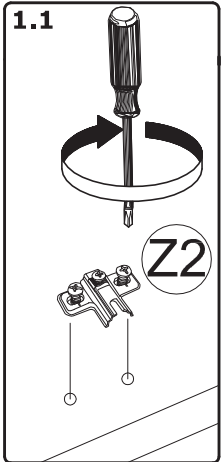
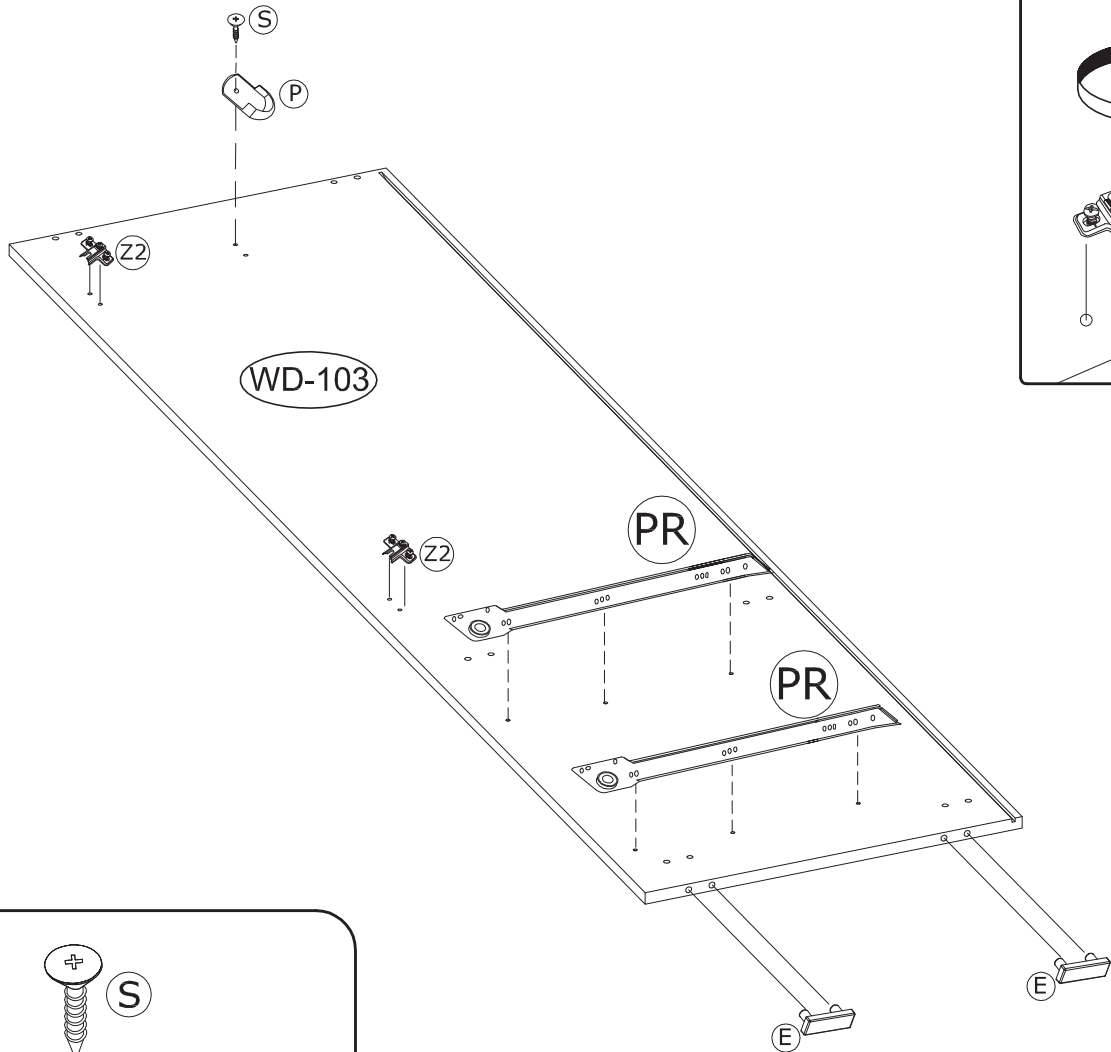
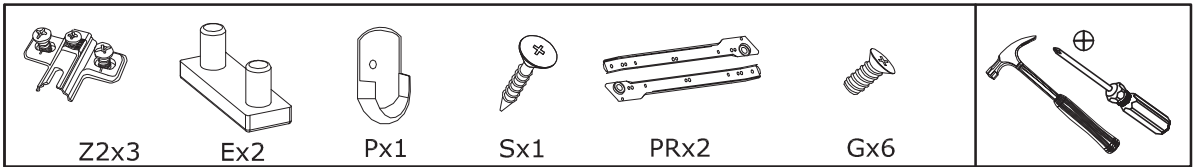




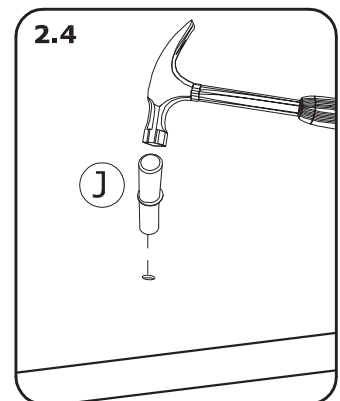
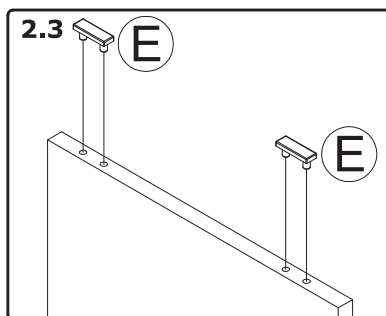
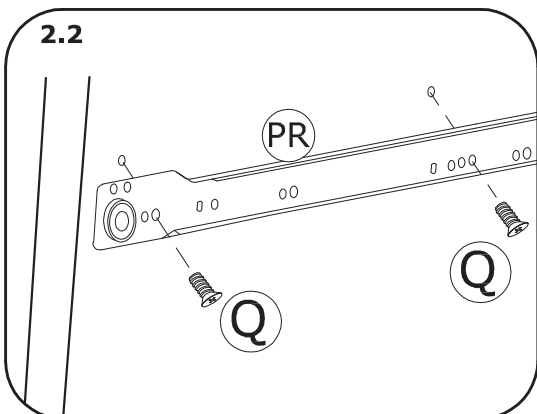
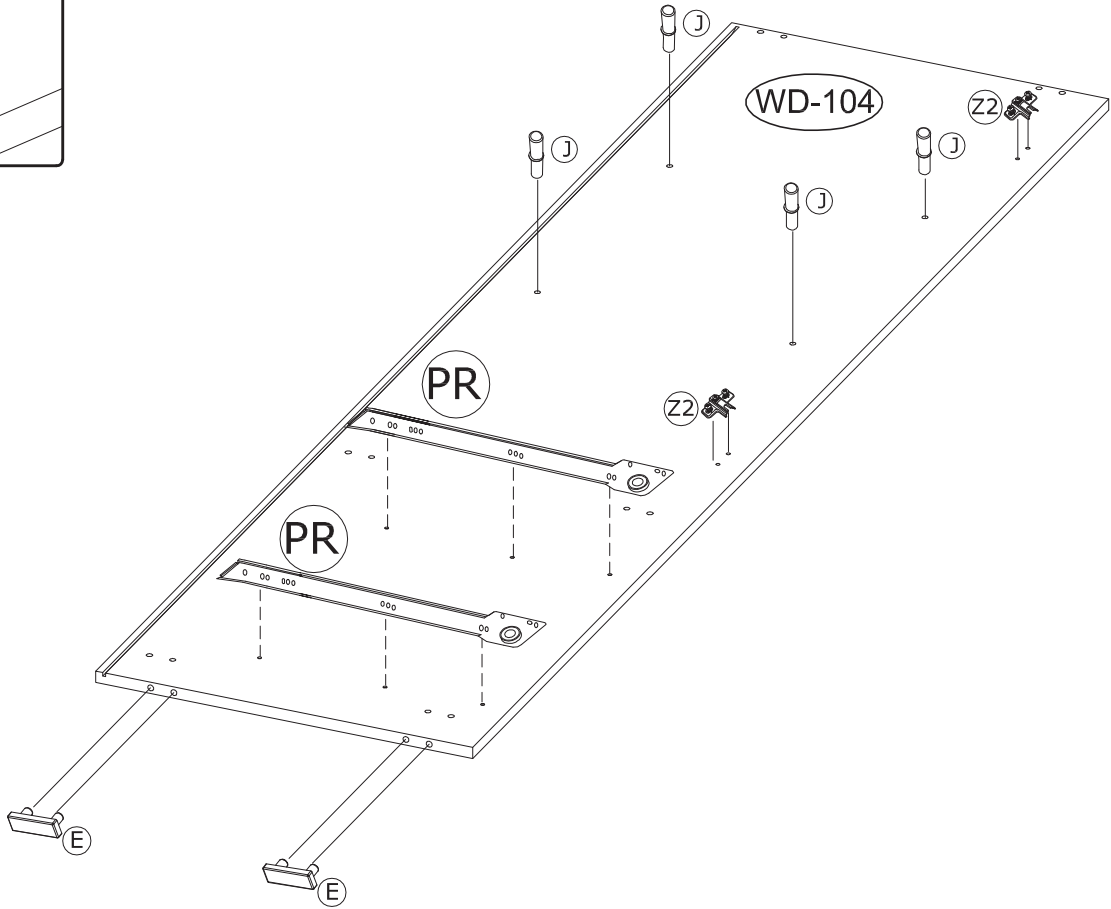
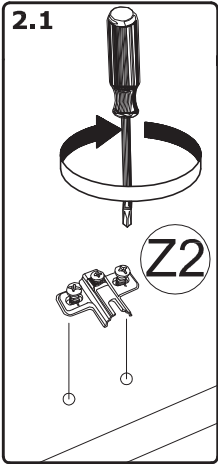
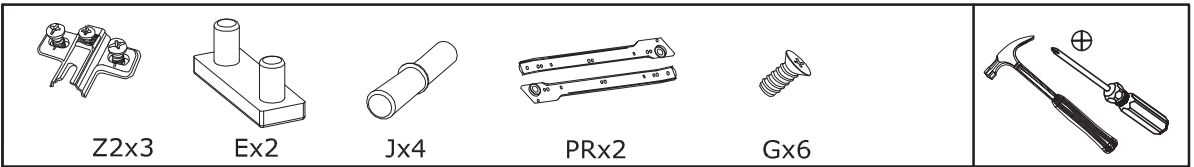
 Ø8x30mm Ax32	 Ø8x50mm A1x6	 Ø15x11mm Bx20	 Ø6.5x36.5mm Dx8
 C1-20	 DD-6	 Ø6,4x50mm T-12	 C-12
 Ox26	 Ø3.5x16mm Hx24	 4,0 mm V1-1	 Ø4,0x25mm Rx12
 Gx4	 Ø6.3x11mm EUx4	 Px2	 5 mm Jx8
 Ex6	 Nx16	 Z1x4	 Z2x4
 Ø3.0x13mm Sx2	 Wx1	 KLx2	 Lx6
 L=424 mm DRx1	 L=450 mm PRx4	 Ø6.0x13,0mm Qx24	



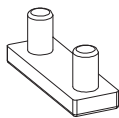
1



2



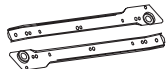
3



Ex2



Jx4



PRx4



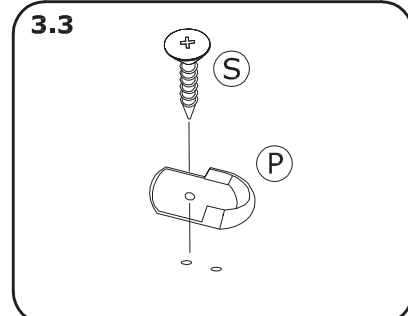
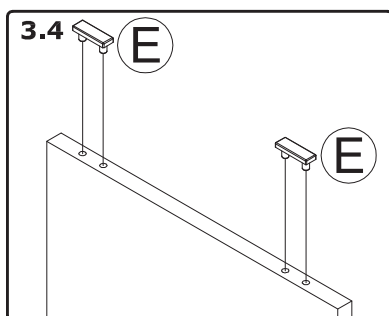
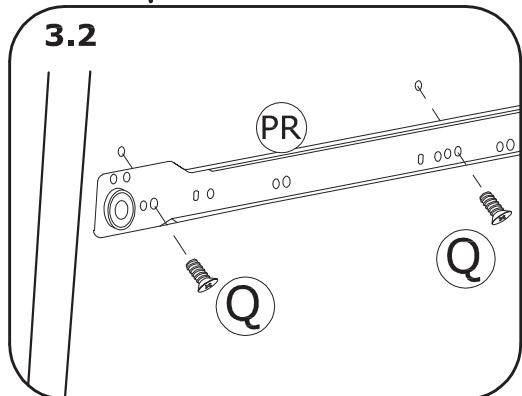
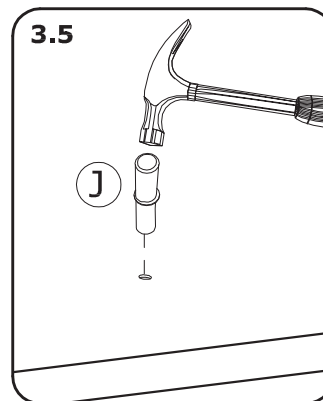
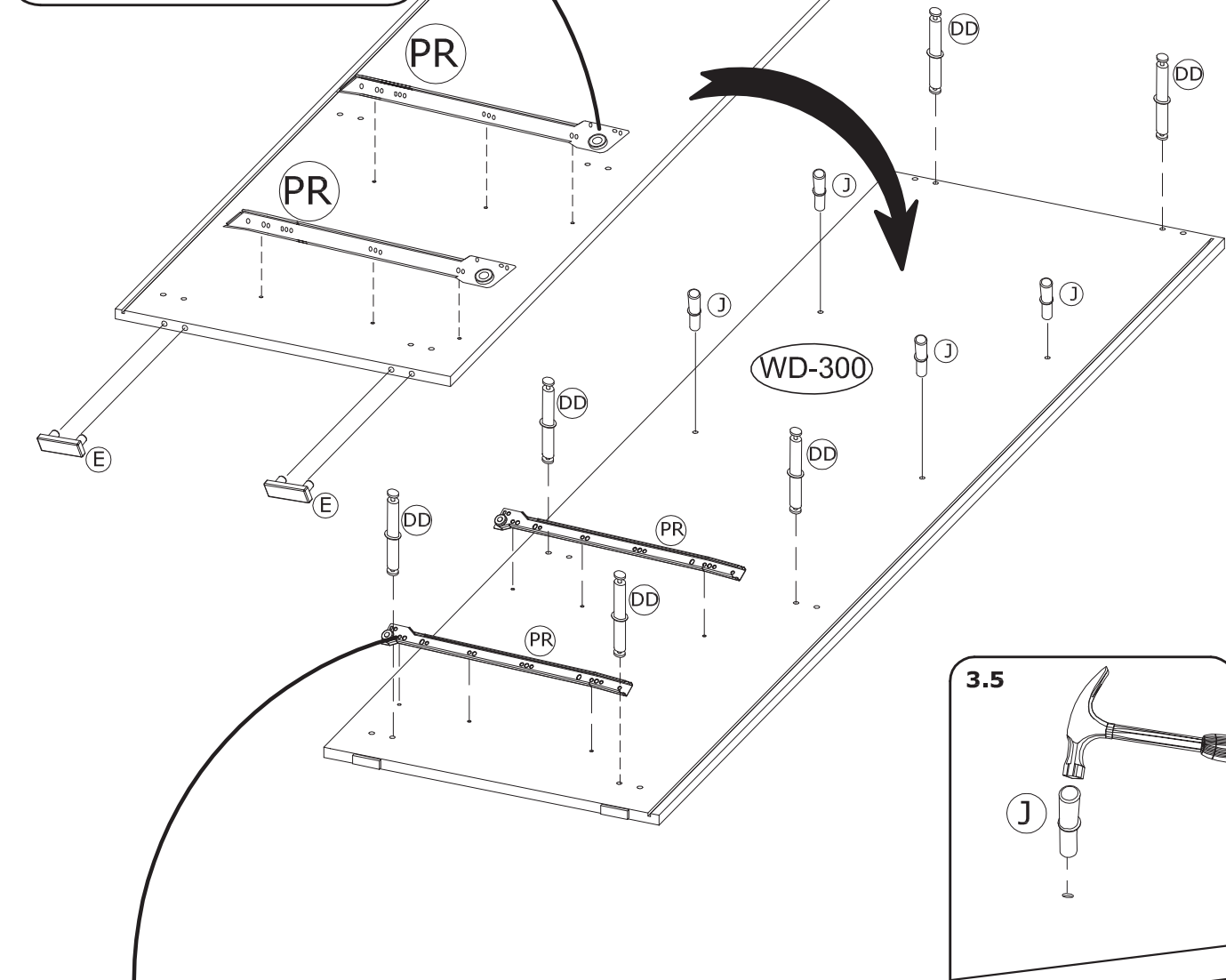
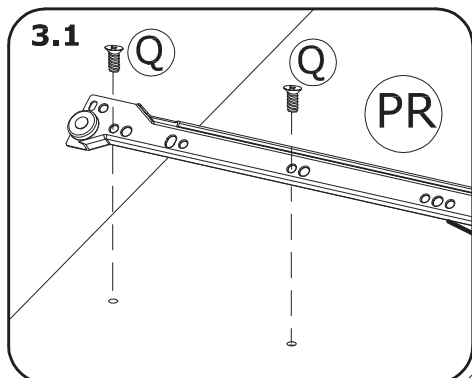
Gx12



Px1



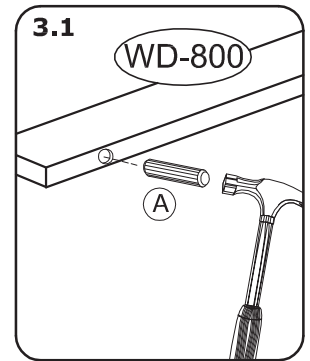
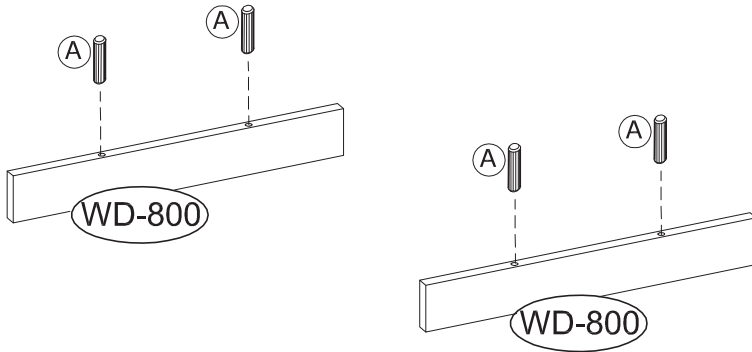
Sx1



3



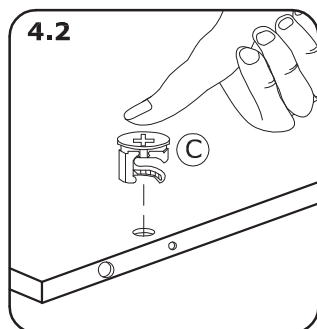
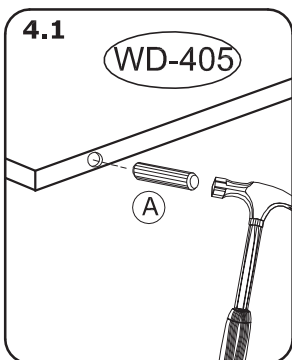
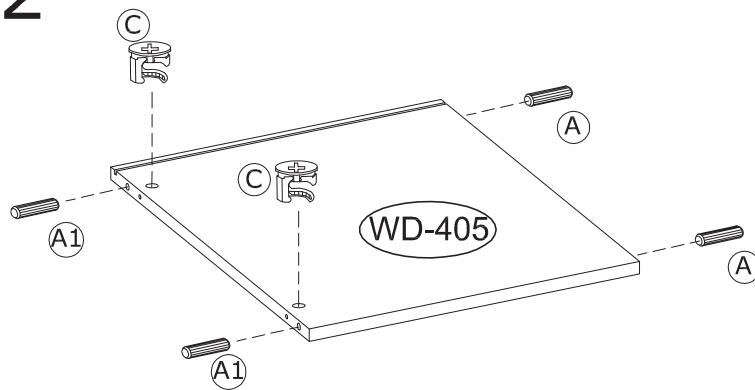
x2



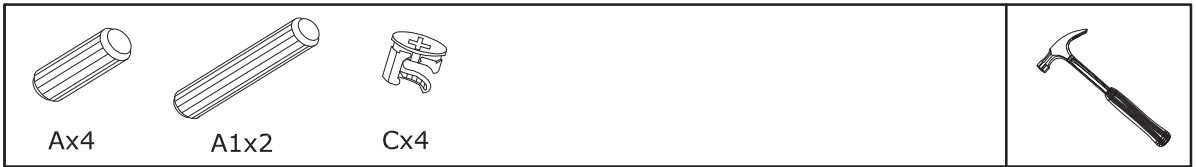
4



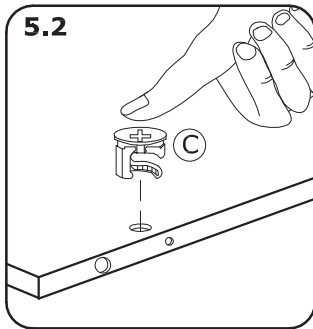
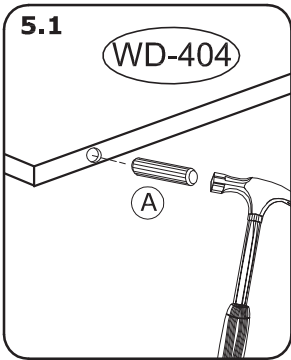
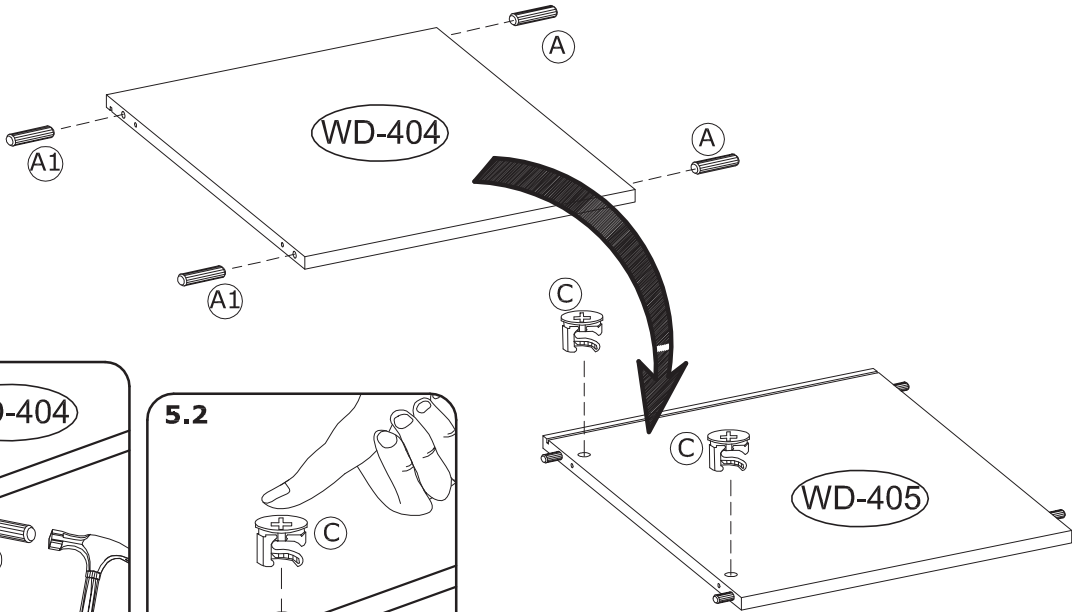
x2



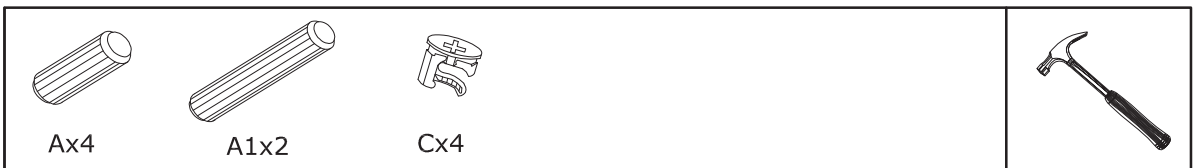
5



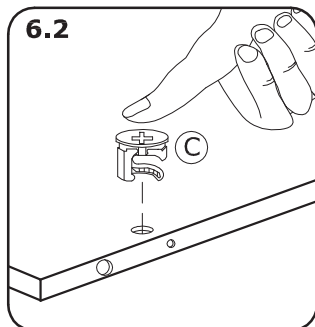
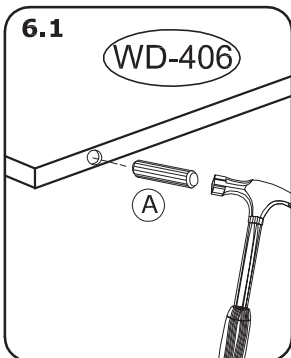
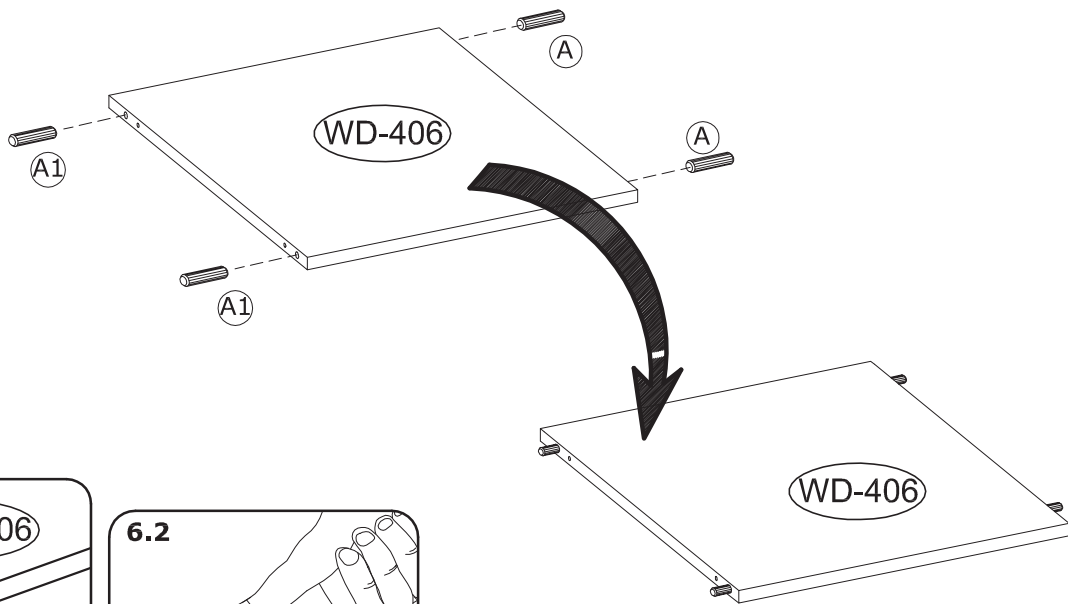
x2



6



x2

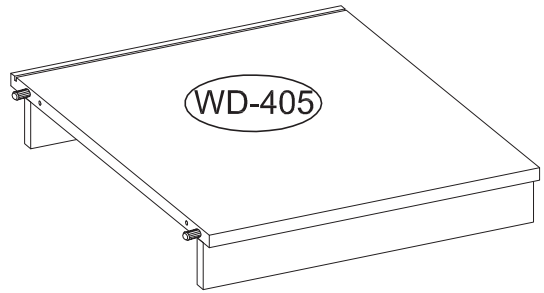
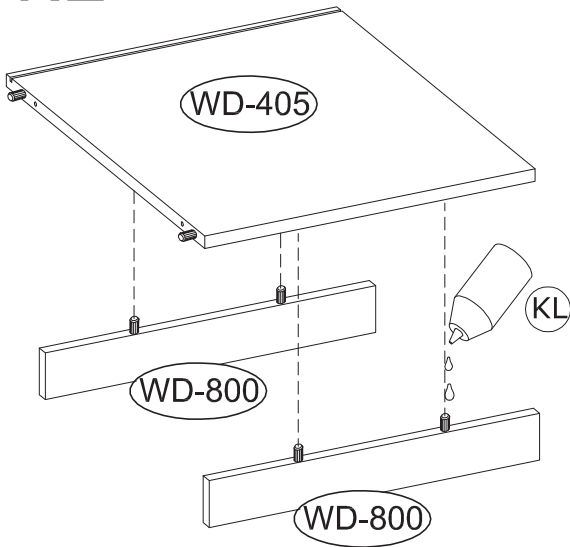


7

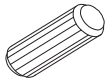


KLx1

x2



8



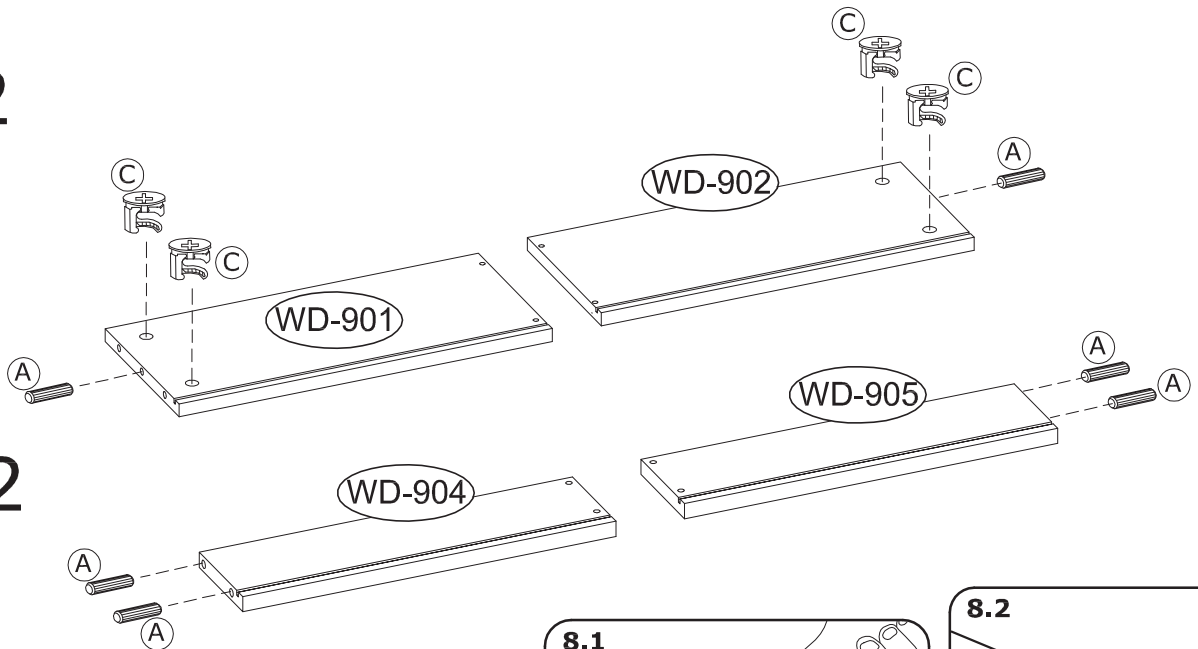
Ax12



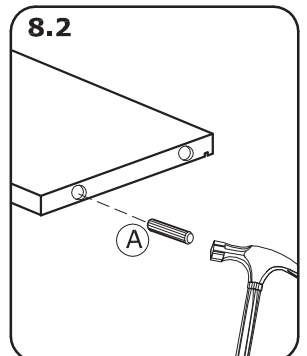
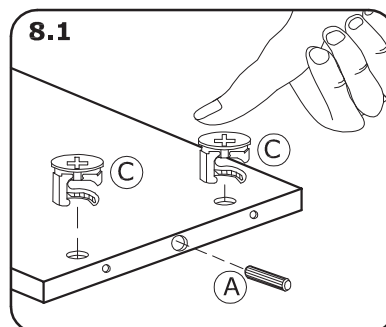
Cx8



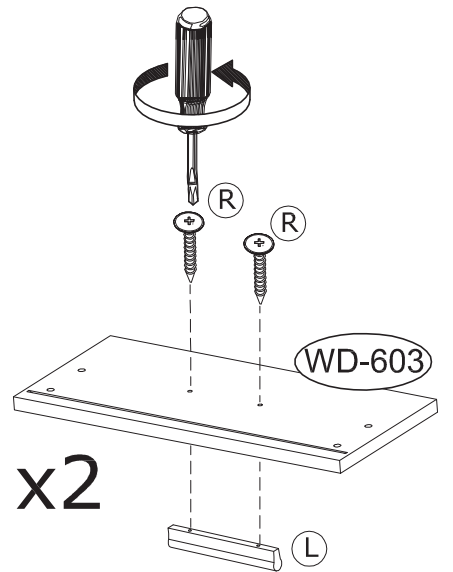
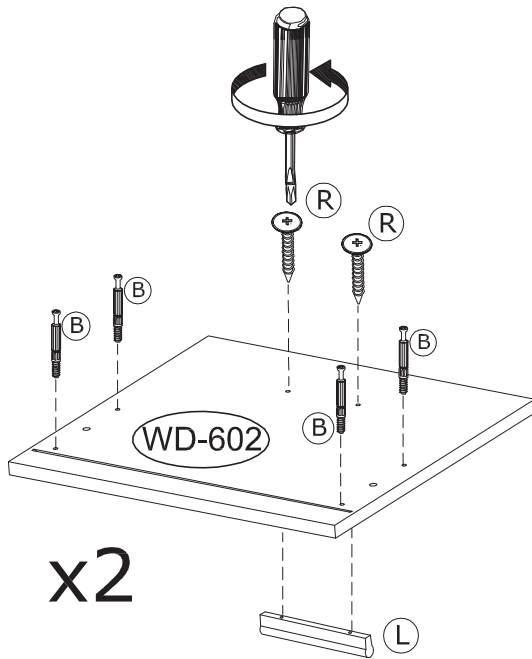
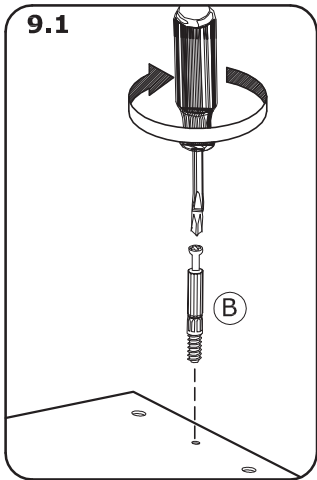
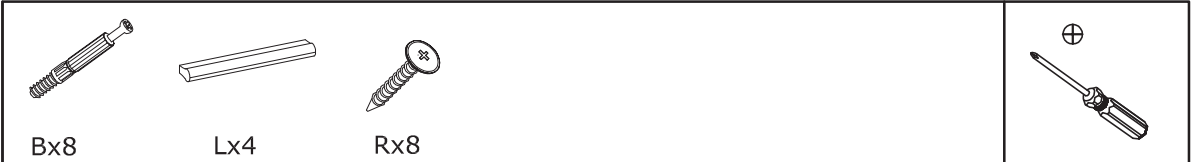
x2



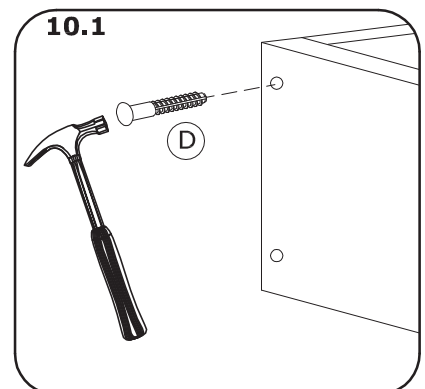
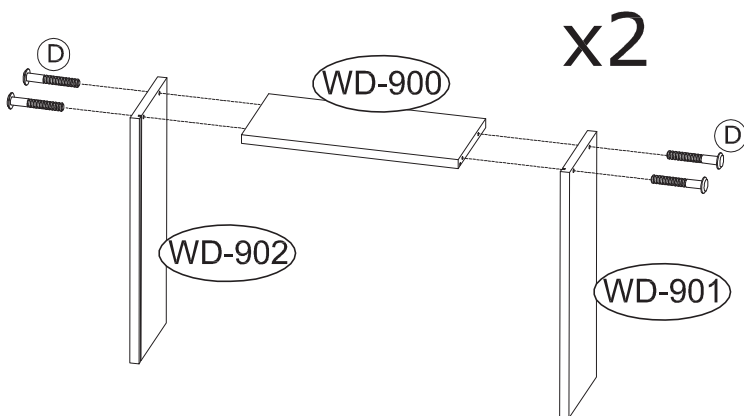
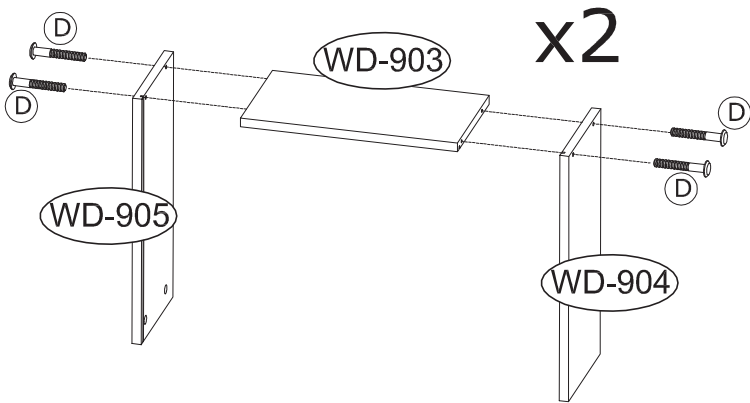
x2



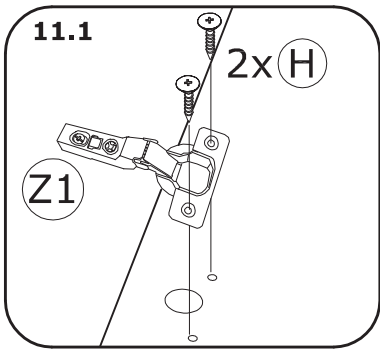
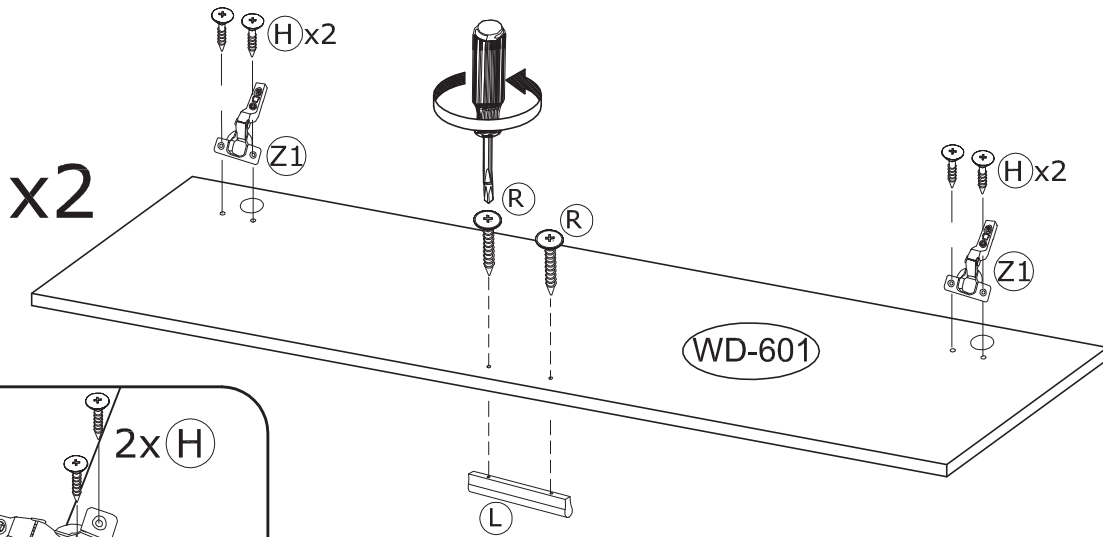
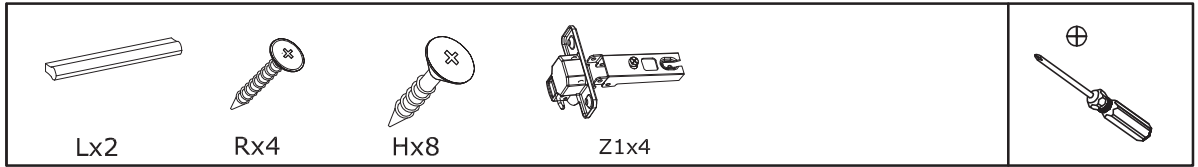
9



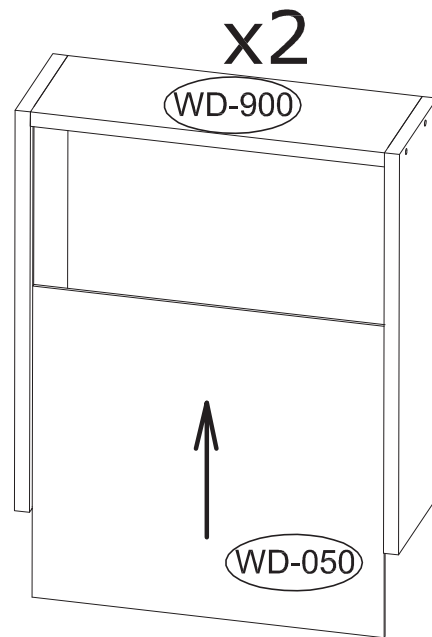
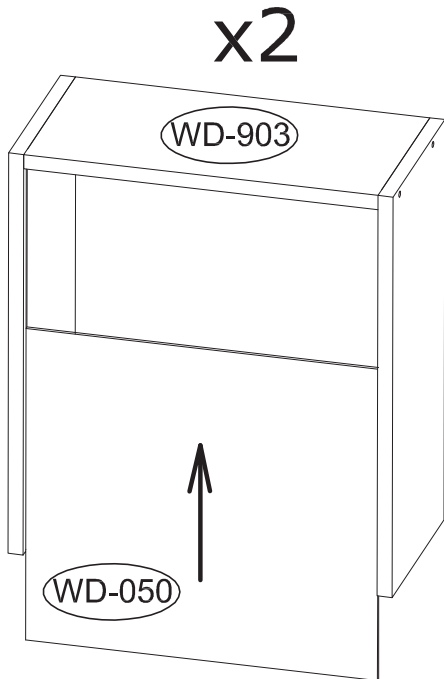
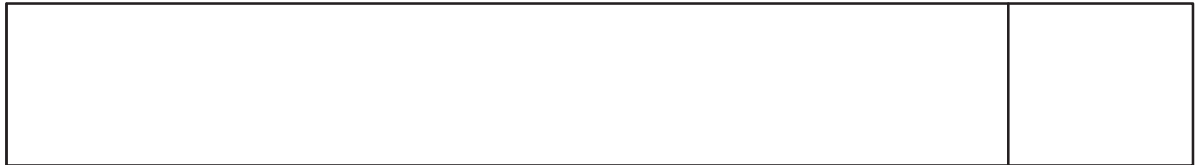
10



11



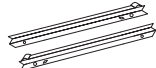
12



13



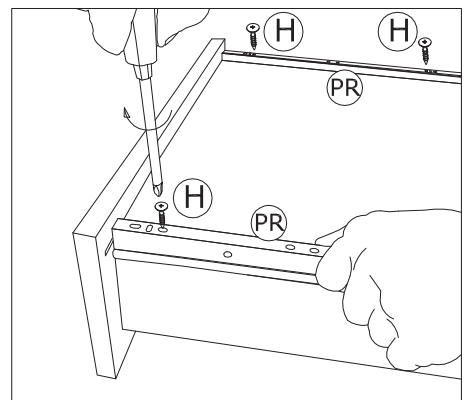
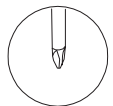
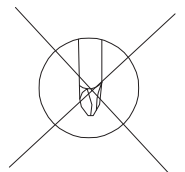
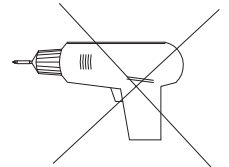
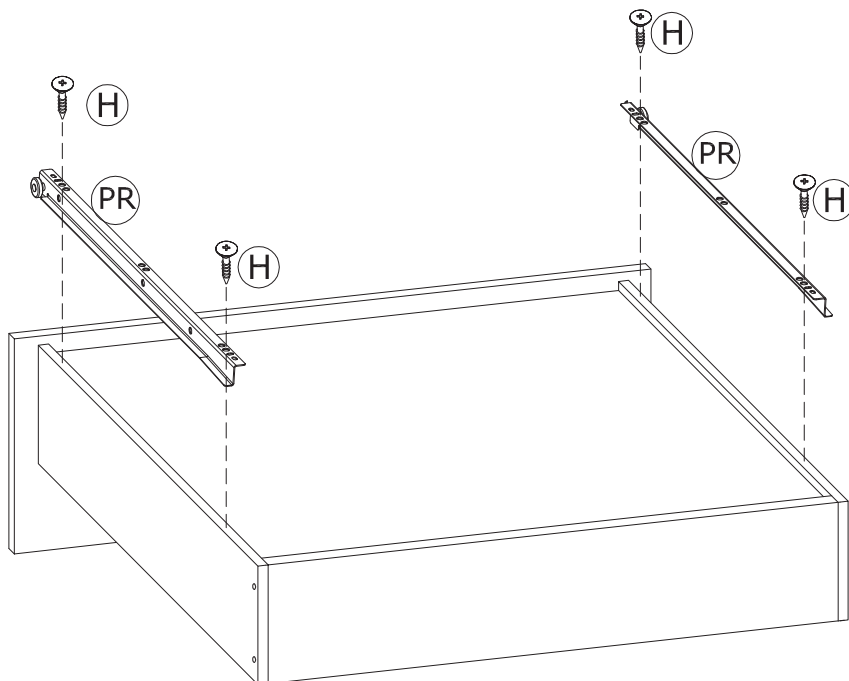
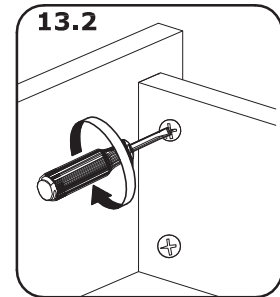
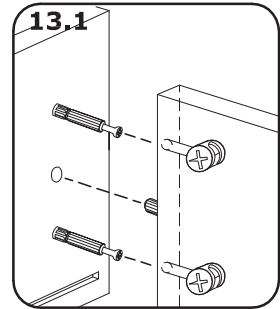
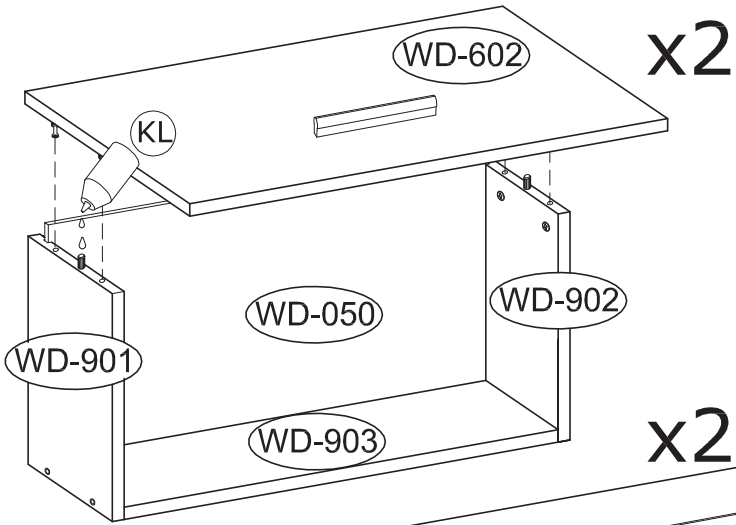
KLx1



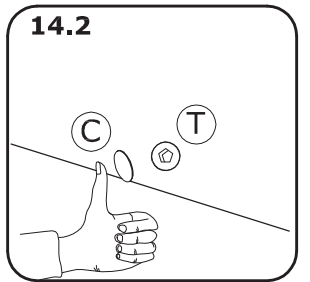
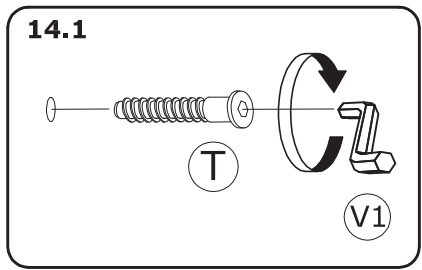
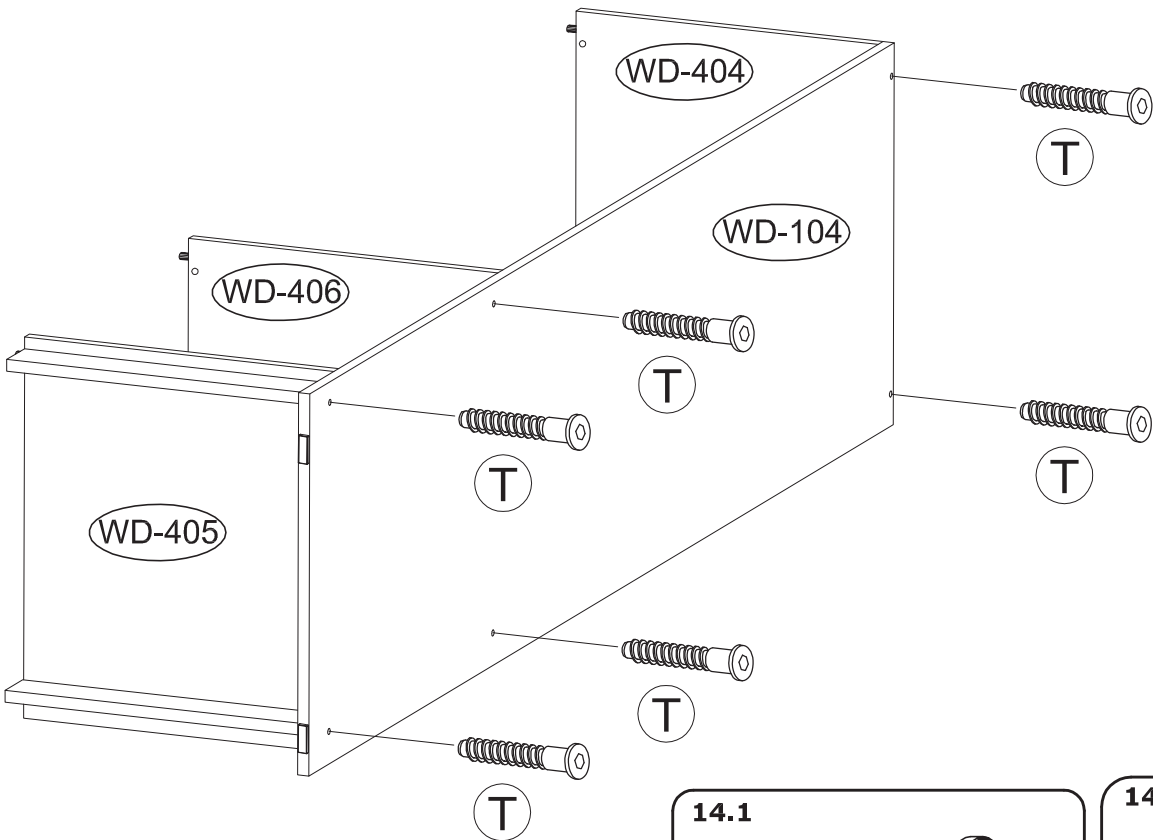
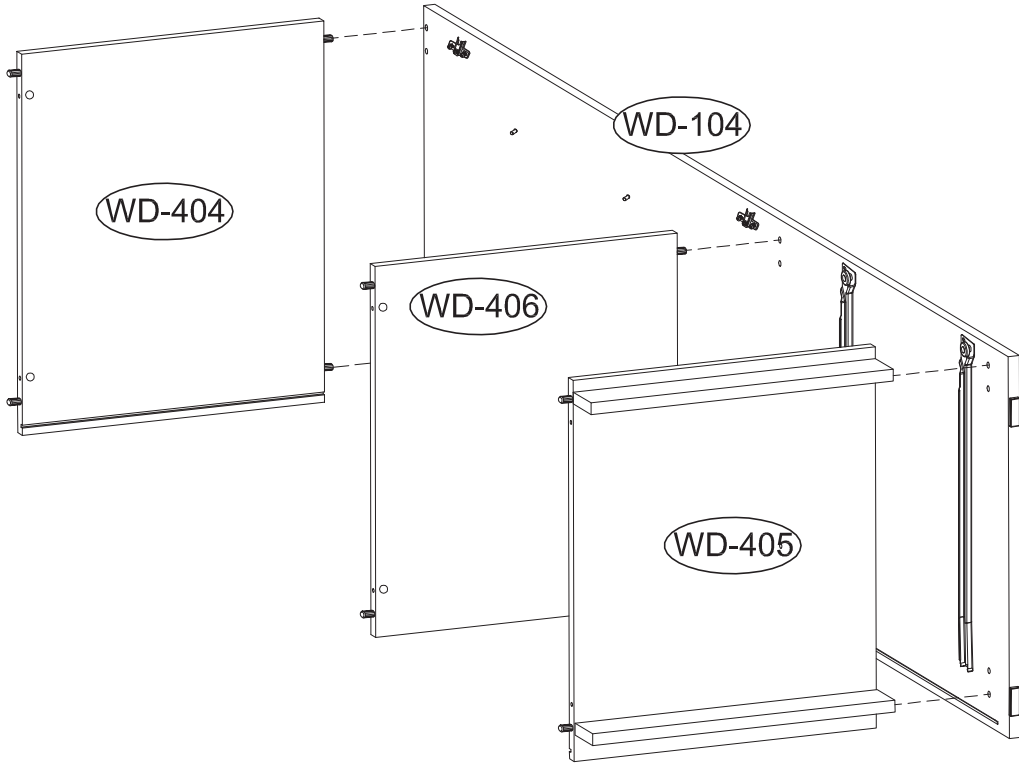
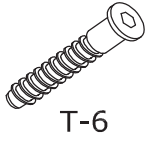
PRx4



Hx8



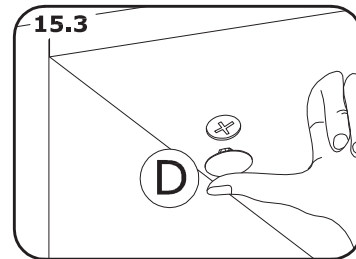
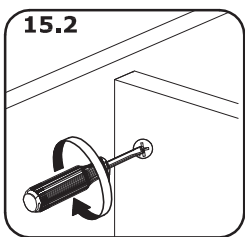
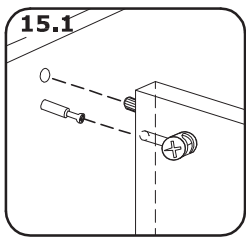
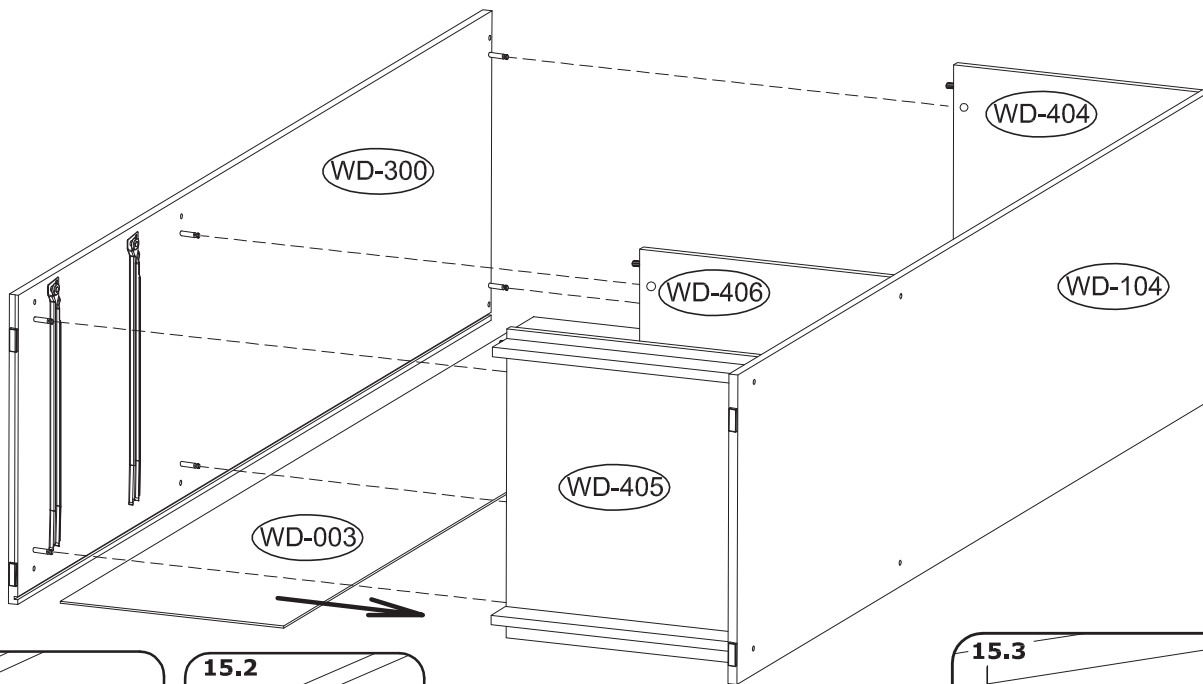
14



15



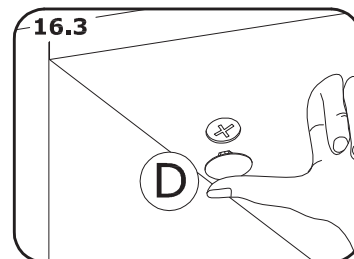
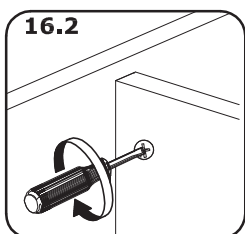
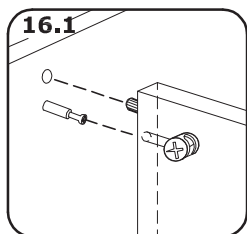
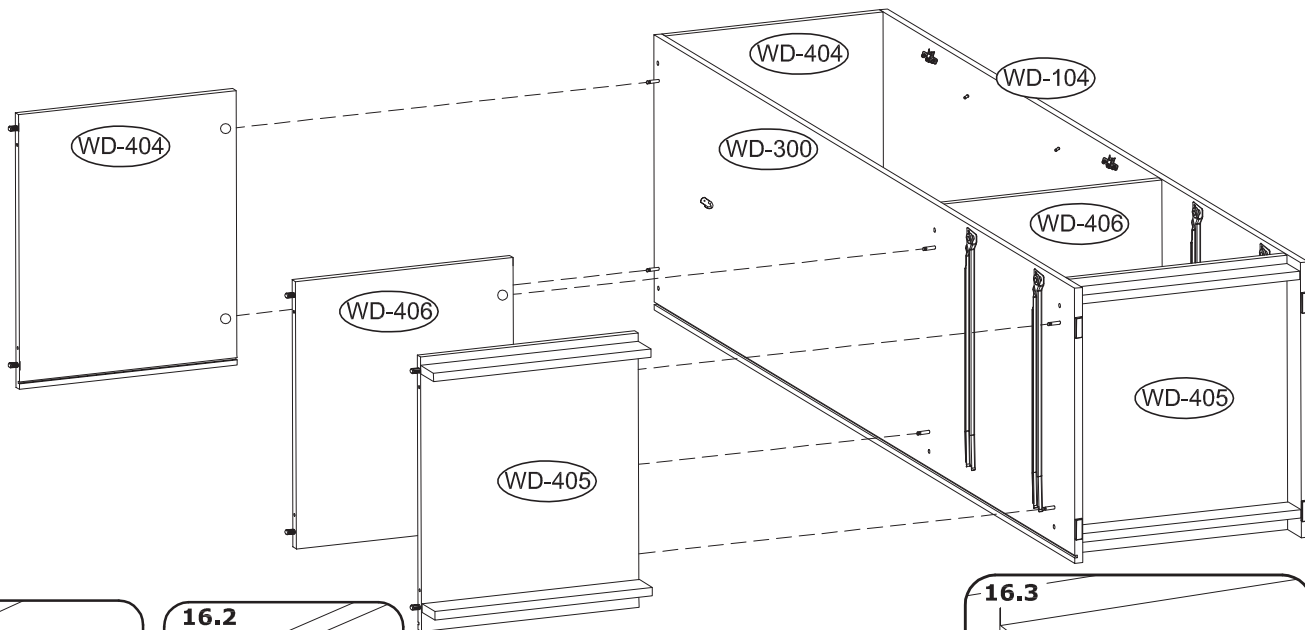
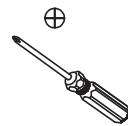
Dx6



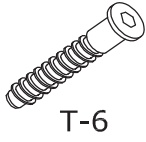
16



Dx6



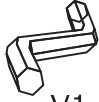
17



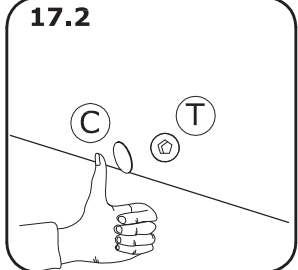
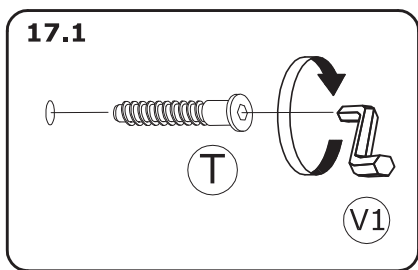
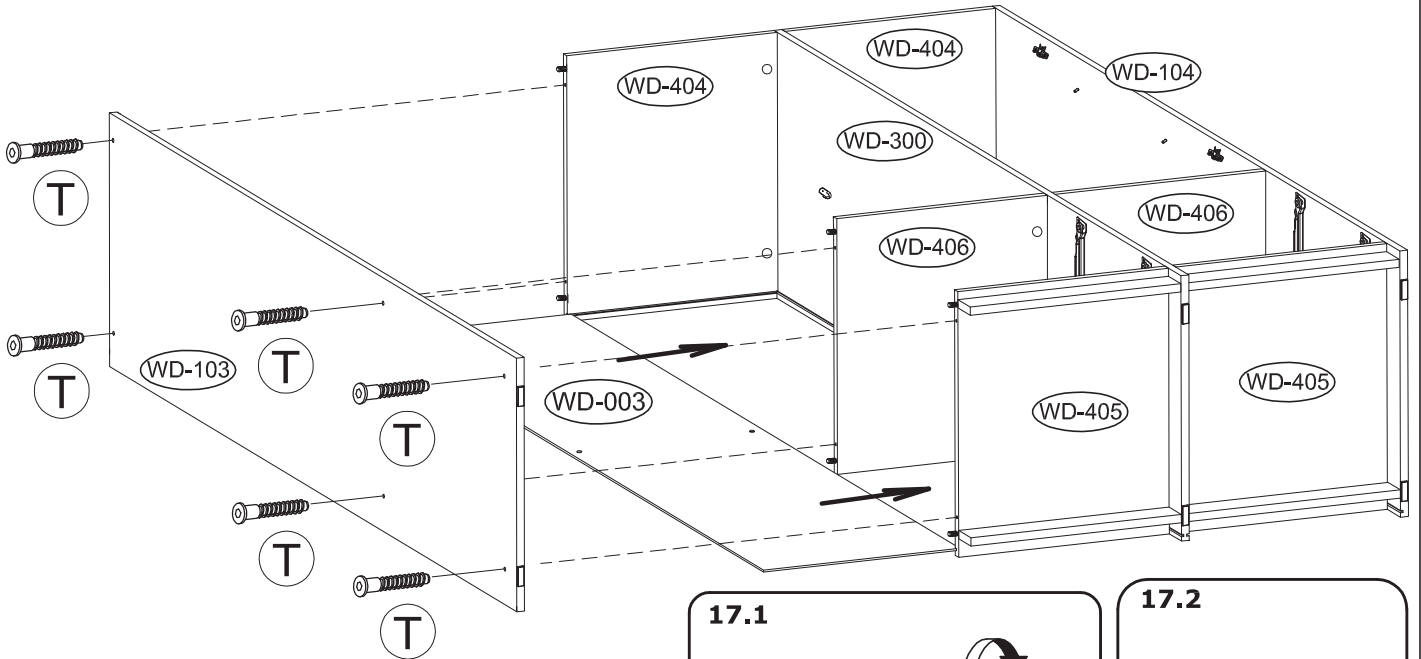
T-6



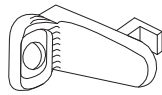
C-6



V1-1



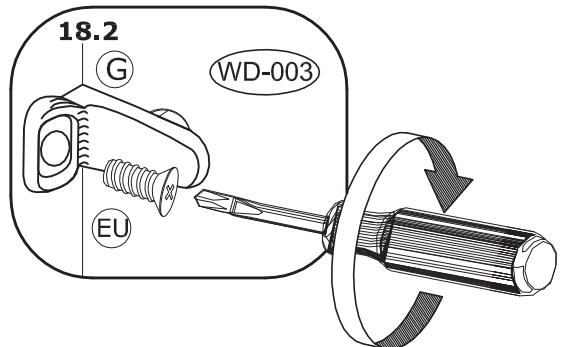
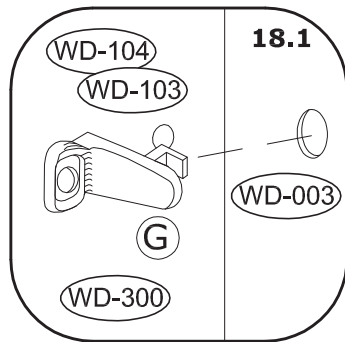
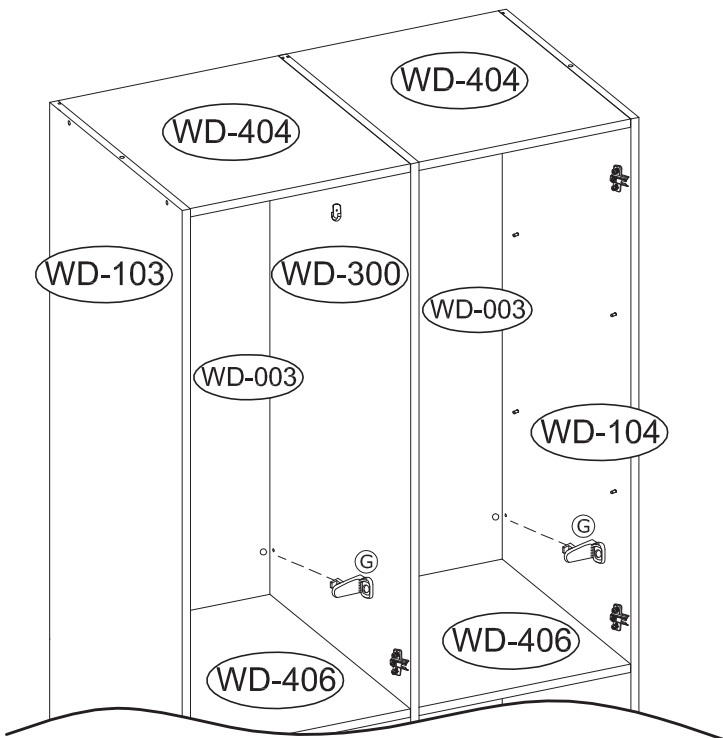
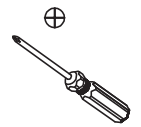
18



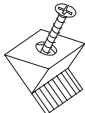
Gx4



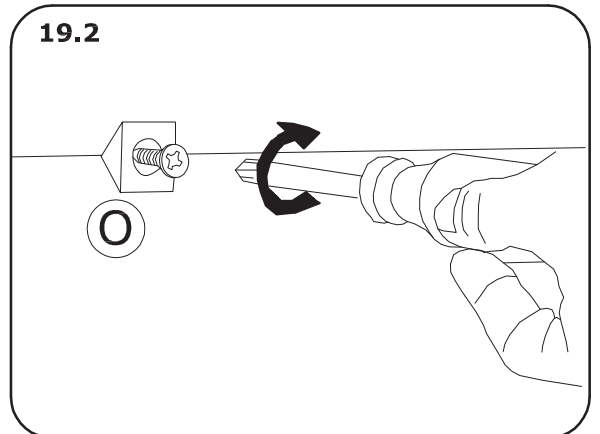
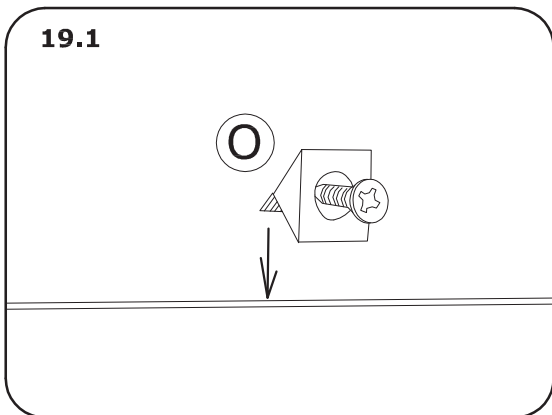
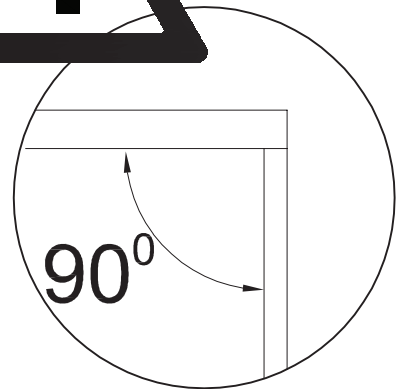
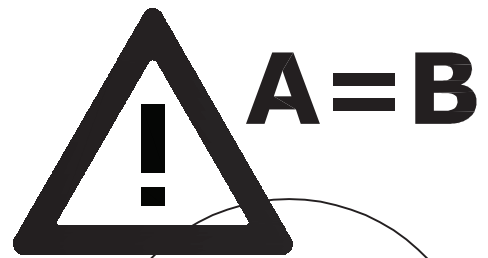
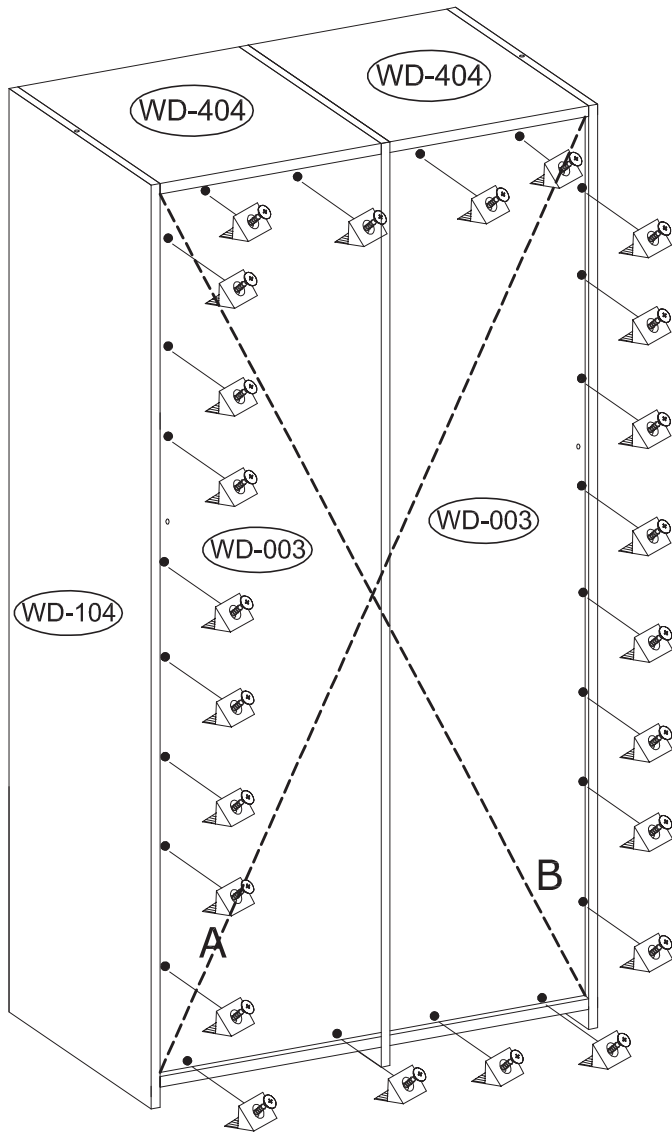
EUx4



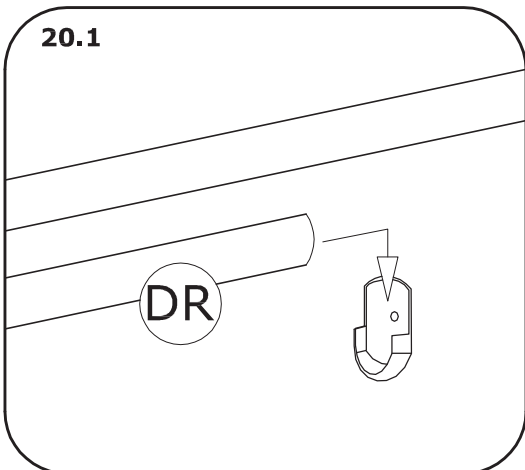
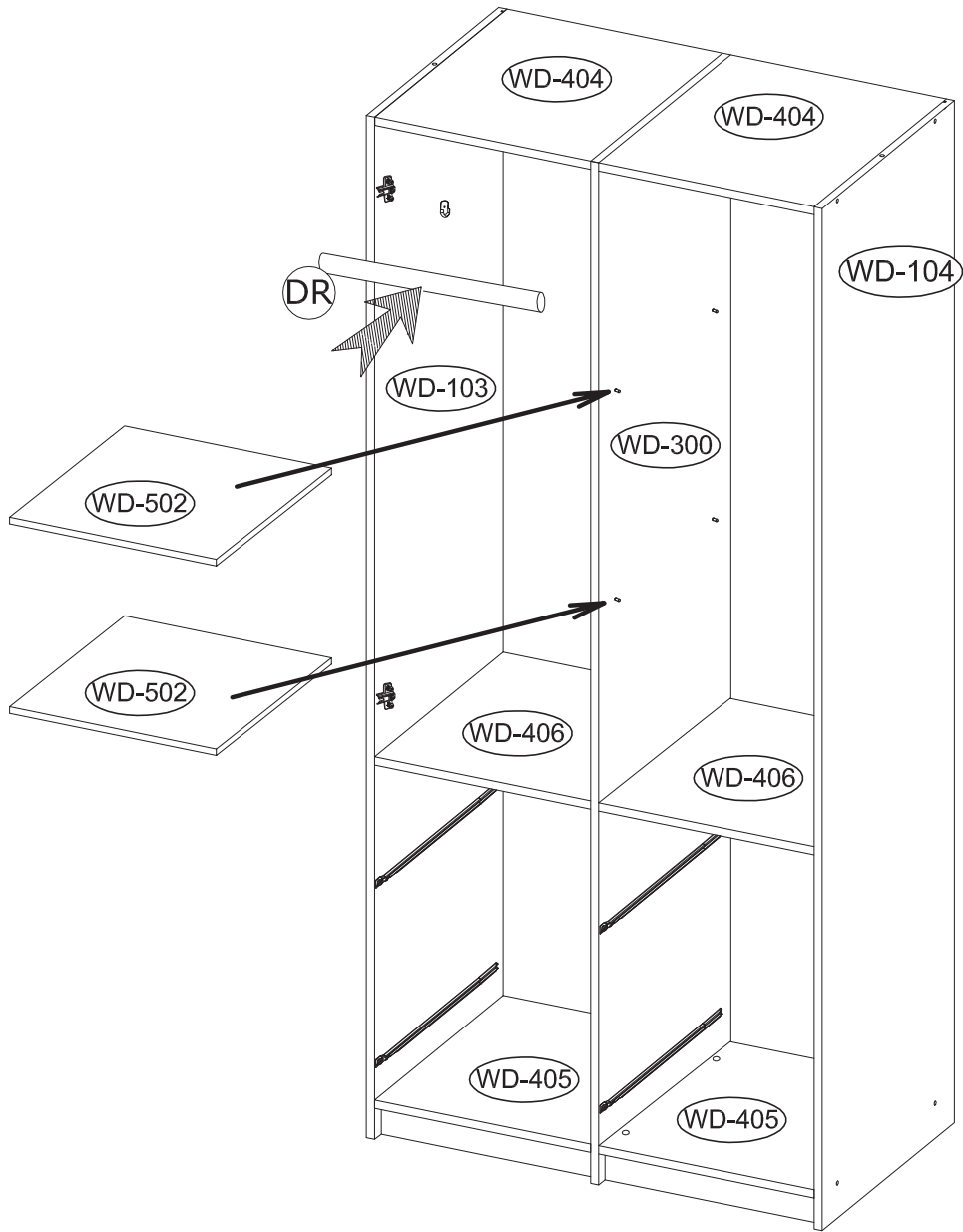
19



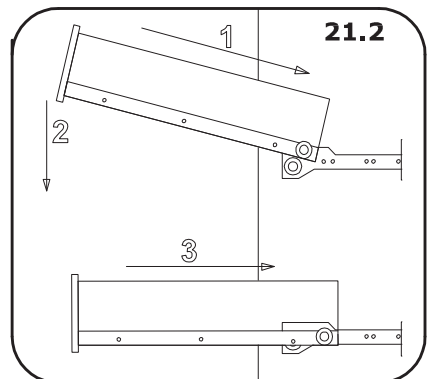
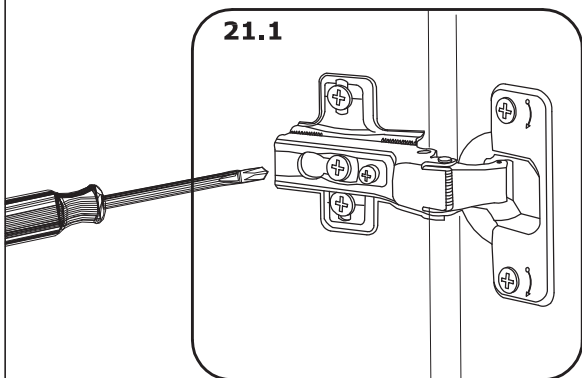
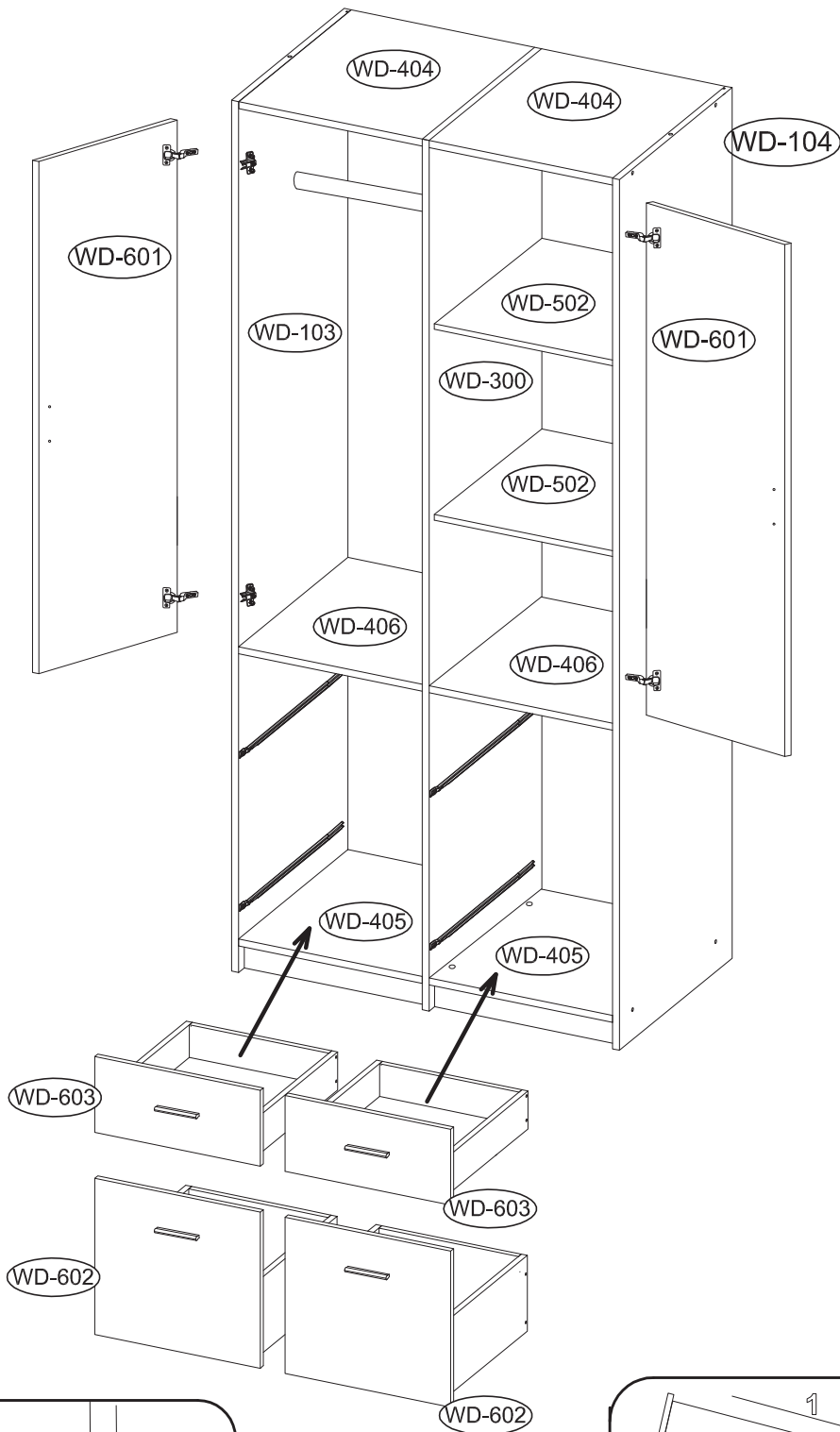
Ox26

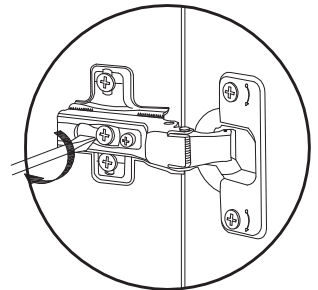
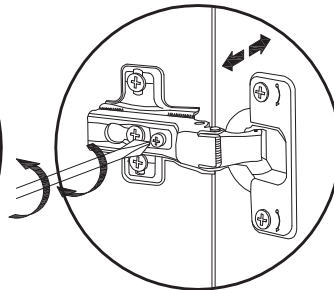
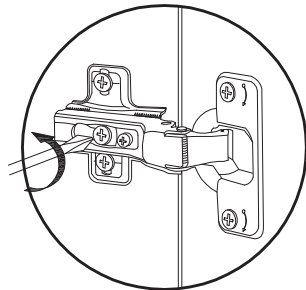
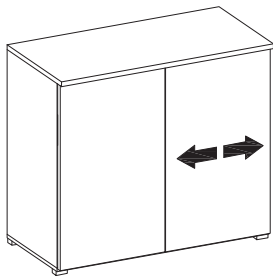
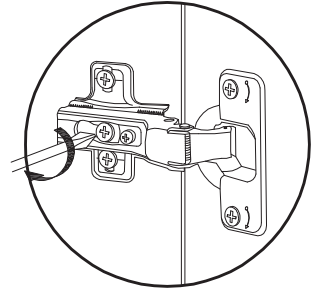
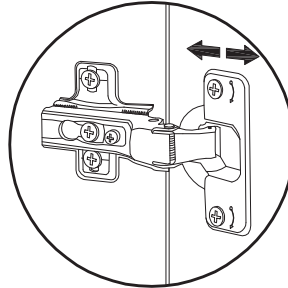
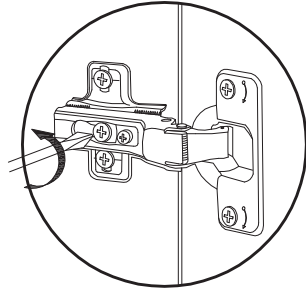
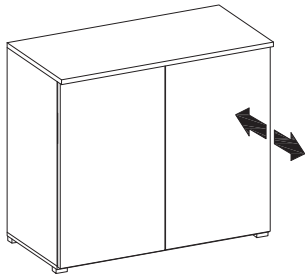
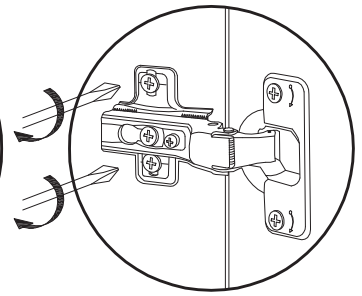
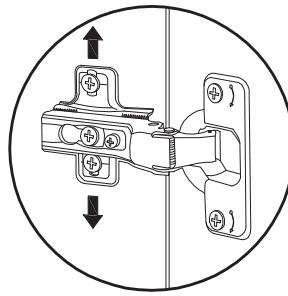
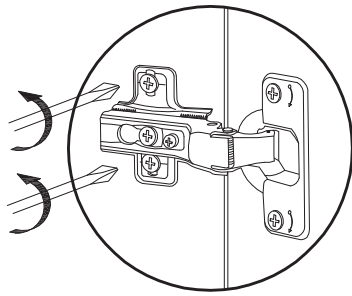
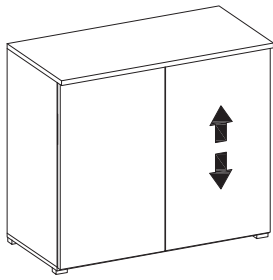


20

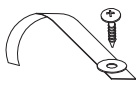


21





22



Wx1

